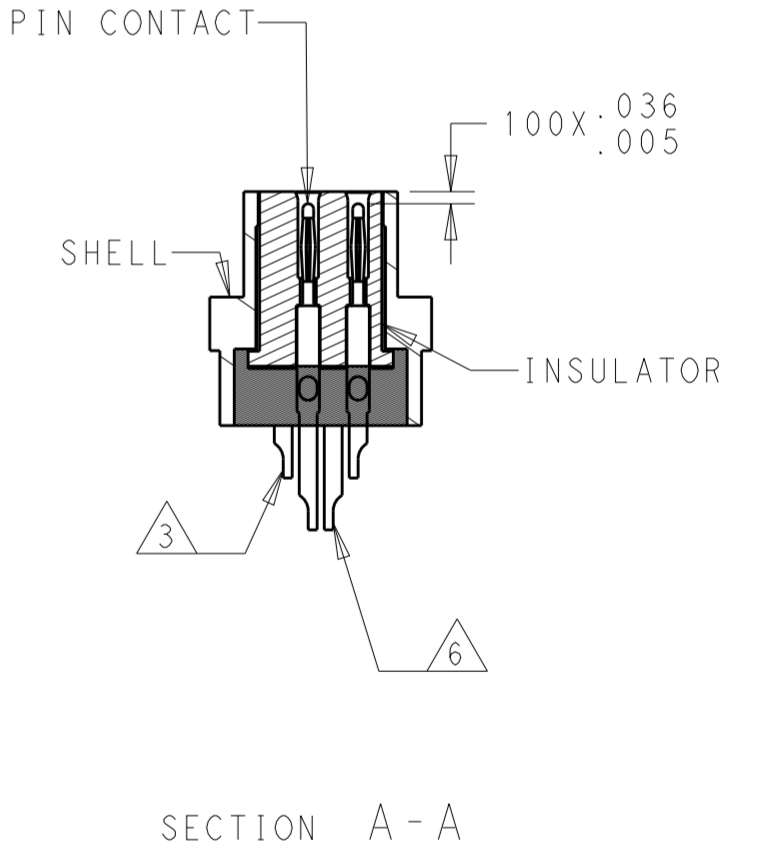
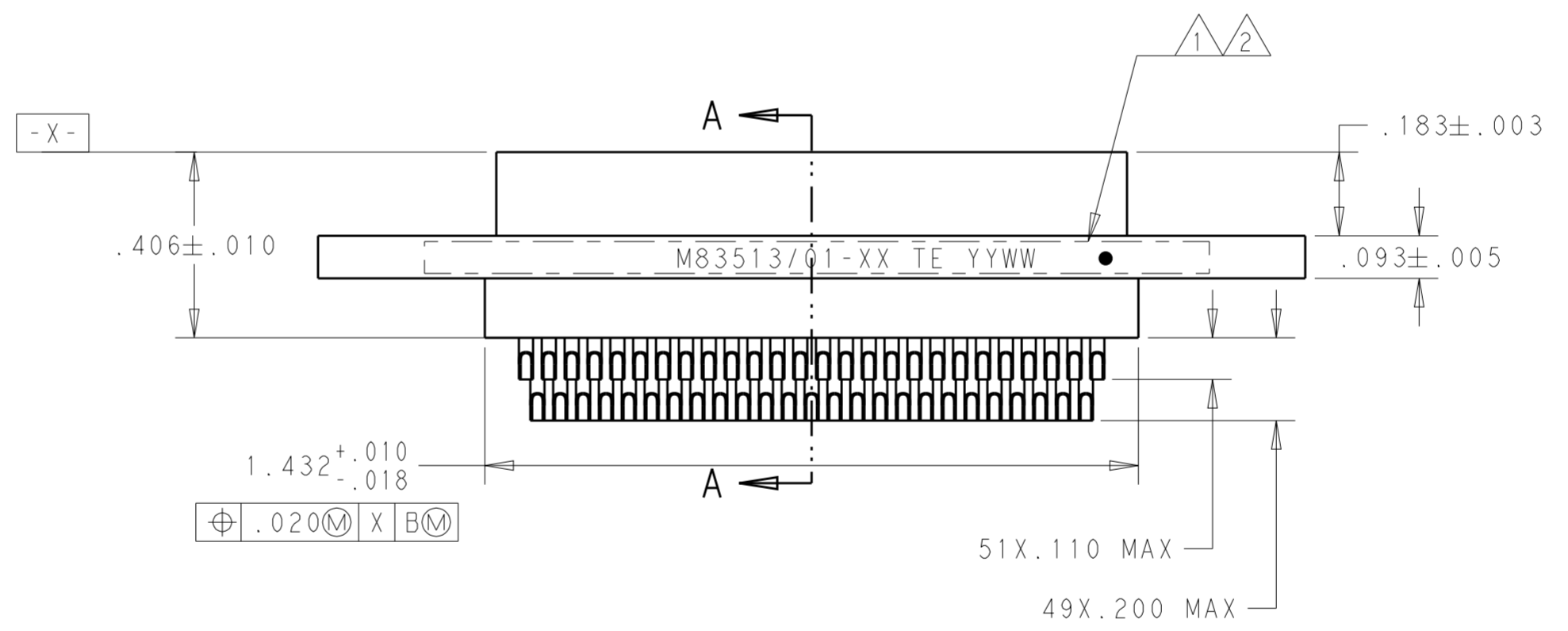
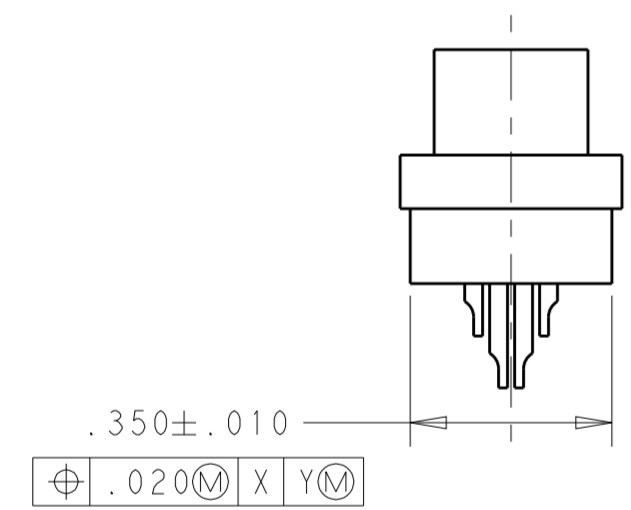
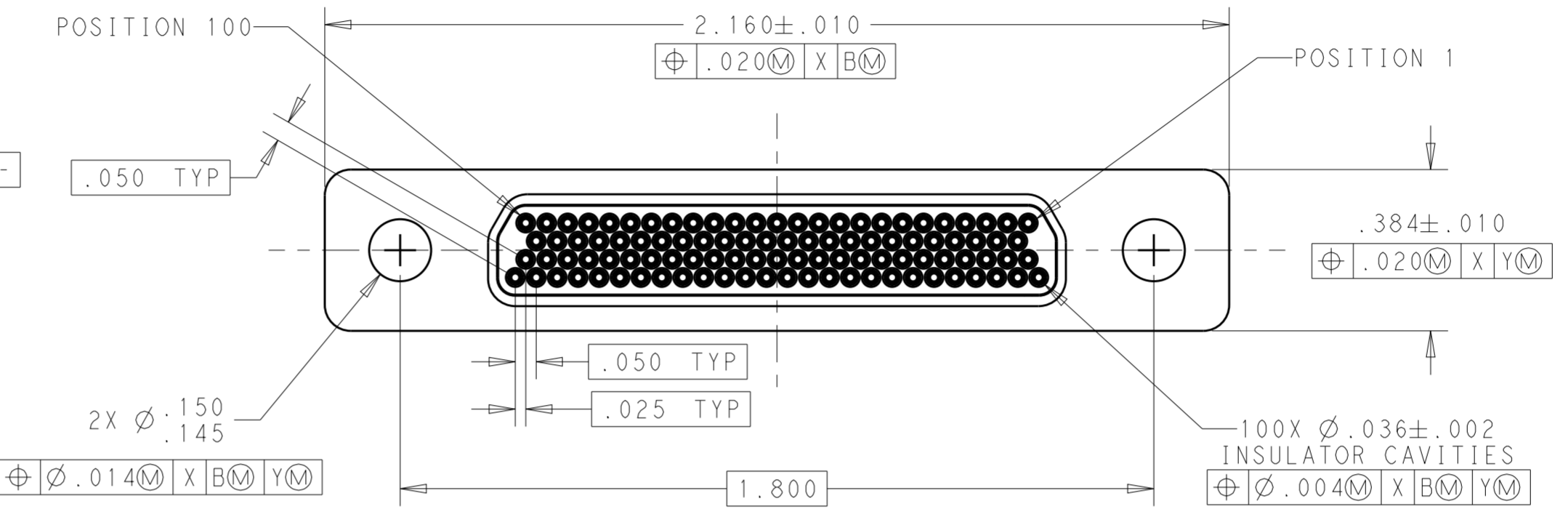
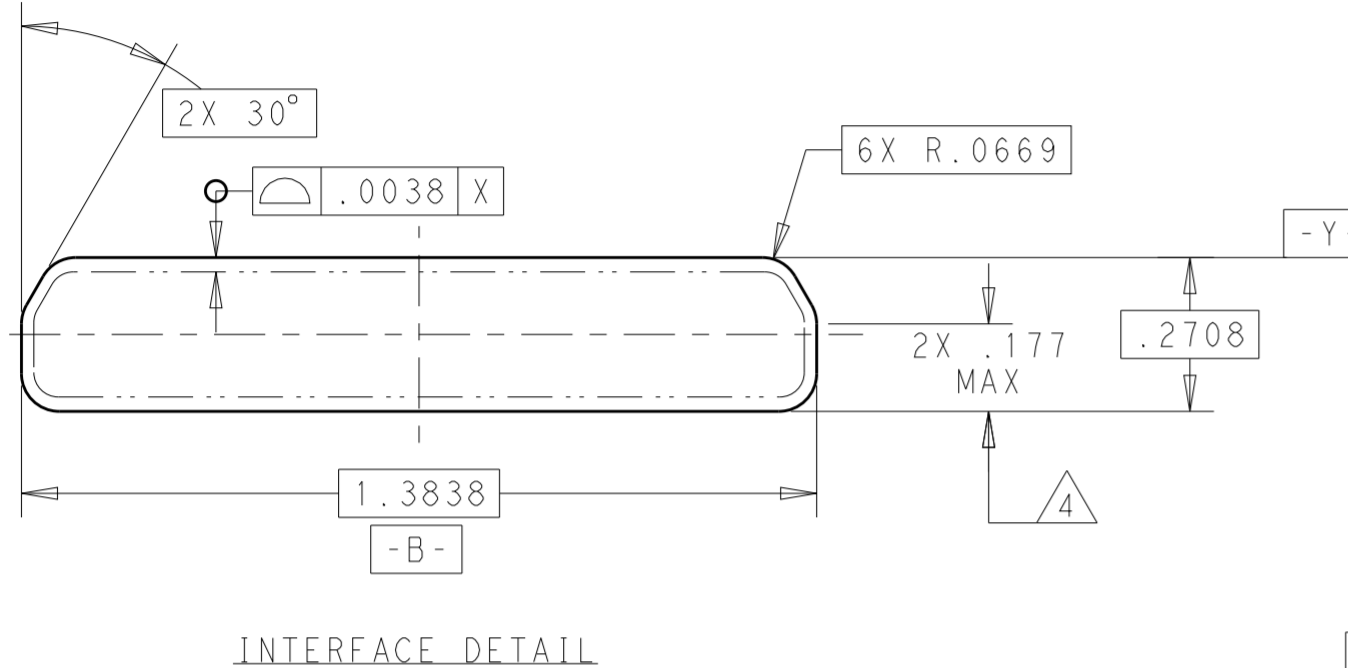


THIS DRAWING IS UNPUBLISHED. RELEASED FOR PUBLICATION 20
 © COPYRIGHT 20 BY - ALL RIGHTS RESERVED.

REVISIONS				
P	LTR	DESCRIPTION	DATE	APVD
C		UPDATE PER ECO-16-009064	07JUN2016	DS CS



- 1 CONNECTOR SHALL BE MARKED IN ACCORDANCE WITH METHOD 1 OF MIL-STD-1285. MARKING SHALL CONTAIN THE MILITARY PIN, CAGE CODE (OR TE), AND DATE CODE. EXAMPLE: M83513/01-XX TE YYWW (WHERE XX IS PART OF THE PIN SHOWN IN THE "MIL-DTL-83513" COLUMN OF THE PART NUMBER TABLE, AND YYWW IS THE DATE CODE). TEXT HEIGHT SHALL BE .035 INCH MINIMUM.
- 2 POSITION 1 SHALL BE INDICATED BY AN IDENTIFIABLE MARK, LOCATED APPROXIMATELY AS SHOWN ON THE POSITION 1 SIDE OF THE CONNECTOR FLANGE. THIS MARK SHALL BE INCLUDED AS PART OF THE PART MARKING INFORMATION.
- 3 EPOXY ENCAPSULATION. EPOXY MAY WICK .050 INCH MAX FOR SOLDER CUPS.
- 4 THIS DIMENSION IS THE THEORETICAL INTERSECTION OF THE TWO ADJACENT SIDES OF THE INTERFACE.
- 5 ALL DIMENSIONS AND REQUIREMENTS ARE PER MIL-DTL-83513/1.
- 6 CHAMFER ON SOLDER POTS ARE PARALLEL WITH THE SIDE OF CONNECTOR WITHIN 10°.

THIS DRAWING IS A CONTROLLED DOCUMENT.		DWN C SCHOLL 21MAR2005	TE Connectivity	
DIMENSIONS: IN		CHK M STORRY 21MAR2005		
TOLERANCES UNLESS OTHERWISE SPECIFIED:		APVD	NAME PLUG ASSEMBLY MICRO-D PER MIL-DTL-83513/01 MCKS SERIES, 100 POSITION	
0 PLC ±-		PRODUCT SPEC	SIZE A298278	
1 PLC ±-		APPLICATION SPEC	CAGE CODE C-1532216	
2 PLC ±.010		WEIGHT	DRAWING NO -	
3 PLC ±.005		CUSTOMER DRAWING	RESTRICTED TO -	
4 PLC ±-		SCALE 3:1	SHEET 1 OF 2	
ANGLES ±1°			REV C	
FINISH				

THIS DRAWING IS UNPUBLISHED. RELEASED FOR PUBLICATION 20

© COPYRIGHT 20 BY - ALL RIGHTS RESERVED.

REVISIONS				
P	LTR	DESCRIPTION	DATE	APVD
		SEE SHEET 1		



TE PART NUMBER	MIL-DTL-83513 PIN	MICRODOT P/N	MCKS DESCRIPTION
1532216-1	M83513/01-HN	094-6925-0000	MCKS-N1-B-100PS
1532216-2	M83513/01-HC	094-6935-0000	MCKS-C2-B-100PS
1532216-3	M83513/01-HP	094-6945-0000	MCKS-P1-B-100PS

THIS DRAWING IS A CONTROLLED DOCUMENT.		DWN C SCHOLL 21MAR2005	TE Connectivity	
DIMENSIONS: IN		CHK -		
		TOLERANCES UNLESS OTHERWISE SPECIFIED:		APVD M. STORRY 21MAR2005
		0 PLC ±-	NAME PLUG ASSEMBLY	
		1 PLC ±-	PRODUCT SPEC MICRO-D PER MIL-DTL-83513/01	
		2 PLC ±.010	MCKS SERIES, 100 POSITION	
		3 PLC ±.005	APPLICATION SPEC	SIZE A2
		4 PLC ±-	RESTRICTED TO	CAGE CODE 98278
		ANGLES ±1°	DRAWING NO C-1532216	SCALE 3:1
MATERIAL		FINISH	WEIGHT	SHEET 2 OF 2
			CUSTOMER DRAWING	REV C

X-ON Electronics

Largest Supplier of Electrical and Electronic Components

Click to view similar products for [D-Sub Micro-D Connectors](#) category:

Click to view products by [TE Connectivity](#) manufacturer:

Other Similar products are found below :

[M24308/4-6F](#) [65-1920-15](#) [M83513/03-G12N](#) [M83513/04-D11C](#) [M83513/04-G04C](#) [M83513/22-D01NP](#) [664020C06F060](#) [6R2004A30F015](#)
[6R4006A28A120](#) [704002A03F200](#) [705001A13F120](#) [7-1532020-5](#) [748567-1-P](#) [MDB1-9SH001](#) [MDM-100PH003L](#) [MDM-15PBS-L58](#)
[MDM-15PCBRM7T](#) [MDM-15PH001M7-A174](#) [MDM-15PH003B-A174](#) [MDM-15SH001L](#) [MDM-15SH003A](#) [MDM-15SH004B](#) [MDM-](#)
[15SH048B](#) [MDM-25PH003B-A174](#) [MDM-25SH003F](#) [MDM-37PH006L-A174](#) [MDM-37SH003K](#) [MDM-51PSF](#) [MDM-51SH046B](#) [MDM-](#)
[9PH003M7](#) [MDM-9SH001P](#) [MDM-9SH006B](#) [790-027SH-10P4MEP](#) [790-041PJ-25P2MPA](#) [790-043PJ-7P7MPB](#) [791-004SH-66MSA](#)
[7R3A00A19A1201](#) [7R5006A19A120](#) [803000C02M020](#) [803001B02M040](#) [8030N1A09M020](#) [804001B03M100](#) [804006B03M100](#)
[804006C02M030](#) [MLDM2L-21SCBRP-.110](#) [85043GULSR](#) [883020E03M030](#) [883031D01M030](#) [883033B03M020](#) [884030A09M040](#)