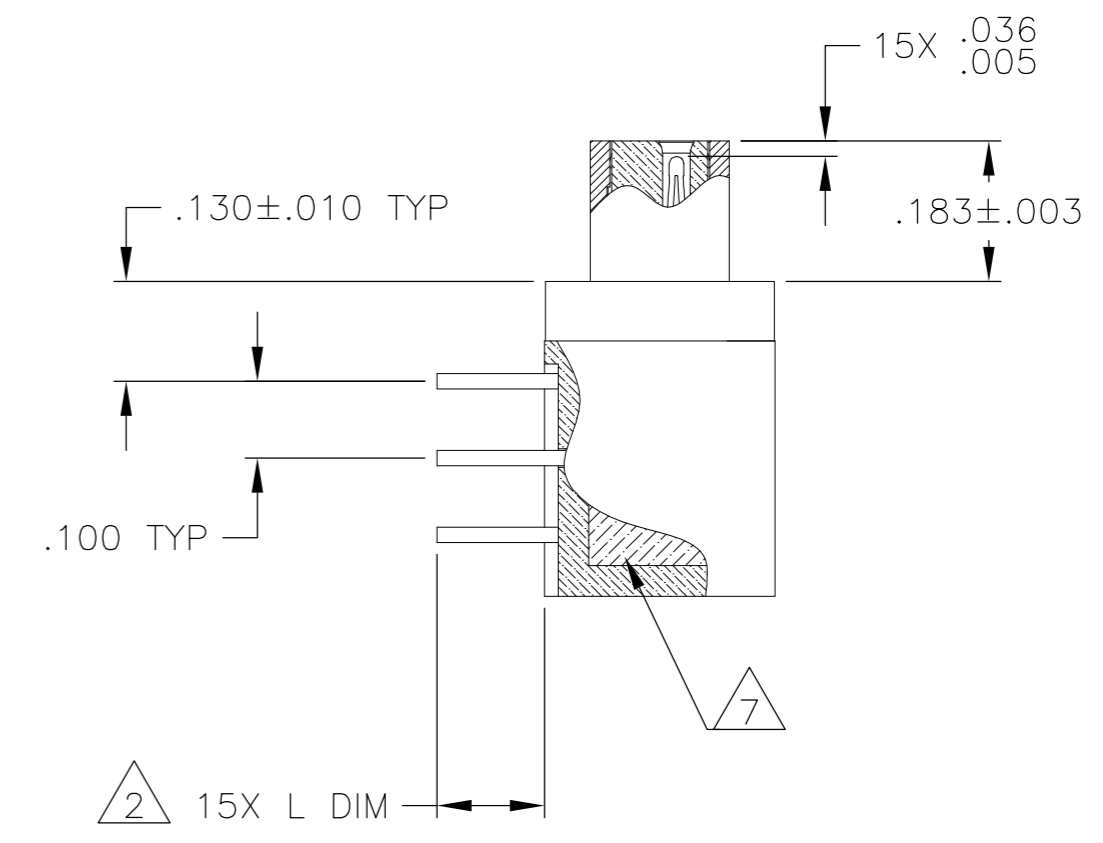
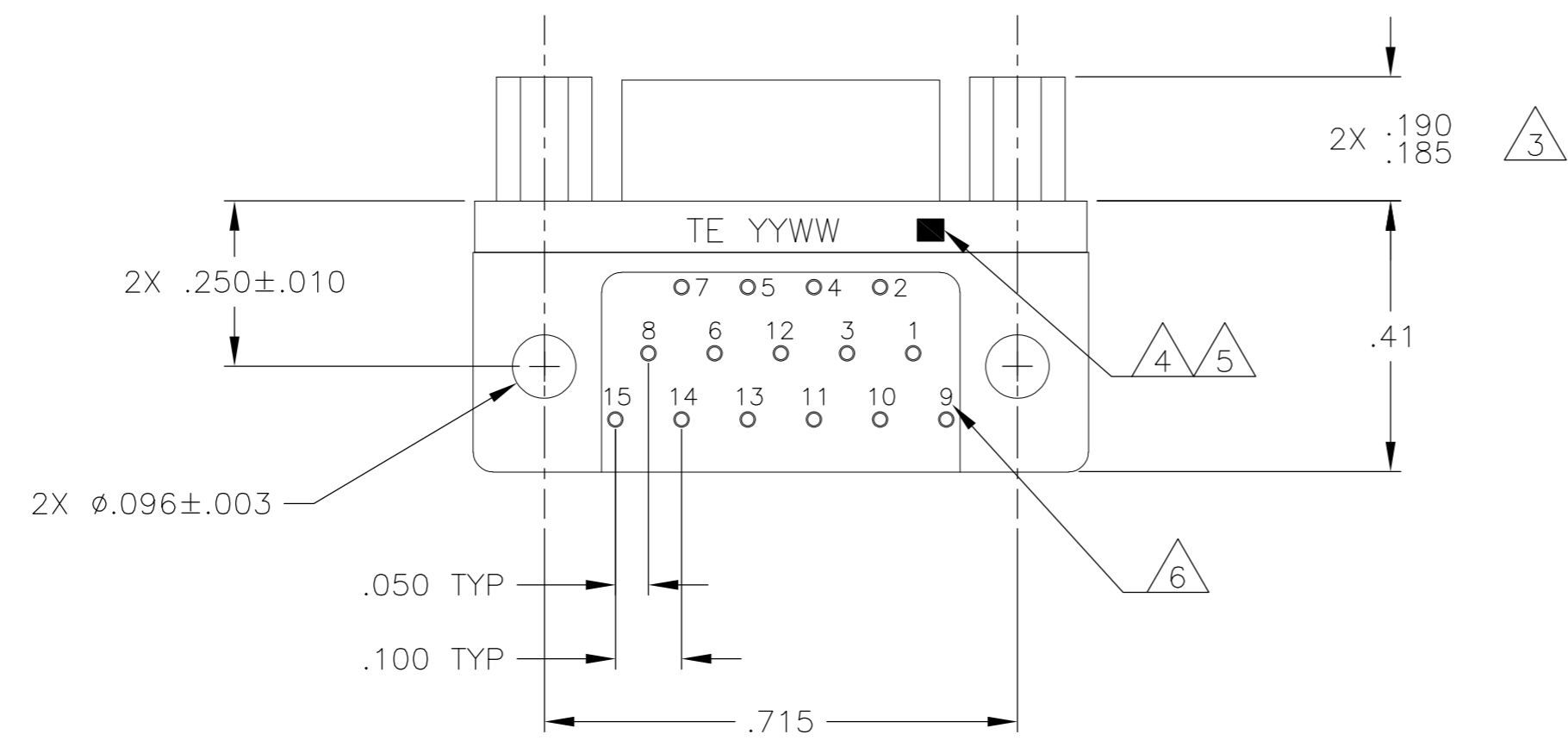
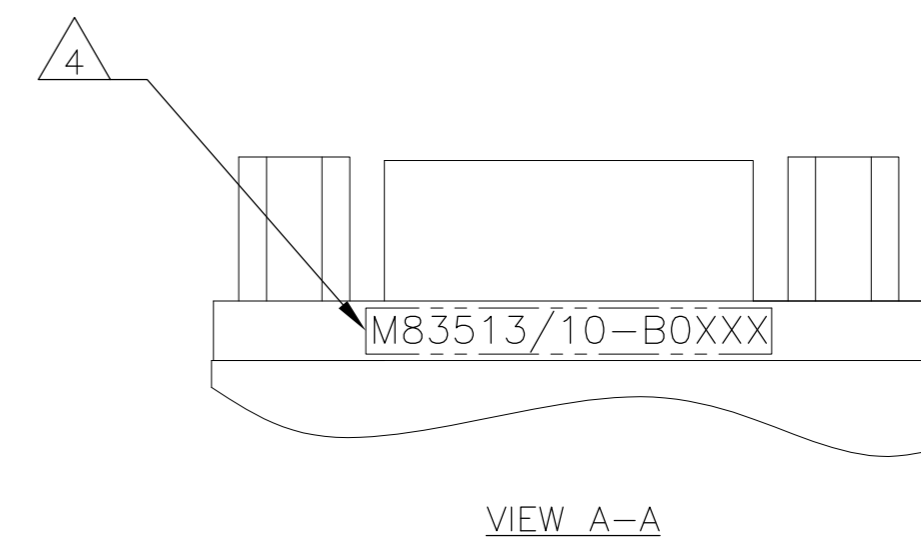
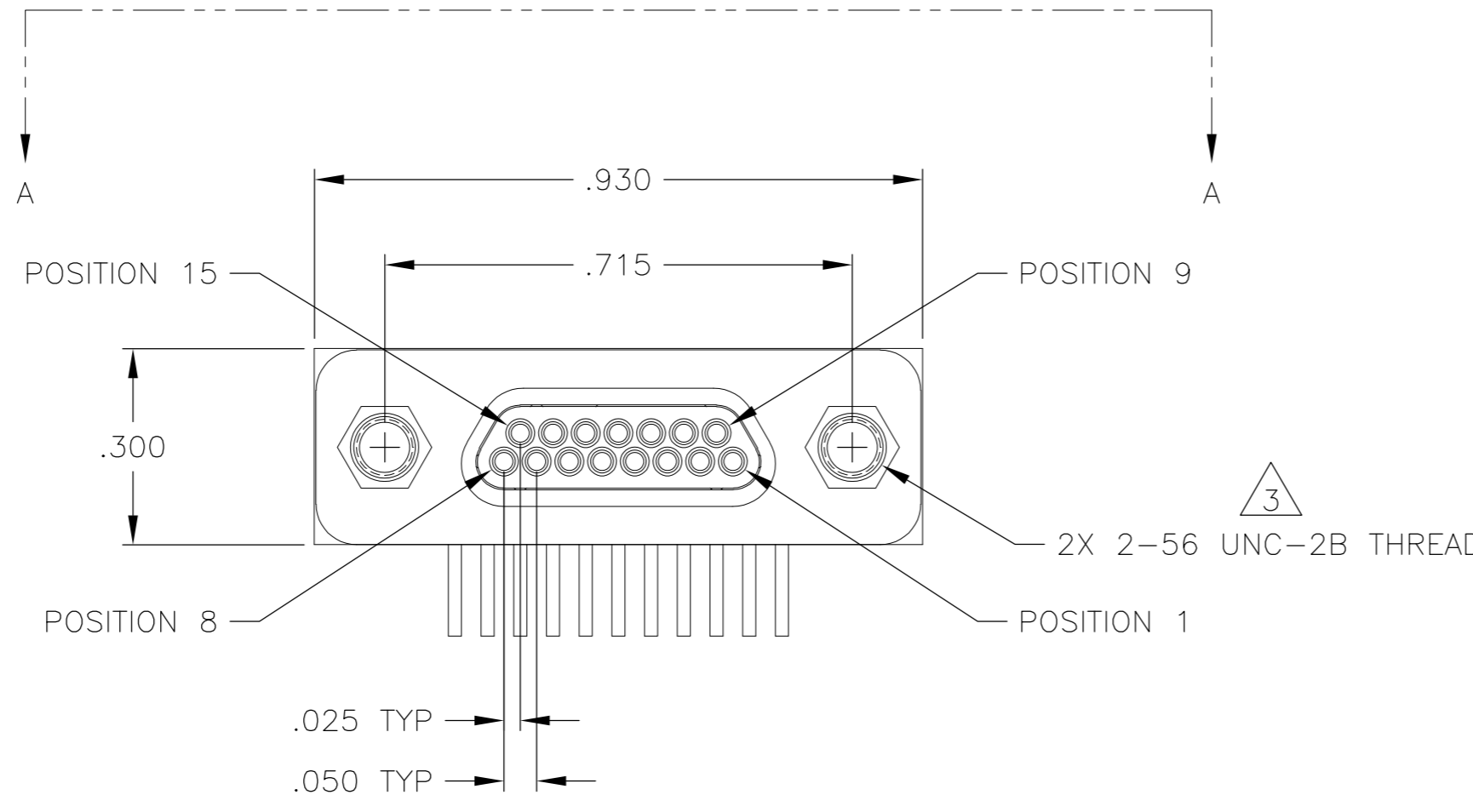


THIS DRAWING IS UNPUBLISHED. RELEASED FOR PUBLICATION  
 © COPYRIGHT - By - ALL RIGHTS RESERVED.

LOC		DIST		REVISIONS			
P	LTR	DESCRIPTION		DATE	DWN	APVD	
	A	INITIAL RELEASE		2 JUL 12	CAS	MKS	



JACKPOSTS OMITTED FOR CLARITY

SEE SHEET 2 FOR NOTES

THIS DRAWING IS A CONTROLLED DOCUMENT.		DWN C SCHOLL 2 JUL 12			
DIMENSIONS: INCHES		CHK M STORRY 2 JUL 12			
TOLERANCES UNLESS OTHERWISE SPECIFIED:		APVD M STORRY 2 JUL 12	NAME PLUG ASSEMBLY, MCKS, RT1 RIGHT ANGLE, PCB MOUNT, 2 ROW, SIZE 15, PER MIL-DTL-83513/10		
0 PLC ± - 1 PLC ± - 2 PLC ± .010 3 PLC ± .005 4 PLC ± - ANGLES ± 1°		PRODUCT SPEC APPLICATION SPEC	SIZE A2	CAGE CODE 98278	DRAWING NO 1532251
MATERIAL SEE NOTES		FINISH SEE NOTES	WEIGHT -	RESTRICTED TO -	SCALE 4:1
		CUSTOMER DRAWING		SHEET 1 OF 2	REV A

THIS DRAWING IS UNPUBLISHED. RELEASED FOR PUBLICATION  
 © COPYRIGHT - By - ALL RIGHTS RESERVED.

LOC		DIST		REVISIONS			
P	LTR	DESCRIPTION	DATE	DWN	APVD		
-	-	SEE SHEET 1	-	-	-		

TE PART NUMBER	MIL-DTL-83513 PIN	MCKS DESCRIPTION	SHELL FINISH $\triangle 1$	HARDWARE $\triangle 3$	L DIM $\pm .015$
1532251-1	M83513/10-B01CN	MCKS-C2-B-15PRT1	CADMIUM	NONE	.109
1532251-2	M83513/10-B01CP	MCKS-C2-P-15PRT1	CADMIUM	JACKPOSTS	.109
1532251-3	M83513/10-B01NN	MCKS-N1-B-15PRT1	NICKEL	NONE	.109
1532251-4	M83513/10-B01NP	MCKS-N1-P-15PRT1	NICKEL	JACKPOSTS	.109
1532251-5	M83513/10-B02CN	MCKS-C2-B-15PRT1A	CADMIUM	NONE	.140
1532251-6	M83513/10-B02CP	MCKS-C2-P-15PRT1A	CADMIUM	JACKPOSTS	.140
1532251-7	M83513/10-B02NN	MCKS-N1-B-15PRT1A	NICKEL	NONE	.140
1532251-8	M83513/10-B02NP	MCKS-N1-P-15PRT1A	NICKEL	JACKPOSTS	.140
1532251-9	M83513/10-B03CN	MCKS-C2-B-15PRT1B	CADMIUM	NONE	.172
1-1532251-0	M83513/10-B03CP	MCKS-C2-P-15PRT1B	CADMIUM	JACKPOSTS	.172
1-1532251-1	M83513/10-B03NN	MCKS-N1-B-15PRT1B	NICKEL	NONE	.172
1-1532251-2	M83513/10-B03NP	MCKS-N1-P-15PRT1B	NICKEL	JACKPOSTS	.172

$\triangle 1$  SHELL MATERIAL: 6061-T6 ALUMINUM  
 FINISH OPTIONS:  
 ELECTROLESS NICKEL PLATED PER SAE-AMS-C-26074 OR SAE AMS 2404 OR CADMIUM PLATED PER SAE-AMS-QQ-P-416 WITH YELLOW CHROMATE  
 INSULATOR: LIQUID CRYSTAL POLYMER (LCP)  
 HARDWARE: 300 SERIES STAINLESS STEEL  
 TB BOX: POLYPHENYLENE SULFIDE (PPS) AND EPOXY POTTING

$\triangle 2$  TERMINATION: 24AWG GOLD PLATED COPPER WIRE, Sn63Pb37 SOLDER DIPPED UP TO MOUNTING SURFACE AT A MINIMUM

$\triangle 3$  JACKPOST HARDWARE SHALL BE PERMANENTLY INSTALLED AS SHOWN WHEN REQUIRED BY THE MIL PIN. JACKPOST DIMENSIONS AND REQUIREMENTS ARE DEFINED IN MIL-DTL-83513/5.

$\triangle 4$  CONNECTOR SHALL BE MARKED IN ACCORDANCE WITH METHOD I OF MIL-STD-1285. MARKING SHALL CONTAIN THE MILITARY PIN, CAGE CODE (OR TE), AND DATE CODE. EXAMPLE: M83513/10-BOXXX TE YYWW (WHERE XXX IS PART OF THE PIN SHOWN IN THE "MIL-DTL-83513 PIN" COLUMN OF THE PART NUMBER TABLE, AND YYWW IS THE DATE CODE). FOR THE SIZE 15 PLUG, THE MARKING MUST BE PRINTED ON BOTH SIDES OF THE FLANGE. TEXT HEIGHT SHALL BE .035 INCH MINIMUM.

$\triangle 5$  POSITION 1 SHALL BE INDICATED BY AN IDENTIFIABLE MARK, LOCATED APPROXIMATELY AS SHOWN ON THE POSITION 1 SIDE OF THE CONNECTOR FLANGE. THIS MARK SHALL BE INCLUDED AS PART OF THE PART MARKING INFORMATION.

$\triangle 6$  TERMINAL IDENTIFICATION NUMBERS AS SHOWN DO NOT ACTUALLY APPEAR ON THE PART (FOR IDENTIFICATION ONLY)

$\triangle 7$  EPOXY ENCAPSULATION

8 ALL REQUIREMENTS CONFORM TO MIL-DTL-83513/10. SEE MIL-SPEC FOR DETAILED INTERFACE DIMENSIONS AND SUGGESTED PCB LAYOUTS

THIS DRAWING IS A CONTROLLED DOCUMENT.		DWN C SCHOLL 2 JUL 12	TE Connectivity	
DIMENSIONS: INCHES		CHK -	NAME M STORRY 2 JUL 12	
TOLERANCES UNLESS OTHERWISE SPECIFIED:		APVD M STORRY 2 JUL 12	PRODUCT SPEC PLUG ASSEMBLY, MCKS, RT1 RIGHT ANGLE, PCB MOUNT, 2 ROW, SIZE 15, PER MIL-DTL-83513/10	
0 PLC $\pm -$ 1 PLC $\pm -$ 2 PLC $\pm .010$ 3 PLC $\pm .005$ 4 PLC $\pm -$ ANGLES $\pm 1^\circ$		APPLICATION SPEC -	SIZE A2	CAGE CODE 98278
MATERIAL SEE NOTES	FINISH SEE NOTES	WEIGHT -	DRAWING NO C=1532251	RESTRICTED TO -
CUSTOMER DRAWING			SCALE 4:1	SHEET 2 of 2
			REV A	

## X-ON Electronics

Largest Supplier of Electrical and Electronic Components

*Click to view similar products for [D-Sub Micro-D Connectors](#) category:*

*Click to view products by [TE Connectivity](#) manufacturer:*

Other Similar products are found below :

[65-1920-15](#) [M83513/03-A10N](#) [M83513/03-G12N](#) [M83513/04-G04C](#) [M83513/22-D01NP](#) [664020C06F060](#) [6R2004A30F015](#)  
[6R4006A28A120](#) [704002A03F200](#) [705001A13F120](#) [71-147714-19P](#) [7-1532020-5](#) [748567-1-P](#) [MDB1-9SH001](#) [MDM-100PH003L](#) [MDM-](#)  
[15PBS-L58](#) [MDM-15PCBRM7T](#) [MDM-15PH001M7-A174](#) [MDM-15PH003B-A174](#) [MDM-15SH003A](#) [MDM-15SH004B](#) [MDM-](#)  
[15SH006A-A174](#) [MDM-15SH048B](#) [MDM-21PH003P](#) [MDM-25PH003B-A174](#) [MDM-25SH003F](#) [MDM-25SH003K](#) [MDM-31PH003L](#)  
[MDM-37PH006L-A174](#) [MDM-37SH003K](#) [MDM51PH016FA174](#) [MDM-51PSF](#) [MDM-9PH003M7](#) [MDM-9SH001P](#) [MDM-9SH006B](#) [790-](#)  
[027SH-10P4MEP](#) [790-041PJ-25P2MPA](#) [790-043PJ-7P7MPB](#) [791-004SH-66MSA](#) [7R3A00A19A1201](#) [7R5006A19A120](#) [803000C02M020](#)  
[803001B02M040](#) [803001D01M040](#) [8030N1A09M020](#) [804001B03M100](#) [804006B03M100](#) [804006C02M030](#) [MLDM2L-21SCBRP-.110](#)  
[85043GULSR](#)