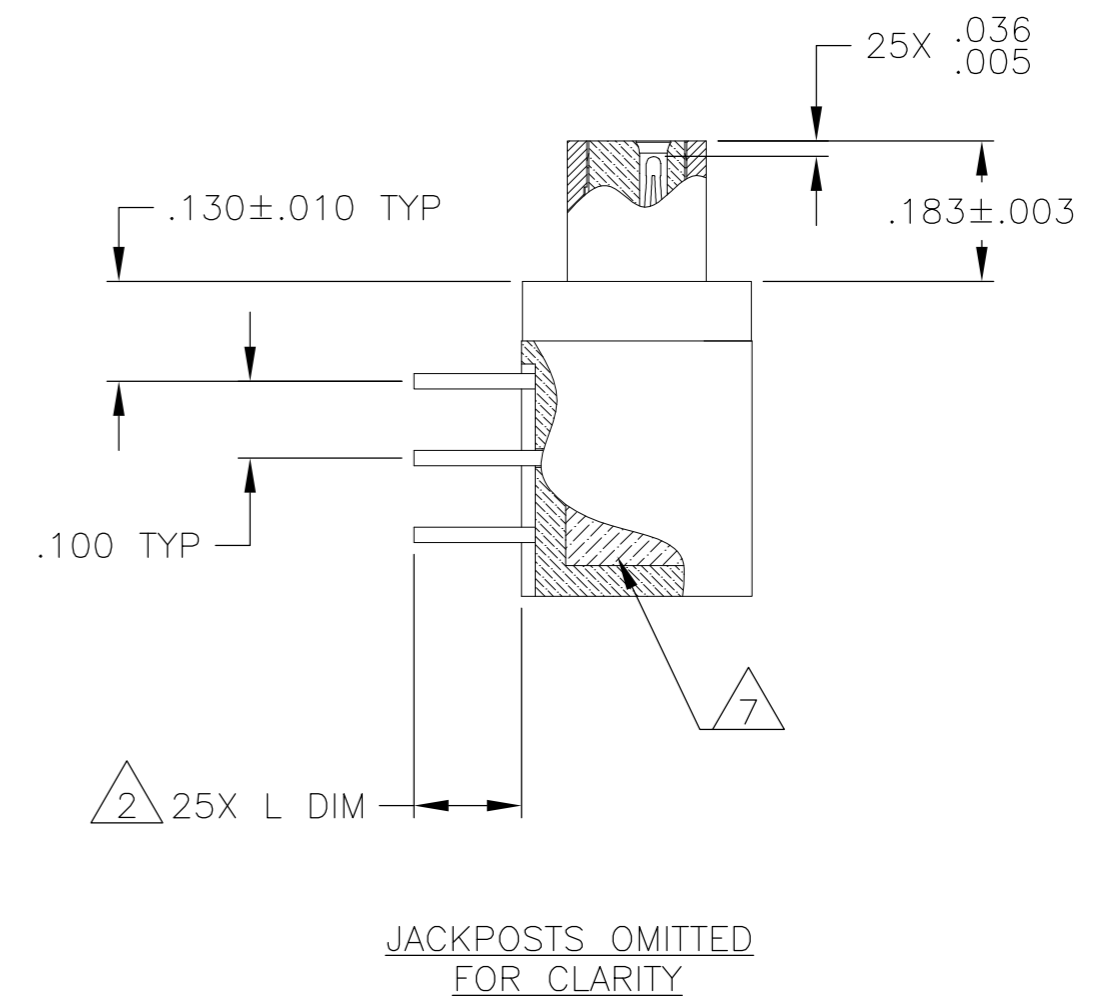
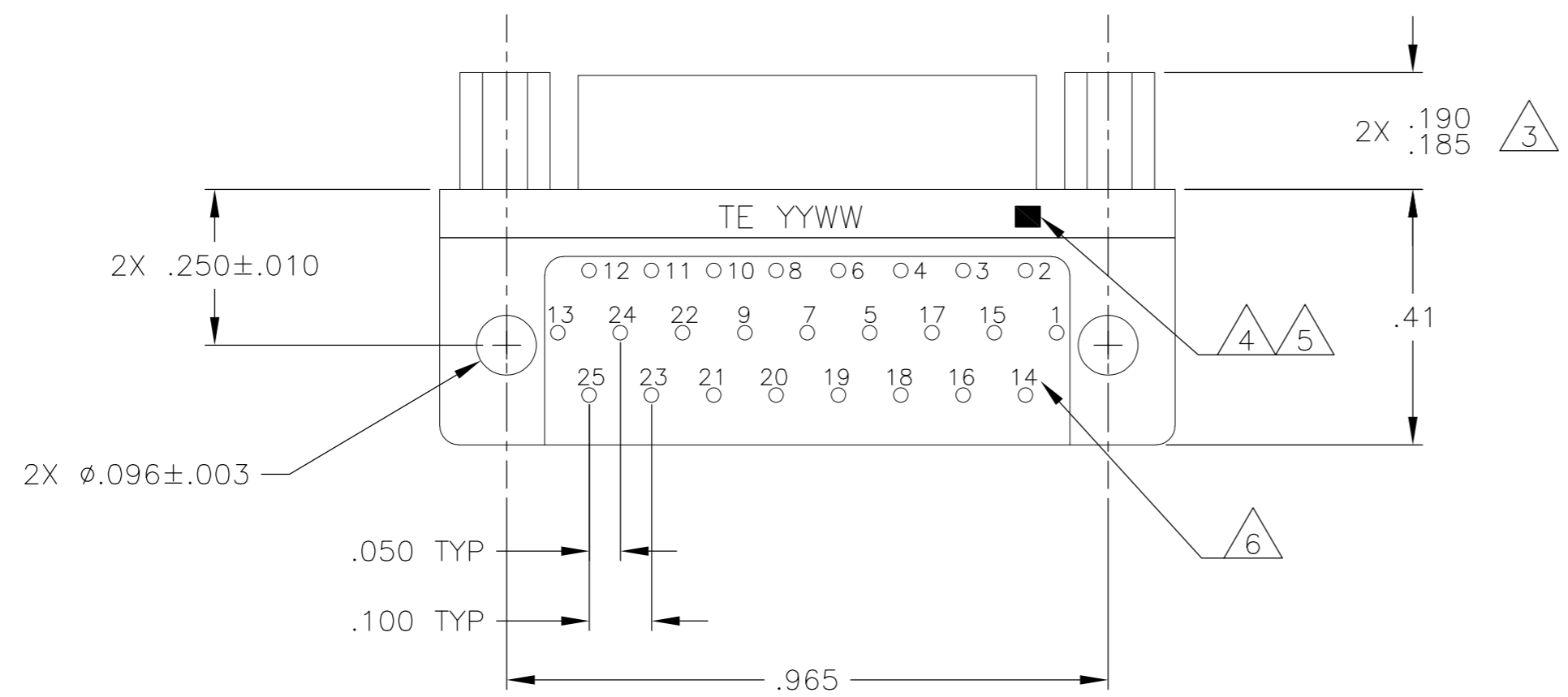
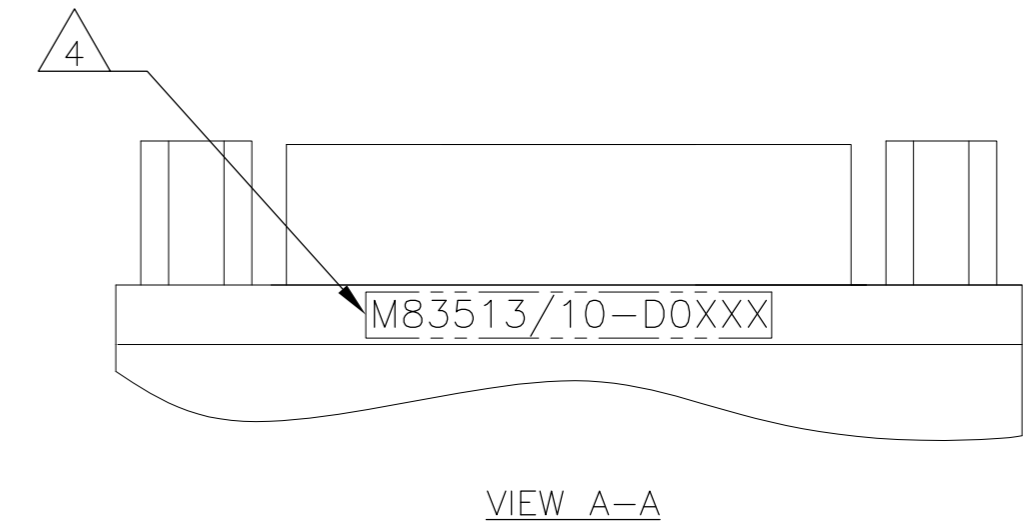
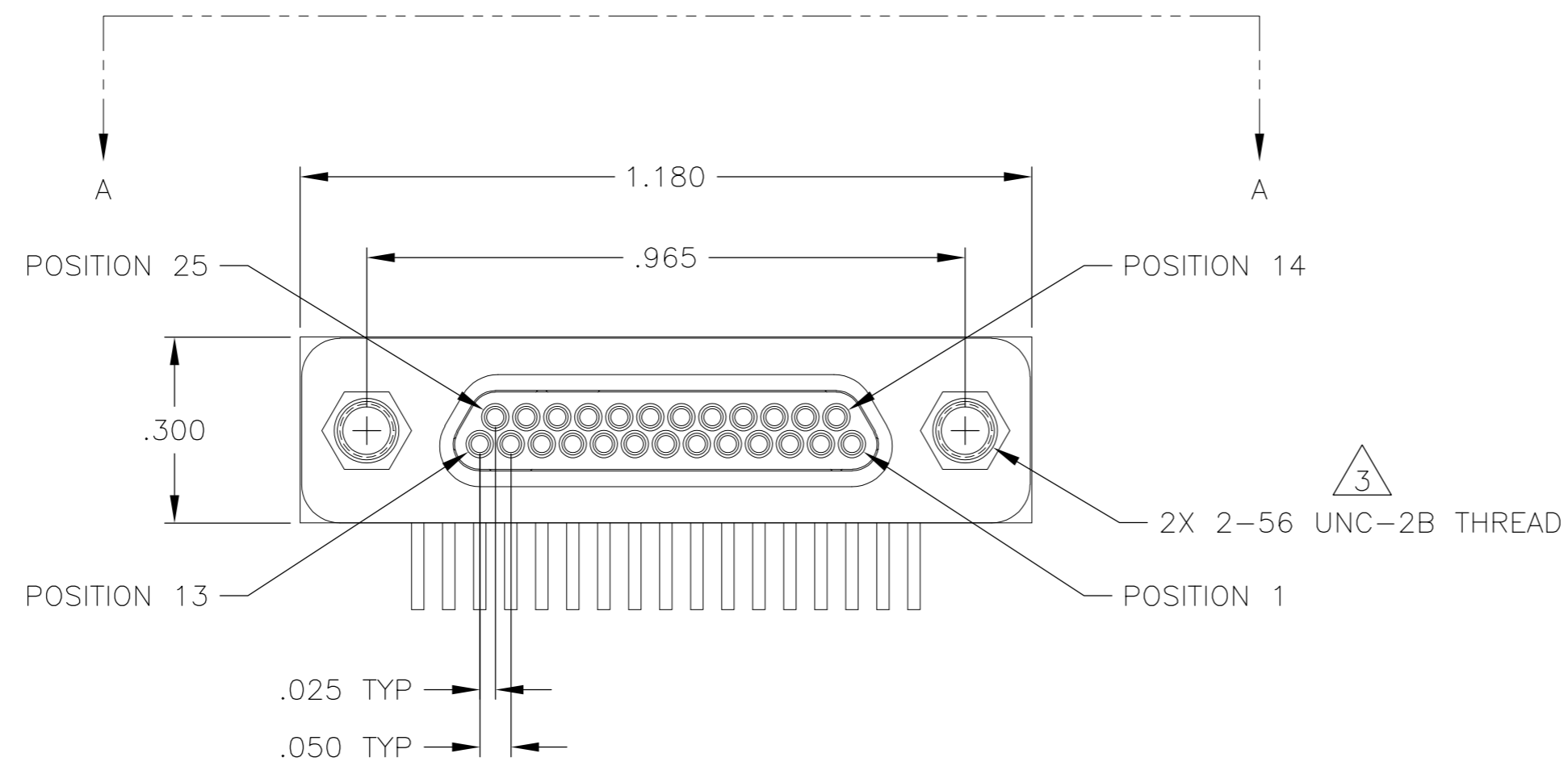


THIS DRAWING IS UNPUBLISHED. RELEASED FOR PUBLICATION
 © COPYRIGHT - By - ALL RIGHTS RESERVED.

LOC		DIST		REVISIONS			
P	LTR	DESCRIPTION	DATE	DWN	APVD		
	A	INITIAL RELEASE	2 JUL 12	CAS	MKS		



SEE SHEET 2 FOR NOTES


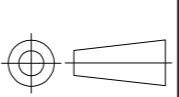
THIS DRAWING IS A CONTROLLED DOCUMENT.		DWN C SCHOLL 2 JUL 12	TE Connectivity	
DIMENSIONS: INCHES		CHK -		
TOLERANCES UNLESS OTHERWISE SPECIFIED:		APVD M STORRY 2 JUL 12	NAME	
0 PLC ± -		PRODUCT SPEC	PLUG ASSEMBLY, MCKS, RT1 RIGHT	
1 PLC ± -		APPLICATION SPEC	ANGLE, PCB MOUNT, 2 ROW,	
2 PLC ± .010			SIZE 25, PER MIL-DTL-83513/10	
3 PLC ± .005			SIZE	CAGE CODE
4 PLC ± -			A2	98278
ANGLES ± 1°			DRAWING NO	RESTRICTED TO
FINISH		WEIGHT	C=1532253	-
SEE NOTES		CUSTOMER DRAWING	SCALE 4:1	SHEET 1 OF 2
			REV	A

THIS DRAWING IS UNPUBLISHED. RELEASED FOR PUBLICATION
 © COPYRIGHT - By - ALL RIGHTS RESERVED.

LOC		DIST		REVISIONS			
P	LTR	DESCRIPTION	DATE	DWN	APVD		
-	-	SEE SHEET 1	-	-	-		

TE PART NUMBER	MIL-DTL-83513 PIN	MCKS DESCRIPTION	SHELL FINISH $\triangle 1$	HARDWARE $\triangle 3$	L DIM $\pm .015$
1532253-1	M83513/10-D01CN	MCKS-C2-B-25PRT1	CADMIUM	NONE	.109
1532253-2	M83513/10-D01CP	MCKS-C2-P-25PRT1	CADMIUM	JACKPOSTS	.109
1532253-3	M83513/10-D01NN	MCKS-N1-B-25PRT1	NICKEL	NONE	.109
1532253-4	M83513/10-D01NP	MCKS-N1-P-25PRT1	NICKEL	JACKPOSTS	.109
1532253-5	M83513/10-D02CN	MCKS-C2-B-25PRT1A	CADMIUM	NONE	.140
1532253-6	M83513/10-D02CP	MCKS-C2-P-25PRT1A	CADMIUM	JACKPOSTS	.140
1532253-7	M83513/10-D02NN	MCKS-N1-B-25PRT1A	NICKEL	NONE	.140
1532253-8	M83513/10-D02NP	MCKS-N1-P-25PRT1A	NICKEL	JACKPOSTS	.140
1532253-9	M83513/10-D03CN	MCKS-C2-B-25PRT1B	CADMIUM	NONE	.172
1-1532253-0	M83513/10-D03CP	MCKS-C2-P-25PRT1B	CADMIUM	JACKPOSTS	.172
1-1532253-1	M83513/10-D03NN	MCKS-N1-B-25PRT1B	NICKEL	NONE	.172
1-1532253-2	M83513/10-D03NP	MCKS-N1-P-25PRT1B	NICKEL	JACKPOSTS	.172

- $\triangle 1$ SHELL MATERIAL: 6061-T6 ALUMINUM
 FINISH OPTIONS:
 ELECTROLESS NICKEL PLATED PER SAE-AMS-C-26074 OR SAE AMS 2404 OR CADMIUM PLATED PER SAE-AMS-QQ-P-416 WITH YELLOW CHROMATE
 INSULATOR: LIQUID CRYSTAL POLYMER (LCP)
 HARDWARE: 300 SERIES STAINLESS STEEL
 TB BOX: POLYPHENYLENE SULFIDE (PPS) AND EPOXY POTTING
- $\triangle 2$ TERMINATION: 24AWG GOLD PLATED COPPER WIRE, Sn63Pb37 SOLDER DIPPED UP TO MOUNTING SURFACE AT A MINIMUM
- $\triangle 3$ JACKPOST HARDWARE SHALL BE PERMANENTLY INSTALLED AS SHOWN WHEN REQUIRED BY THE MIL PIN. JACKPOST DIMENSIONS AND REQUIREMENTS ARE DEFINED IN MIL-DTL-83513/5.
- $\triangle 4$ CONNECTOR SHALL BE MARKED IN ACCORDANCE WITH METHOD I OF MIL-STD-1285. MARKING SHALL CONTAIN THE MILITARY PIN, CAGE CODE (OR TE), AND DATE CODE. EXAMPLE: M83513/10-DOXXX TE YYWW (WHERE XXX IS PART OF THE PIN SHOWN IN THE "MIL-DTL-83513 PIN" COLUMN OF THE PART NUMBER TABLE, AND YYWW IS THE DATE CODE). FOR THE SIZE 25 PLUG, THE MARKING MUST BE PRINTED ON BOTH SIDES OF THE FLANGE. TEXT HEIGHT SHALL BE .035 INCH MINIMUM.
- $\triangle 5$ POSITION 1 SHALL BE INDICATED BY AN IDENTIFIABLE MARK, LOCATED APPROXIMATELY AS SHOWN ON THE POSITION 1 SIDE OF THE CONNECTOR FLANGE. THIS MARK SHALL BE INCLUDED AS PART OF THE PART MARKING INFORMATION.
- $\triangle 6$ TERMINAL IDENTIFICATION NUMBERS AS SHOWN DO NOT ACTUALLY APPEAR ON THE PART (FOR IDENTIFICATION ONLY)
- $\triangle 7$ EPOXY ENCAPSULATION
- 8 ALL REQUIREMENTS CONFORM TO MIL-DTL-83513/10. SEE MIL-SPEC FOR DETAILED INTERFACE DIMENSIONS AND SUGGESTED PCB LAYOUTS

THIS DRAWING IS A CONTROLLED DOCUMENT.		DWN C SCHOLL	2 JUL 12	 TE Connectivity	
DIMENSIONS: INCHES		CHK -	-		
		TOLERANCES UNLESS OTHERWISE SPECIFIED:		APVD M STORRY	
		0 PLC \pm - 1 PLC \pm - 2 PLC \pm .010 3 PLC \pm .005 4 PLC \pm - ANGLES \pm 1°		2 JUL 12	
MATERIAL SEE NOTES		FINISH SEE NOTES		PRODUCT SPEC -	
		WEIGHT -		APPLICATION SPEC -	
		CUSTOMER DRAWING		SIZE A2	CAGE CODE 98278
		SCALE 4:1		DRAWING NO C=1532253	RESTRICTED TO -
		SHEET 2 of 2		REV A	

X-ON Electronics

Largest Supplier of Electrical and Electronic Components

Click to view similar products for [D-Sub Micro-D Connectors](#) category:

Click to view products by [TE Connectivity](#) manufacturer:

Other Similar products are found below :

[65-1920-15](#) [M83513/03-G12N](#) [M83513/04-G04C](#) [664020C06F060](#) [6R2004A30F015](#) [6R4006A28A120](#) [704002A03F200](#) [705001A13F120](#)
[71-147714-19P](#) [7-1532020-5](#) [748567-1-P](#) [MDB1-9SH001](#) [MDM-100PH003L](#) [MDM-15PBS-L58](#) [MDM-15PCBRM7T](#) [MDM-15PH001M7-](#)
[A174](#) [MDM-15PH003B-A174](#) [MDM-15SH003A](#) [MDM-15SH004B](#) [MDM-15SH006A-A174](#) [MDM-15SH048B](#) [MDM-21PH003P](#) [MDM-](#)
[25PH003B-A174](#) [MDM-25SH003F](#) [MDM-25SH003K](#) [MDM-31PH003L](#) [MDM-37PH006L-A174](#) [MDM-37SH003K](#) [MDM51PH016FA174](#)
[MDM-51PSF](#) [MDM-9PH003M7](#) [MDM-9SH001P](#) [MDM-9SH006B](#) [790-027SH-10P4MEP](#) [790-041PJ-25P2MPA](#) [790-043PJ-7P7MPB](#) [791-](#)
[004SH-66MSA](#) [7R3A00A19A1201](#) [7R5006A19A120](#) [803000C02M020](#) [803001B02M040](#) [803001D01M040](#) [8030N1A09M020](#)
[804001B03M100](#) [804006B03M100](#) [804006C02M030](#) [MLDM2L-21SCBRP-.110](#) [85043GULSR](#) [883020E03M030](#) [883031D01M030](#)