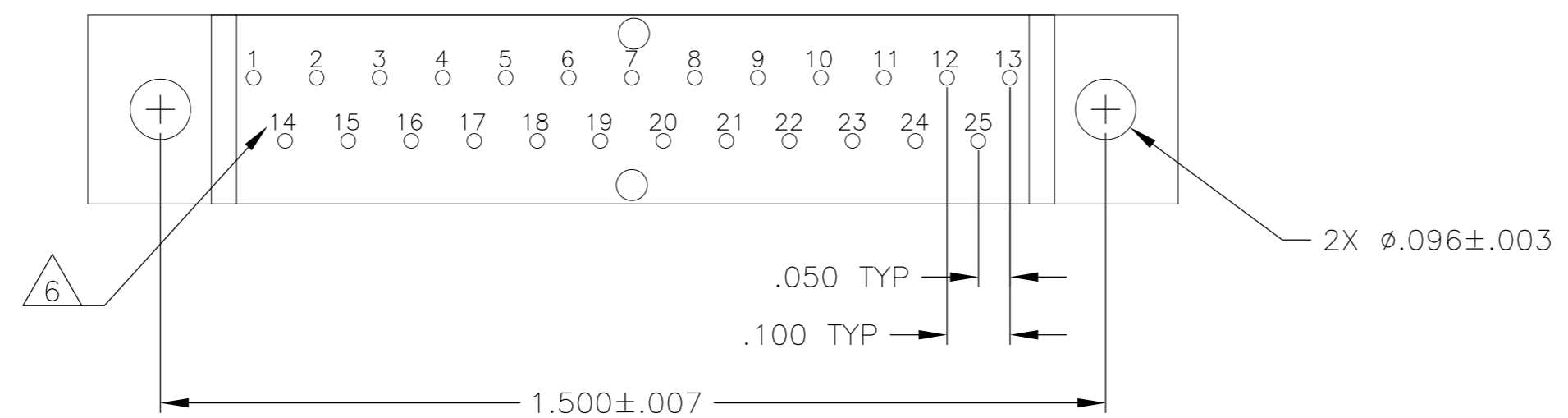
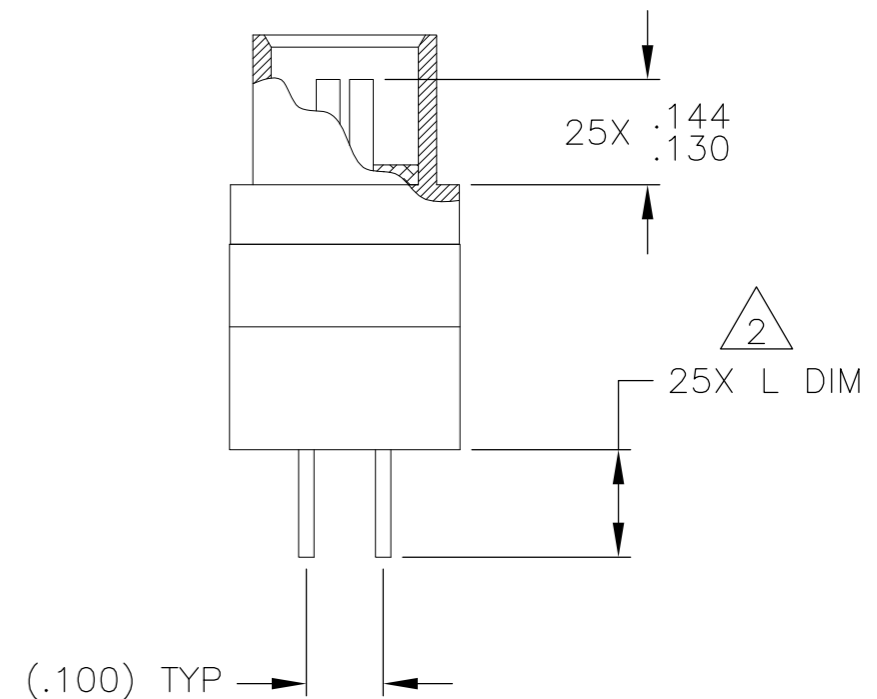
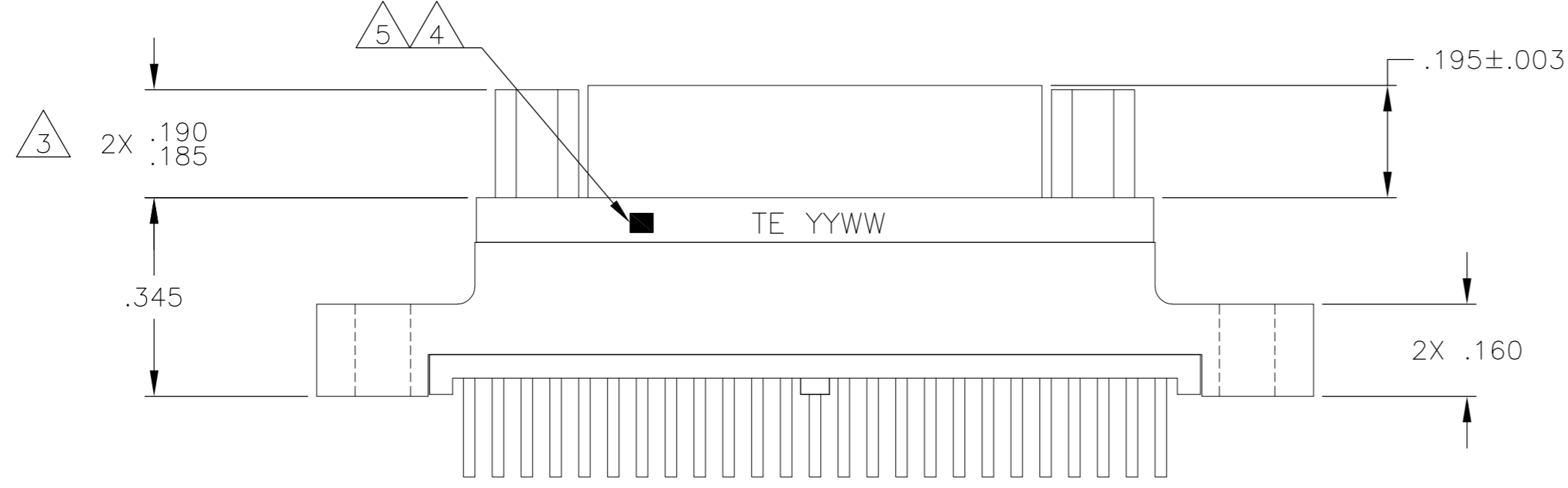
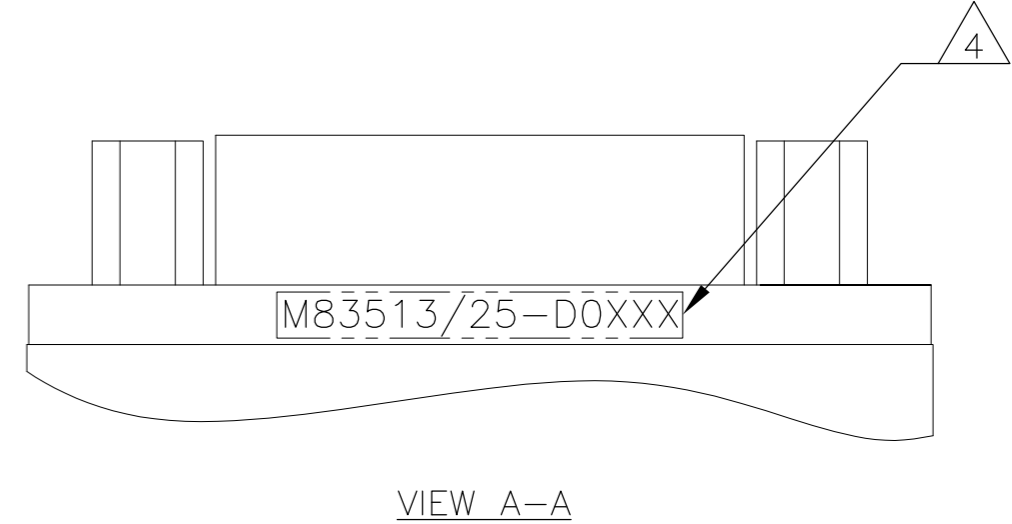
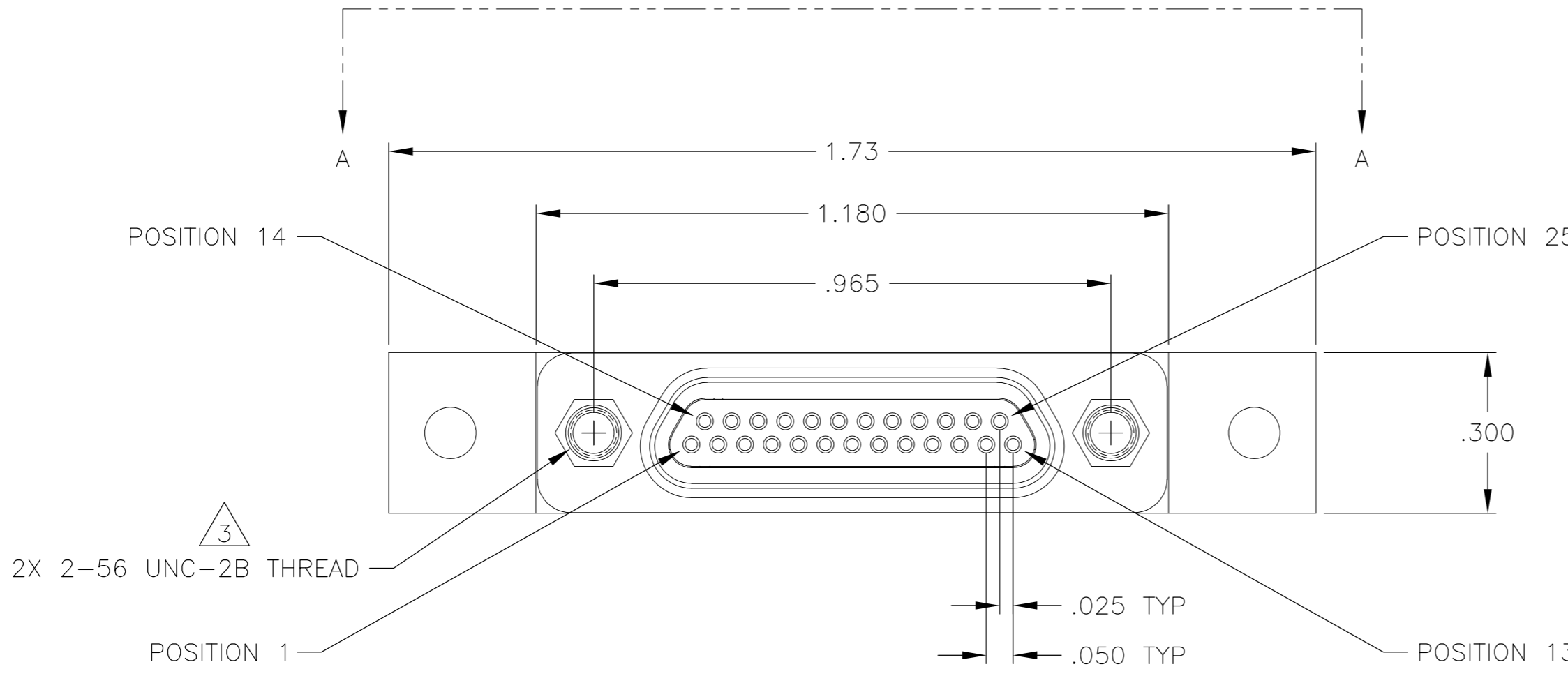


THIS DRAWING IS UNPUBLISHED. RELEASED FOR PUBLICATION
 © COPYRIGHT - By - ALL RIGHTS RESERVED.

| LOC | | DIST | | REVISIONS | | | |
|-----|-----|-----------------|----------|-----------|------|--|--|
| P | LTR | DESCRIPTION | DATE | DWN | APVD | | |
| | A | INITIAL RELEASE | 2 JUL 12 | CAS | MKS | | |



JACKPOSTS OMITTED FOR CLARITY

SEE SHEET 2 FOR NOTES


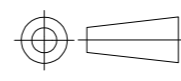
| | | | | |
|--|--|------------------------------|--|--------------------|
| THIS DRAWING IS A CONTROLLED DOCUMENT. | | DWN C SCHOLL 2 JUL 12 | TE Connectivity | |
| DIMENSIONS: INCHES | | CHK M STORRY 2 JUL 12 | | |
| TOLERANCES UNLESS OTHERWISE SPECIFIED: | | APVD M STORRY 2 JUL 12 | NAME RECEPTACLE ASSEMBLY, MCKS, ST1 STRAIGHT TERMINATION, PCB MOUNT, 2 ROW, SIZE 25, PER MIL-DTL-83513/25 | |
| 0 PLC ± - | | PRODUCT SPEC | SIZE A2 | CAGE CODE 98278 |
| 1 PLC ± - | | APPLICATION SPEC | DRAWING NO C=1532277 | RESTRICTED TO - |
| 2 PLC ± .010 | | | SCALE 4:1 | SHEET 1 of 2 |
| 3 PLC ± .005 | | | REV A | |
| 4 PLC ± - | | | | |
| ANGLES ± 1° | | | | |
| FINISH SEE NOTES | | WEIGHT - | | |
| MATERIAL SEE NOTES | | CUSTOMER DRAWING | | |

THIS DRAWING IS UNPUBLISHED. RELEASED FOR PUBLICATION
 © COPYRIGHT - By - ALL RIGHTS RESERVED.

| LOC | | DIST | | REVISIONS | | | |
|-----|-----|-------------|------|-----------|------|--|--|
| P | LTR | DESCRIPTION | DATE | DWN | APVD | | |
| - | - | SEE SHEET 1 | - | - | - | | |

| TE PART NUMBER | MIL-DTL-83513 PIN | MCKS DESCRIPTION | SHELL FINISH $\triangle 1$ | HARDWARE $\triangle 3$ | L DIM $\pm .015$ |
|----------------|-------------------|-------------------|----------------------------|------------------------|------------------|
| 1532277-1 | M83513/25-D01CN | MCKS-C2-B-25SST1 | CADMIUM | NONE | .109 |
| 1532277-2 | M83513/25-D01CP | MCKS-C2-P-25SST1 | CADMIUM | JACKPOSTS | .109 |
| 1532277-3 | M83513/25-D01NN | MCKS-N1-B-25SST1 | NICKEL | NONE | .109 |
| 1532277-4 | M83513/25-D01NP | MCKS-N1-P-25SST1 | NICKEL | JACKPOSTS | .109 |
| 1532277-5 | M83513/25-D02CN | MCKS-C2-B-25SST1A | CADMIUM | NONE | .140 |
| 1532277-6 | M83513/25-D02CP | MCKS-C2-P-25SST1A | CADMIUM | JACKPOSTS | .140 |
| 1532277-7 | M83513/25-D02NN | MCKS-N1-B-25SST1A | NICKEL | NONE | .140 |
| 1532277-8 | M83513/25-D02NP | MCKS-N1-P-25SST1A | NICKEL | JACKPOSTS | .140 |
| 1532277-9 | M83513/25-D03CN | MCKS-C2-B-25SST1B | CADMIUM | NONE | .172 |
| 1-1532277-0 | M83513/25-D03CP | MCKS-C2-P-25SST1B | CADMIUM | JACKPOSTS | .172 |
| 1-1532277-1 | M83513/25-D03NN | MCKS-N1-B-25SST1B | NICKEL | NONE | .172 |
| 1-1532277-2 | M83513/25-D03NP | MCKS-N1-P-25SST1B | NICKEL | JACKPOSTS | .172 |

- $\triangle 1$ SHELL MATERIAL: 6061-T6 ALUMINUM
 FINISH OPTIONS:
 ELECTROLESS NICKEL PLATED PER SAE-AMS-C-26074 OR SAE AMS 2404 OR CADMIUM PLATED PER SAE-AMS-QQ-P-416 WITH YELLOW CHROMATE
 INSULATOR: LIQUID CRYSTAL POLYMER (LCP)
 HARDWARE: 300 SERIES STAINLESS STEEL
 TB BOX: POLYPHENYLENE SULFIDE (PPS) AND EPOXY POTTING
- $\triangle 2$ TERMINATION: 24AWG GOLD PLATED COPPER WIRE, Sn63Pb37 SOLDER DIPPED UP TO MOUNTING SURFACE AT A MINIMUM
- $\triangle 3$ JACKPOST HARDWARE SHALL BE PERMANENTLY INSTALLED AS SHOWN WHEN REQUIRED BY THE MIL PIN. JACKPOST DIMENSIONS AND REQUIREMENTS ARE DEFINED IN MIL-DTL-83513/5.
- $\triangle 4$ CONNECTOR SHALL BE MARKED IN ACCORDANCE WITH METHOD I OF MIL-STD-1285. MARKING SHALL CONTAIN THE MILITARY PIN, CAGE CODE (OR TE), AND DATE CODE. EXAMPLE: M83513/25-DOXXX TE YYWW (WHERE XXX IS PART OF THE PIN SHOWN IN THE "MIL-DTL-83513 PIN" COLUMN OF THE PART NUMBER TABLE, AND YYWW IS THE DATE CODE). FOR THE SIZE 25 RECEPTACLE, THE MARKING MUST BE PRINTED ON BOTH SIDES OF THE FLANGE. TEXT HEIGHT SHALL BE .035 INCH MINIMUM.
- $\triangle 5$ POSITION 1 SHALL BE INDICATED BY AN IDENTIFIABLE MARK, LOCATED APPROXIMATELY AS SHOWN ON THE POSITION 1 SIDE OF THE CONNECTOR FLANGE. THIS MARK SHALL BE INCLUDED AS PART OF THE PART MARKING INFORMATION.
- $\triangle 6$ TERMINAL IDENTIFICATION NUMBERS AS SHOWN DO NOT ACTUALLY APPEAR ON THE PART (FOR IDENTIFICATION ONLY)
- 7 ALL REQUIREMENTS CONFORM TO MIL-DTL-83513/25. SEE MIL-SPEC FOR DETAILED INTERFACE DIMENSIONS AND SUGGESTED PCB LAYOUTS

| | | | | | |
|---|--|---------------------|-----------------------|--|--------------------|
| THIS DRAWING IS A CONTROLLED DOCUMENT. | | DWN C SCHOLL | 2 JUL 12 |  TE Connectivity | |
| DIMENSIONS: INCHES | | CHK - | - | | |
| TOLERANCES UNLESS OTHERWISE SPECIFIED: | | APVD M STORRY | 2 JUL 12 | NAME RECEPTACLE ASSEMBLY, MCKS, ST1 STRAIGHT TERMINATION, PCB MOUNT, 2 ROW, SIZE 25, PER MIL-DTL-83513/25 | |
|  | | PRODUCT SPEC - | APPLICATION SPEC - | SIZE A2 | CAGE CODE 98278 |
| MATERIAL SEE NOTES | | FINISH SEE NOTES | WEIGHT - | DRAWING NO C=1532277 | RESTRICTED TO - |
| CUSTOMER DRAWING | | | SCALE 4:1 | SHEET 2 of 2 | REV A |

X-ON Electronics

Largest Supplier of Electrical and Electronic Components

Click to view similar products for [D-Sub Micro-D Connectors](#) category:

Click to view products by [TE Connectivity](#) manufacturer:

Other Similar products are found below :

[89076GBEPR](#) [M2430815F](#) [M243082311F](#) [M2430833F](#) [M2430834F](#) [M24308/4-6F](#) [65-1920-15](#) [M83513/01-HN](#) [M83513/03-A10N](#)
[M83513/03-B14C](#) [M83513/03-D09C](#) [M83513/03-D11N](#) [M83513/03-G02N](#) [M83513/03-G05N](#) [M83513/03-G08C](#) [M83513/03-G09N](#)
[M83513/03-G12N](#) [M83513/03-H13N](#) [M83513/04-E15N](#) [M83513/04-G04C](#) [M83513/10-E01NP](#) [M83513/13-B01NP](#) [M83513/13-C01NN](#)
[M83513/16-A01CP](#) [M83513/22-D01NP](#) [M83513/25-B01NP](#) [6R2004A30F015](#) [6R4006A28A120](#) [703006A13F060](#) [704002A03F200](#)
[705001A13F120](#) [7-1532020-5](#) [748567-1-P](#) [MDM-15PCBRM7T](#) [MDM-15PH003B-A174](#) [MDM-15PH034B](#) [MDM-15SH004B](#) [MDM-](#)
[21PH003K](#) [MDM-21PH003P](#) [MDM-25PH003B-A174](#) [MDM-9PH003M7](#) [MDM-9SH006B](#) [773030D02F030](#) [790-024PA-5MS](#) [790-024PB-](#)
[9ML](#) [790-027SH-10P4MEP](#) [790-041PJ-25P2MPA](#) [791-004SH-66MSA](#) [7R3A00A19A1201](#) [7R3A04A19A120](#)