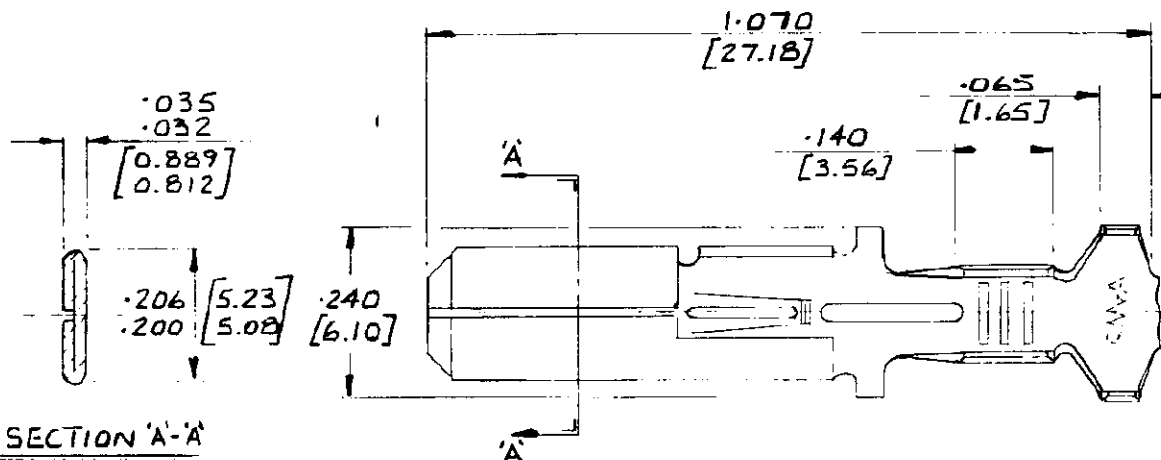


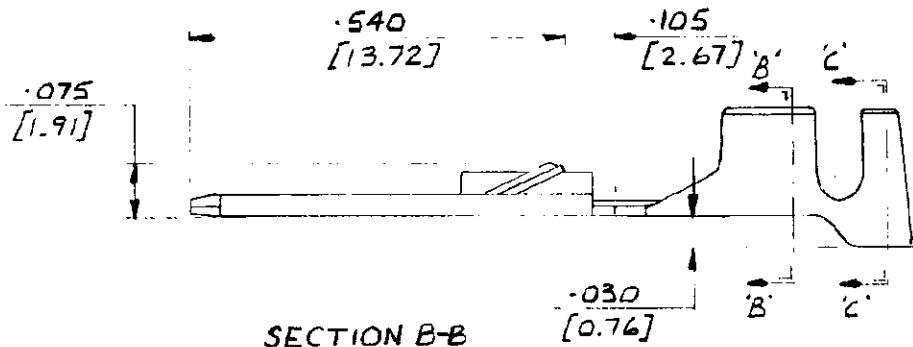
3rd ANGLE (AMERICAN) PROJECTION

DIMENSIONS IN INCHES. DO NOT SCALE PRINT  
DIMENSIONS THUS [ ] IN MM.

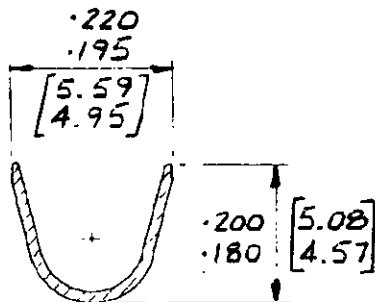
NUMBER  
C-153301



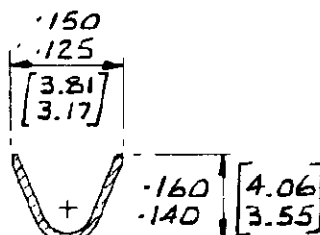
SECTION A-A



SECTION B-B



SECTION C-C



NOTE: -.094--.140 INSULATION  
[2.4 - 3.56]

	1-153301-2	REVERSED REEL OF 153301-2
341209-2	153301-2	PRE-TIN
341209-1	153301-1	NONE
L.P. PART NO	PART NO	FINISH

J	TRANSITION RADIUS	DB	4376	20/1/87
H	L.P. NOS ADDED	MW		6-3-85
G	WIRE RANGE TO READ 18-19 NOTE DID READ: 100-140	CS		5-1-83
F	1-2 ADDED	KS		27/7/81
E	ALTERED PICTORALLY	CS		24/1/78
D	REDRAWN & UPDATED	ZGR		23/10/73
LTR	REVISION RECORD	DR	CHK	DATE
DR	D.C. ROSS	23/10/75	DE	23/10/75
CHK	B SMITH	23/10/75	APP	2-2-73

© AMP OF GREAT BRITAIN LTD 1973	
MATERIAL AND FINISH .016 [0.4] THICK BRASS	FINISH: - SEE TABLE
WIRE - RANGE - INSULATION .065-2.08mm	SEE NOTE
TOLERANCE EXCEPT AS NOTED ± .015 [0.38] ± 1° D'	SCALE 4:1
NAME .203 [5.16] TAB	

CUSTOMER COPY REFERENCE ONLY	
TERMINAL HOUSE, STANMORE, MIDDX.	
CLASS	TYPE
LOC E	NO A
C-153301	
REV J	

PRINT DIST.

## X-ON Electronics

Largest Supplier of Electrical and Electronic Components

*Click to view similar products for [Automotive Connectors](#) category:*

*Click to view products by [TE Connectivity](#) manufacturer:*

Other Similar products are found below :

[003-018-000](#) [60403001](#) [60993906-B](#) [M902-2131](#) [M902-2161](#) [M902-2344](#) [72.330.1035.1](#) [73.353.4028.0](#) [F119300-B](#) [F166900](#) [F258300-B](#)  
[F358300-B](#) [F407400](#) [F444110](#) [F487000](#) [F509500B-B](#) [827153-1](#) [8N1515-32-24P](#) [9-1326729-8](#) [925474-1](#) [928905-1](#) [964562-4](#) [968782-1](#)  
[GT17SA-8DS-HU](#) [98891-1012](#) [98947-1016](#) [12004147](#) [12004475-L](#) [12010290](#) [12010309-B](#) [12015454](#) [12020219-B](#) [12041318-B](#) [12052225-](#)  
[L](#) [12052466](#) [12064869](#) [12004327-B](#) [12015308](#) [12015384](#) [12015909](#) [1-21030-1](#) [12041254](#) [12041318](#) [12047946-B](#) [12047957](#) [12047957-L](#)  
[12059473](#) [12066261](#) [12110546](#) [12110546-B](#)