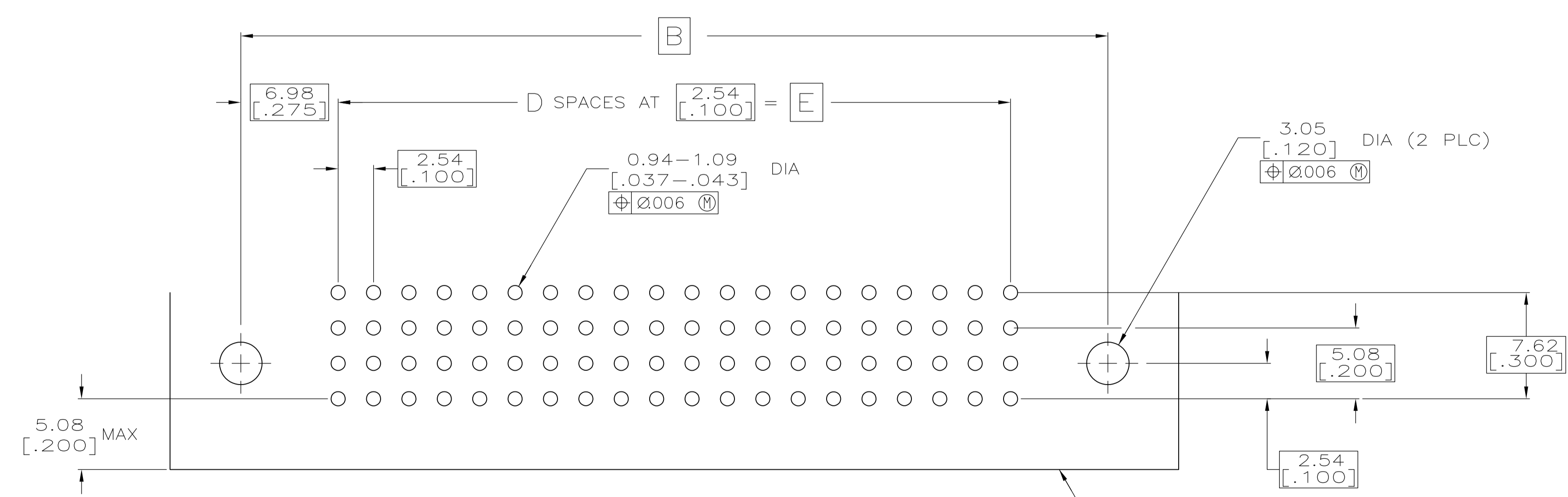
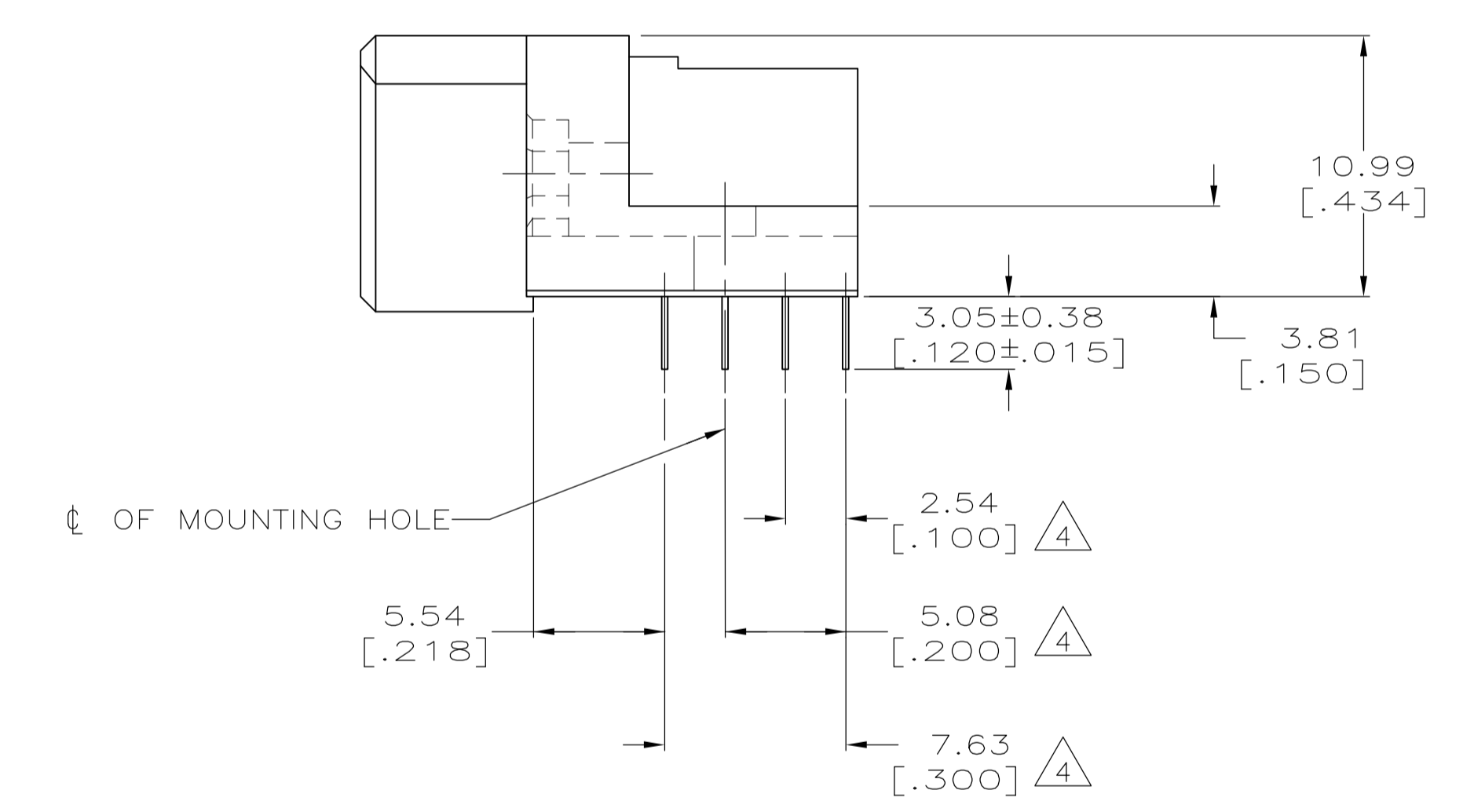
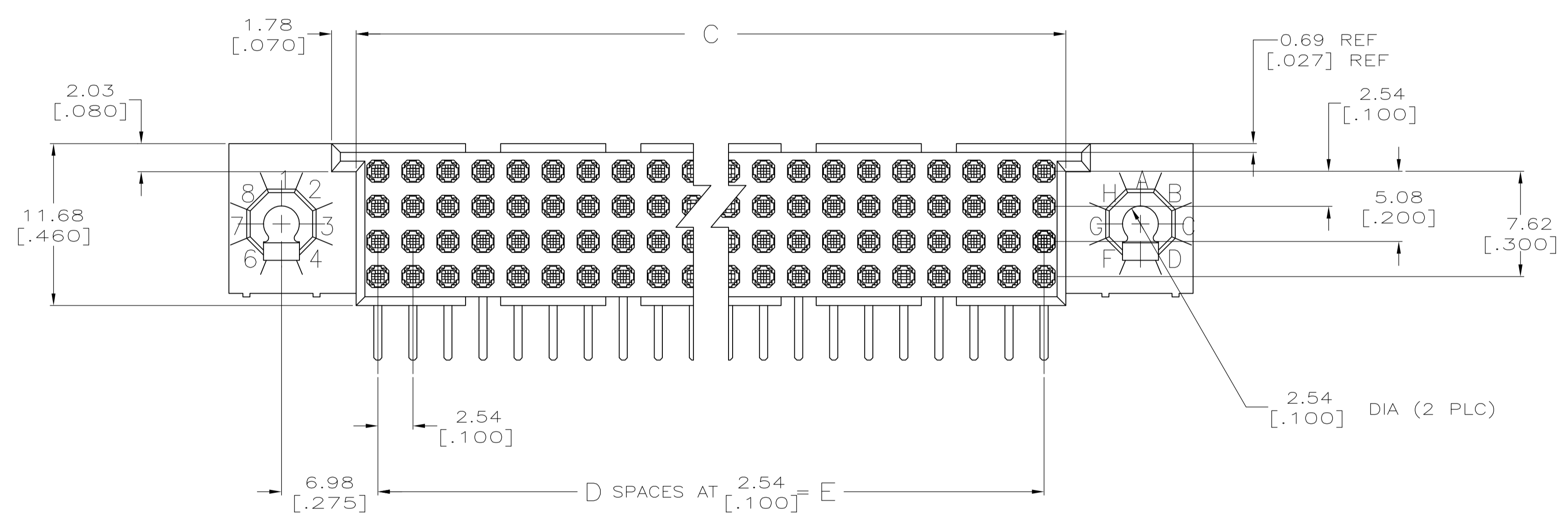
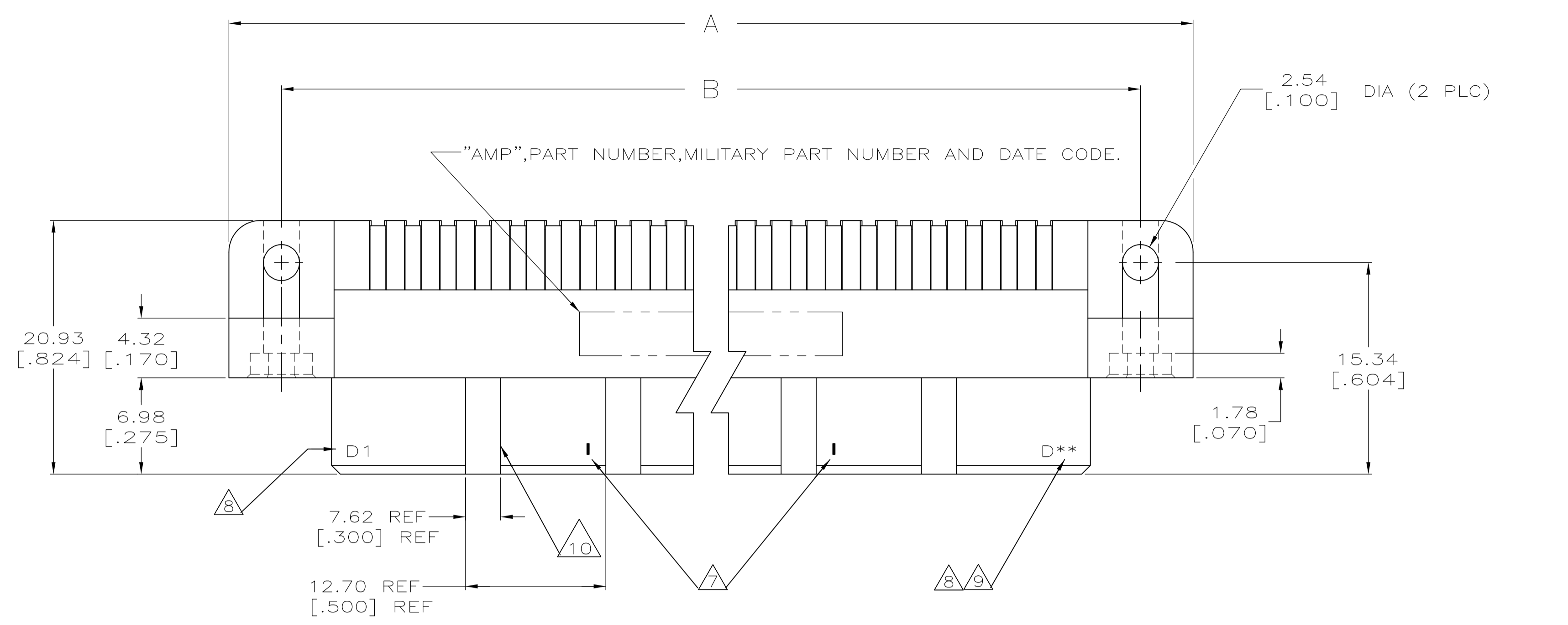


LOC		DIST		REVISIONS			
P	LTR	DESCRIPTION	DATE	DMN	APVD		
K		REVISED PER EC 0512-0287-05	16DEC05	JDP	AMS		
K1		REVISED PER ECO-09-021510	12SEP09	KK	AEG		



THIS DRAWING IS A CONTROLLED DOCUMENT.		DIN T. HOFFMAN 6/30/92	<b>tyco</b> Electronics	Tyco Electronics Corporation Harrisburg, PA 17105-3608	
DIMENSIONS: mm [INCHES]		CHK G. SKIPPER 7/14/92		PRODUCT SPEC	NAME
TOLERANCES UNLESS OTHERWISE SPECIFIED:		APVD	APPLICATION SPEC	SIZE	
0 PLC ± -		PRODUCT SPEC		CAGE CODE	
1 PLC ± -		APPLICATION SPEC		DRAWING NO	
2 PLC ± -		MATERIAL		RESTRICTED TO	
3 PLC ± 0.13 [0.005]		FINISH		WEIGHT	
4 PLC ± -		CUSTOMER DRAWING		SCALE	
ANGLES ± -		SCALE 4:1		SHEET 1 OF 2	
		REV K1			

- △ HOUSING MATERIAL: THERMOPLASTIC, COLOR-NATURAL.
- △ CONTACT MATERIAL: BERYLLIUM COPPER.
- △ CONTACT FINISH: .00127-.00254 [.000050-.000100] NICKEL UNDERPLATE ALL OVER; .00127 [.000050] GOLD PLATE IN CONTACT AREA, TIN-LEAD PLATED SOLDER TAILS.
- △ SOLDER TAILS MUST FIT HOLE PATTERN AS SHOWN ON THE RECOMMENDED P.C. BOARD LAYOUT.
- 5. DIMENSIONS IN BRACKETS ARE IN INCHES.
- △ HOUSINGS WITH CENTER MOUNTING IS RECOMMENDED FOR ASSEMBLIES HAVING 75 CONTACTS PER ROW OR MORE.
- △ MARKED EVERY TENTH POST POSITION.
- △ MARKED ROW D AND FIRST-LAST POSITION IDENTIFICATION.
- △ TOTAL NUMBER OF POSITIONS PER ROW.
- △ QUANTITIES ARE DEPENDENT ON THE POSITIONAL SIZE OF THE HOUSING.
- △ OBSOLETE PARTS: OBSOLETE CIS STREAMLINING PER D.RENAUD/D.SINISI

	187.96 [7.400]	74	191.11 [7.524]	201.93 [7.950]	209.55 [8.250]	300	M55302/180-52 B	1-533939-0
OBSOLETE	149.86 [5.900]	59	153.01 [6.024]	163.83 [6.450]	171.45 [6.750]	240	M55302/180-36 B	533939-6
OBSOLETE	137.16 [5.400]	54	140.31 [5.524]	151.13 [5.950]	158.75 [6.250]	220	M55302/180-32 B	553939-5
	124.46 [4.900]	49	127.61 [5.024]	138.43 [5.450]	146.05 [5.750]	200	M55302/180-28 B	533939-4
OBSOLETE	99.06 [3.900]	39	102.21 [4.024]	113.03 [4.450]	120.65 [4.750]	160	M55302/180-20 B	533939-3
△ OBSOLETE	78.74 [3.100]	31	81.89 [3.224]	92.70 [3.650]	100.32 [3.950]	120	M55302/180-12 B	533939-2
	-	-	-	-	-	-	-	533939-1
	E	D	C	B	A	POSN	MILITARY	AMP
	PART NUMBERS							

THIS DRAWING IS A CONTROLLED DOCUMENT.		DIN	T. HOFFMAN	6/30/92	Tyco Electronics Corporation Harrisburg, PA 17105-3608
DIMENSIONS: mm [INCHES]		CHK	G. SKIPPER	7/14/92	
TOLERANCES UNLESS OTHERWISE SPECIFIED:		APVD			NAME
0 PLC ± -		PRODUCT SPEC		HDI, 4 ROW, RECEPTACLE ASSEMBLY, 3.05 [.120] LONG SOLDER TAILS, .00127 [.000050] GOLD PLATE	
1 PLC ± -		APPLICATION SPEC		SIZE	
2 PLC ± -		WEIGHT		CAGE CODE	
3 PLC ± 0.13 [.005]		CUSTOMER DRAWING		DRAWING NO	
4 PLC ± -		SCALE		SHEET	
ANGLES ± -		4:1		2 OF 2	
MATERIAL		FINISH		REV	
△		△		K1	

## X-ON Electronics

Largest Supplier of Electrical and Electronic Components

*Click to view similar products for [High Speed/Modular Connectors](#) category:*

*Click to view products by [TE Connectivity](#) manufacturer:*

Other Similar products are found below :

[2332816-1](#) [89006-1137LF](#) [650827-1](#) [65762-001LF](#) [73474-201LF](#) [74040-1346](#) [74075-0267](#) [1410191-1](#) [1410337-1](#) [1410368-3](#) [1410964-2](#)  
[1410367-3](#) [1410971-4](#) [1467833-1](#) [2000877-1](#) [2000878-1](#) [2041314-1](#) [2065387-1](#) [2187307-1](#) [2187462-1](#) [91290-101LF](#) [163P](#) [1934290-1](#)  
[2000875-1](#) [2065917-1](#) [2102736-2](#) [FSR-40](#) [2169868-2](#) [22354-8](#) [437-5040-000](#) [5-1393565-0](#) [532449-3](#) [532803-2](#) [34745-0001](#) [1-1393708-5](#)  
[73774-1000](#) [532939-1](#) [5-531355-3](#) [85838-180LF](#) [HM1S43TRR460H6PLF](#) [0760205010](#) [0782341022](#) [1-966831-4](#) [3-1469268-7](#) [77427-121LF](#)  
[74748-102LF](#) [10009542-001LF](#) [73983-A001LF](#) [10041743-101LF](#) [10066670-100002LF](#)