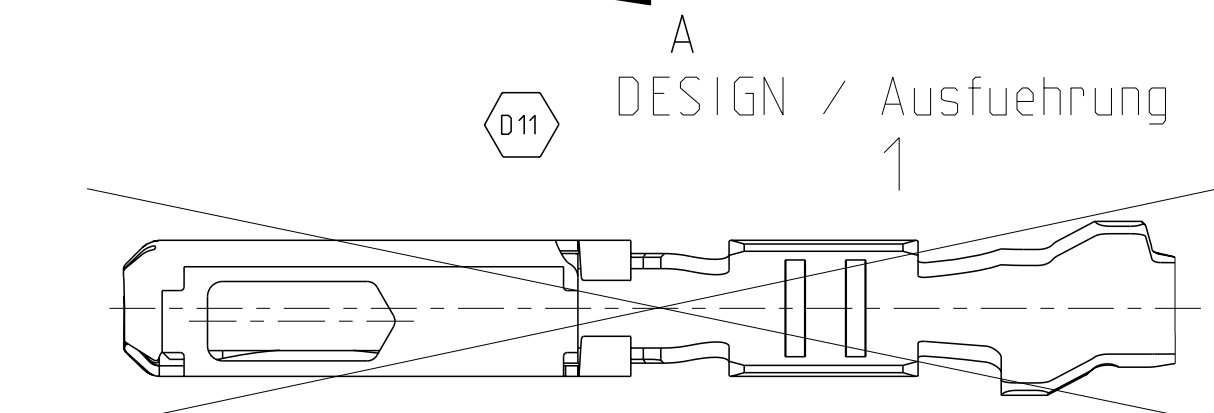
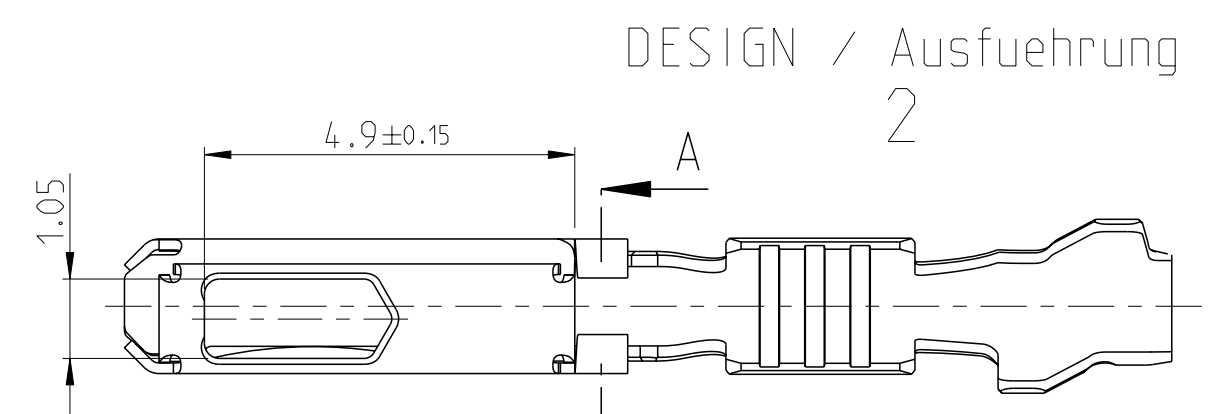
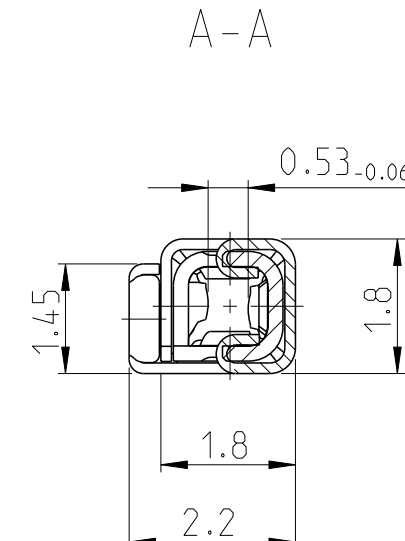
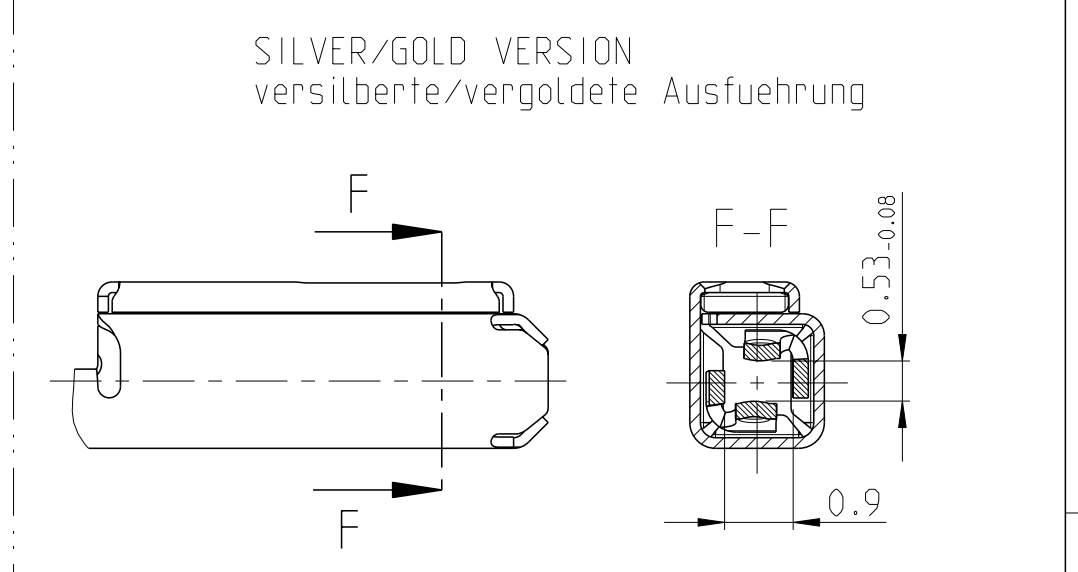
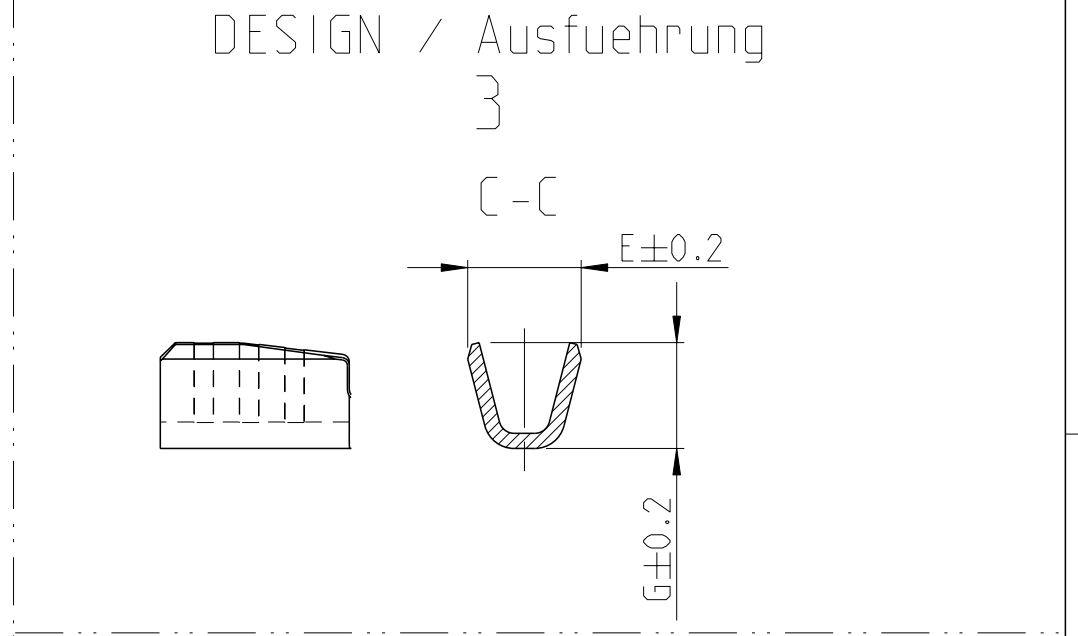
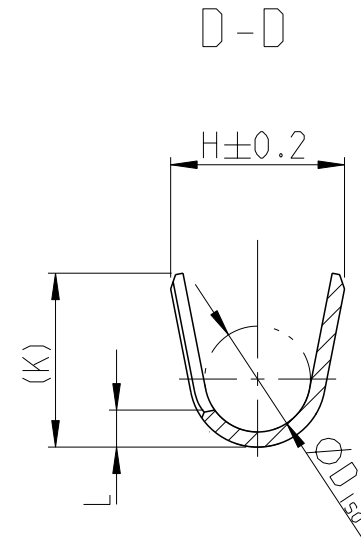
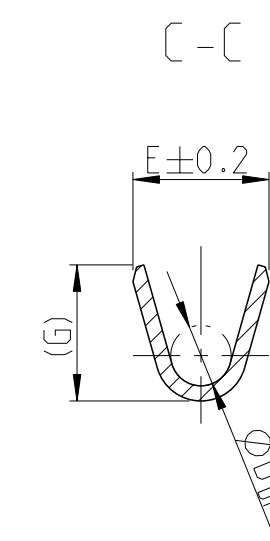
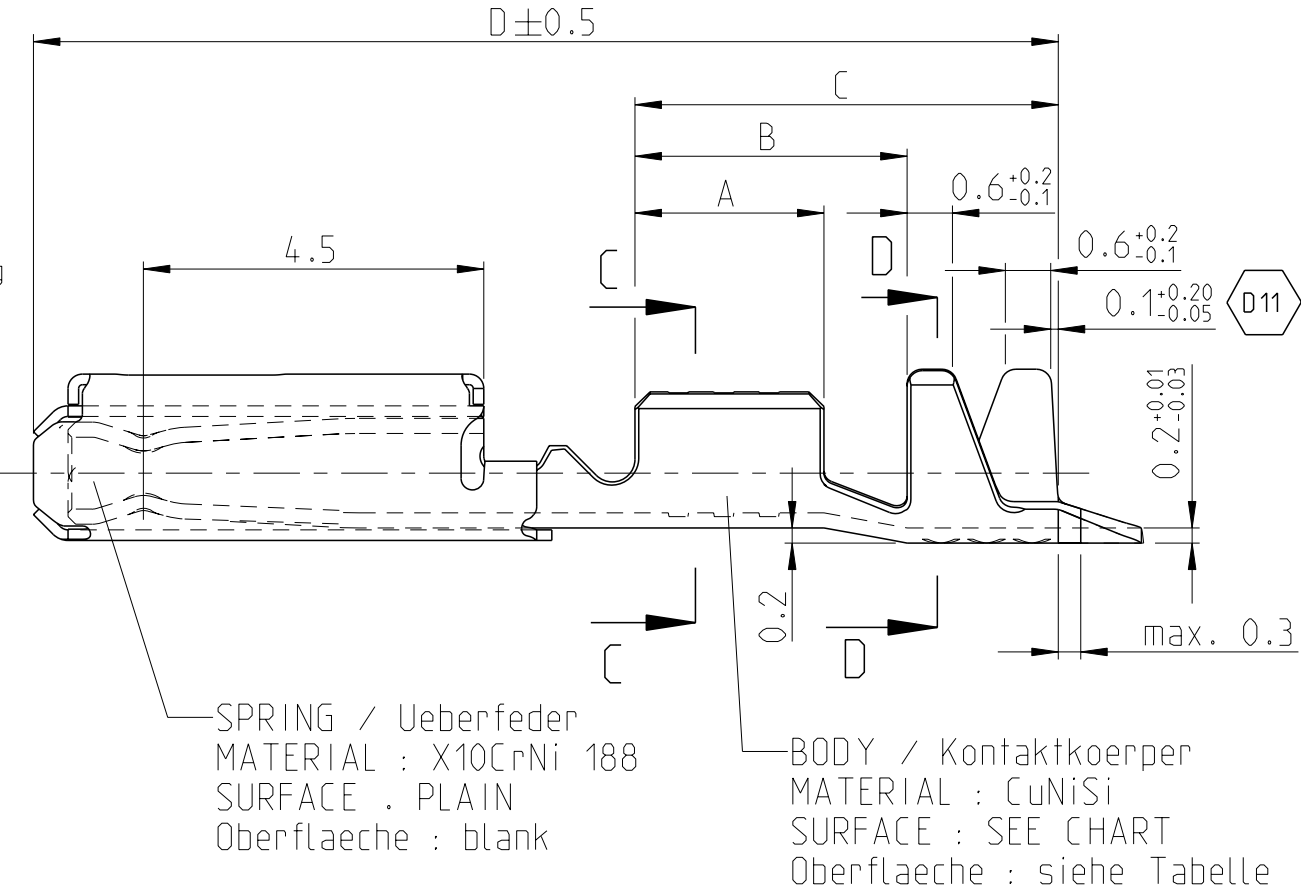
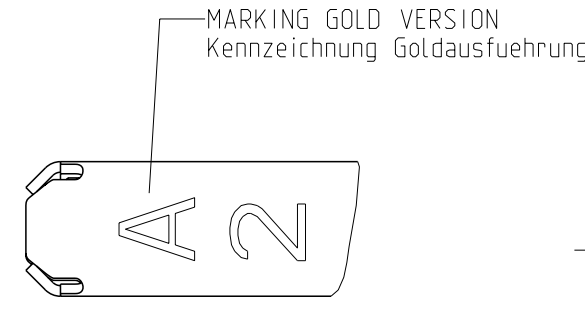
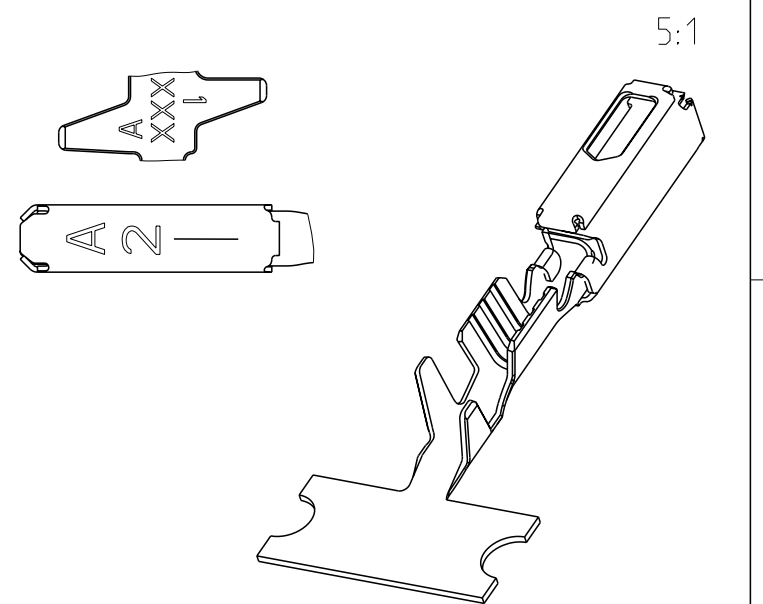


LOC	DIST	REVISIONS					
A1	-	P	LTR	DESCRIPTION	DATE	DWN	APVD
		D8		2295077-1 ADDED PER ECR-15-017111	23NOV2015	MAH.	BRUN
		D9		New View for Gold Version added	03APR2019	FRAN	BERG
		D10		See PCN E-19-011079	09DEC2019	MAH.	BERG
		D11		See PCN E-20-001102	27AUG2020	MAH.	BERG



NOTES
Bemerkungen

- SUITABLE FOR PIN CONTACT SEE DRAWING: TE: 929453
Passend zu Stiftkontakt siehe Zeichnung: TE: 929453
- FOR FLR-CONDUCTOR ACCORDING TO DIN 72551-6 ONLY
Nur fuer FLR-Leitung nach DIN 72551, Teil 6
- DETAILS OF DESIGN ARE LEFT TO MANUFACTURER
Einzelheiten der Ausfuehrung bleiben dem Hersteller ueberlassen
- TE REVISION AND DIE IDENTIFICATION (E.G. REV. A DIE-NO. 1)
TE Revision und Werkzeug-Nr.(z.B. Rev. A Wkzg.-Nr. 1)
- WITH DOUBLE-OUT DIES THE FIRST SPRING WILL BE PROVIDED WITH AN INDICATION "-"
Bei doppelt fallenden Werkzeugen wird die erste Ueberfeder mit einer Kennzeichnung "-" versehen
- Varianten von Design1 werden durch die entsprechenden Versionen von Design2 ersetzt
VARIANTS OF DESIGN1 ARE SUPERSEDED BY CORRESPONDING VERSIONS OF DESIGN2



ORDER NO. DESIGN Bestell-Nr. Ausfuehrung	ORDER NO. DESIGN Bestell-Nr. Ausfuehrung	REV	ORDER NO. DESIGN Bestell-Nr. Ausfuehrung	REV	WIRE SIZE RANGE DGB mm ²	INSULATION Ø Isolations Ø	SURFACE CONTACT AREA Oberflaeche Kontaktzone	LENGTH Laenge mm	WIRE CRIMP Drahtcrimp mm	INSU. CRIMP Iso' Crimp mm	WEIGHT Gewicht g
-	2295077-1	A	-	-	0.08-0.22	0.85-1.2	Sn	A = 2.5 B = 3.7 C = 5.4 D = 13.6	E = 1.5 G = 1.4 D _{Dr} = 0.2	H = 2.0 K = 1.9 L = 0.65 D _{Iso} = 1.1	0.15
5-1703282-2	-	A	1703282-2	B	0.5-0.75	1.4-1.9	Au	A = 2.8 B = 3.8 C = 5.6 D = 13.6	E = 2 G = 2.1 D _{Dr} = 1	H = 2.7 K = 2.9 L = 0.7 D _{Iso} = 1.4	0.13
5-1703282-1	-	A	1703282-1	A			Ag	A = 2.5 B = 3.6 C = 5.6 D = 13.6	E = 1.8 G = 1.8 D _{Dr} = 0.8	H = 2.3 K = 2.3 L = 0.6 D _{Iso} = 1.4	0.12
5-1534116-3	-	A	-	-	0.25-0.35	1.2-1.6	Au	A = 2.5 B = 3.6 C = 5.6 D = 13.6	E = 1.8 G = 1.8 D _{Dr} = 0.8	H = 2.3 K = 2.3 L = 0.6 D _{Iso} = 1.4	0.12
5-1534116-2	-	A	1534116-2	B			Sn				
5-1534116-1	-	A	1534116-1	B							

THIS DRAWING IS A CONTROLLED DOCUMENT.		DWN R.Schaefer 29JAN2002	TE Connectivity	
DIMENSIONS: mm		CHK H.Kampmann 05JUL2007		
TOLERANCES UNLESS OTHERWISE SPECIFIED:		APVD M.Bleicher 29APR2008	NAME MQS 2POINT, CLEANBODY	
		PRODUCT SPEC 108-18874	PRODUCT GROUP DRAWING SOCKET CONTACT	
MATERIAL		APPLICATION SPEC 114-18021	SIZE A2	RESTRICTED TO
		WEIGHT -	CAGE CODE 00779	
		CUSTOMER DRAWING	DRAWING NO. G= 1534615	
		SCALE 10:1	SHEET 1 OF 1	REV 011

X-ON Electronics

Largest Supplier of Electrical and Electronic Components

Click to view similar products for [TE Connectivity](#) manufacturer:

Other Similar products are found below :

[D38999/24FJ4AN](#) [570416-000](#) [CLTEQ-M81CE-SSRELAY-4-20V](#) [4-1195131-0](#) [650069-000](#) [SMD100-2](#) [358838-000](#) [CB-1022B-78](#)
[RM707012](#) [RP410012](#) [MMS42](#) [1-640426-8](#) [2EDL4CM](#) [DTS20W19-11PD-3028-LC](#) [RM202615](#) [NC6-P104-06](#) [MSPS103B](#) [DTS26F21-](#)
[41HE-LC](#) [DTS26F21-41AE](#) [DTS26F21-41PE-LC](#) [DTS26F21-11SE-3028-LC](#) [30DCB6](#) [1932144-1](#) [293545-4](#) [LVR125S](#) [MS27466T25F4PB](#)
[CKB-38-78010](#) [TR04AI-TINELLOCKRING](#) [1206SFF150F/63-2](#) [D38999/20JB35HA](#) [TE1500A2R2J](#) [D38999/20WC8BB](#) [DTS24F19-11SC-](#)
[3028-LC](#) [D38999/24WG11HA](#) [D38999/24WG11HN](#) [MS27467T21F11H](#) [DJT16E21-11HA](#) [MS27467T21F35J](#) [MS27467T21F11J](#)
[MS27467T21F16H-LC](#) [MS27467T21F35H](#) [MS27467T21F41H-LC](#) [1206SFH150F/24-2](#) [RP330024](#) [DJT16E21-11PA-LC](#) [DJT16E21-11HA-](#)
[LC](#) [DJT16E21-11AA](#) [MS27467T21B11JA](#) [DJT16E21-11JA](#) [MS27467T21B11JA-LC](#)