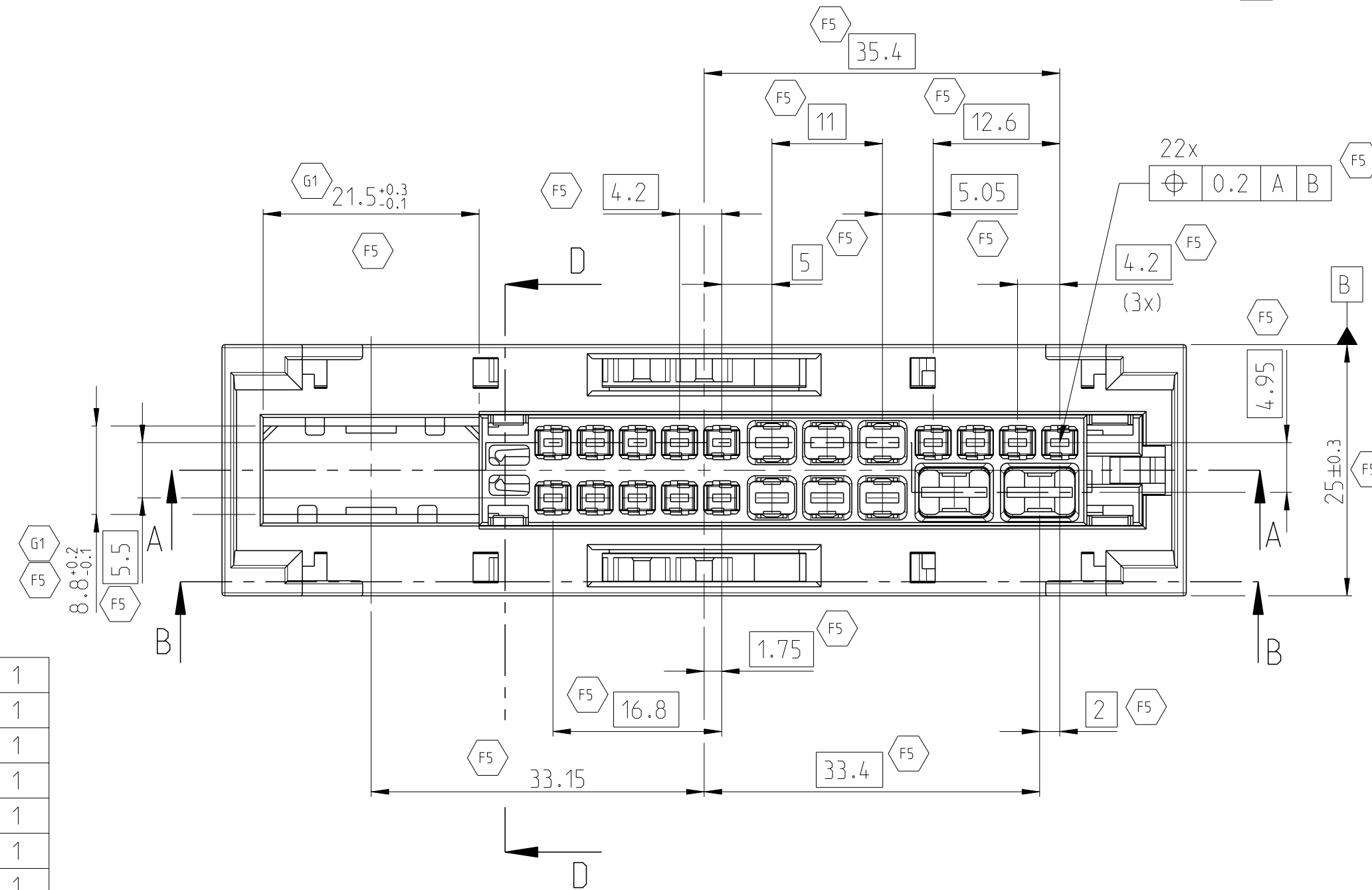
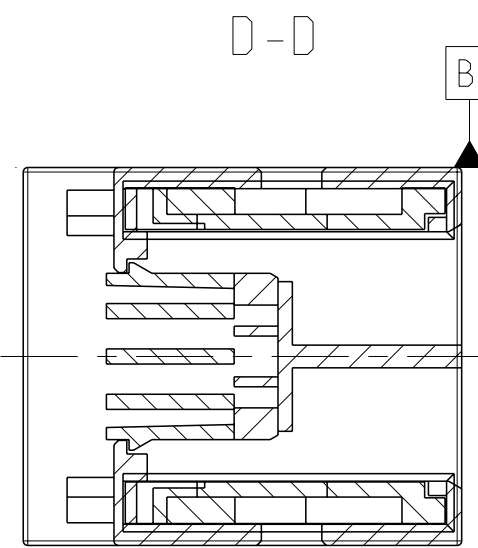
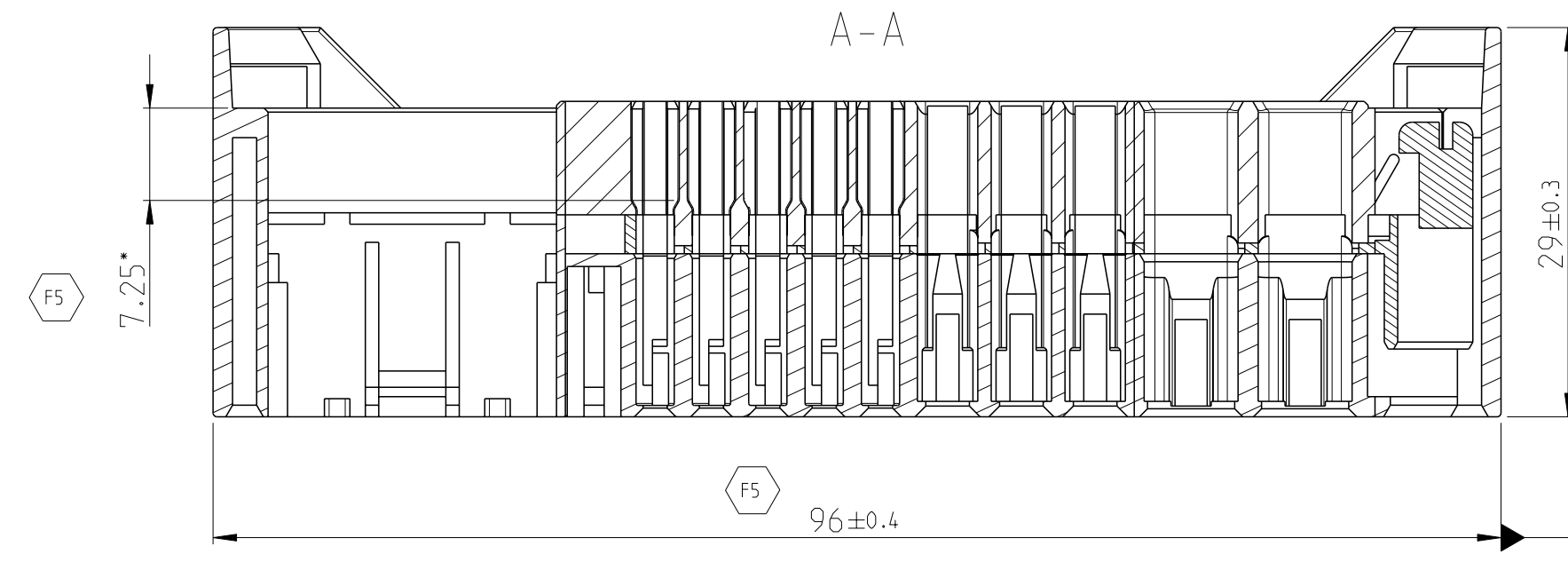
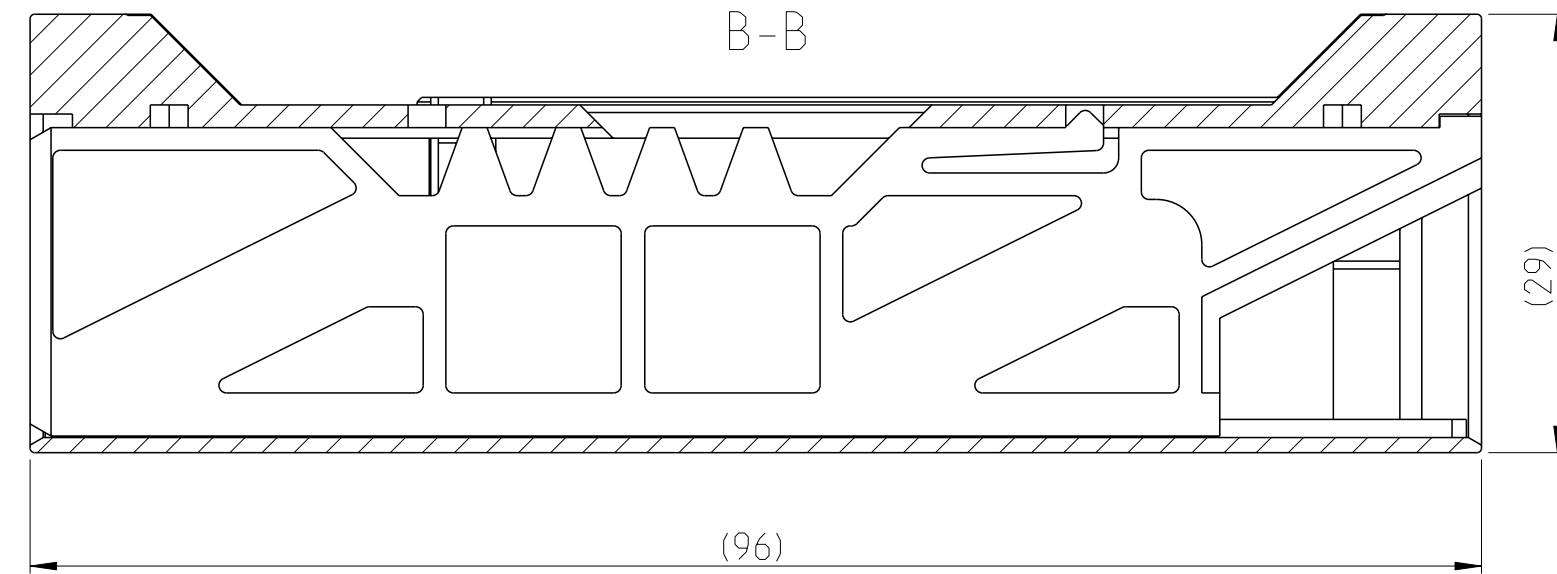
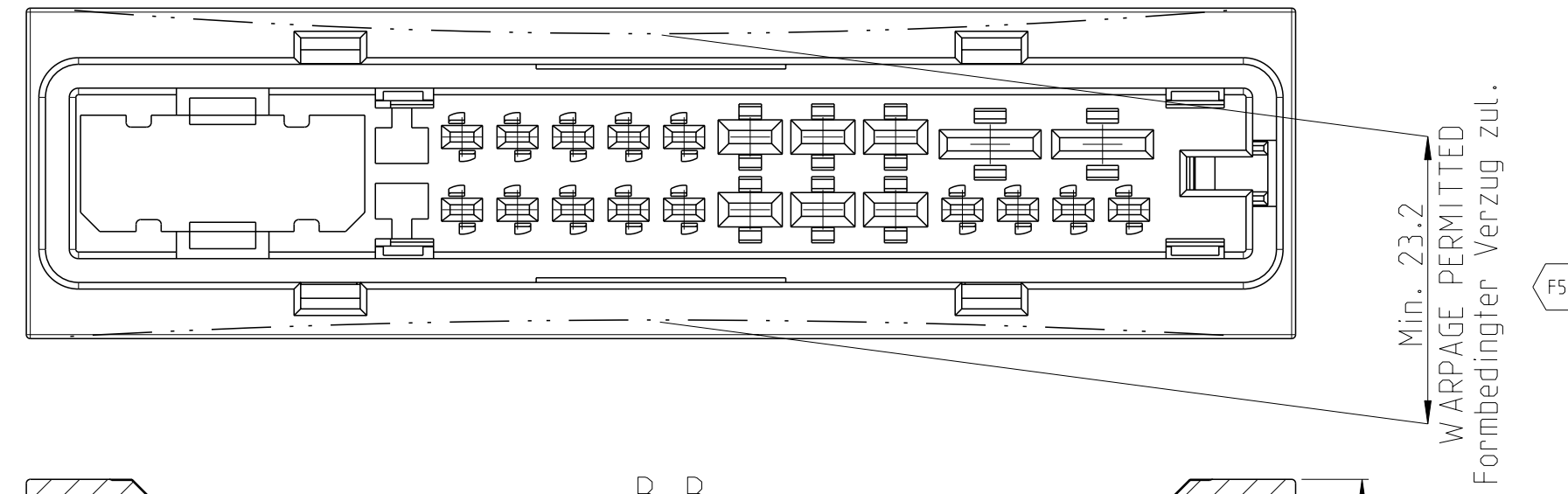
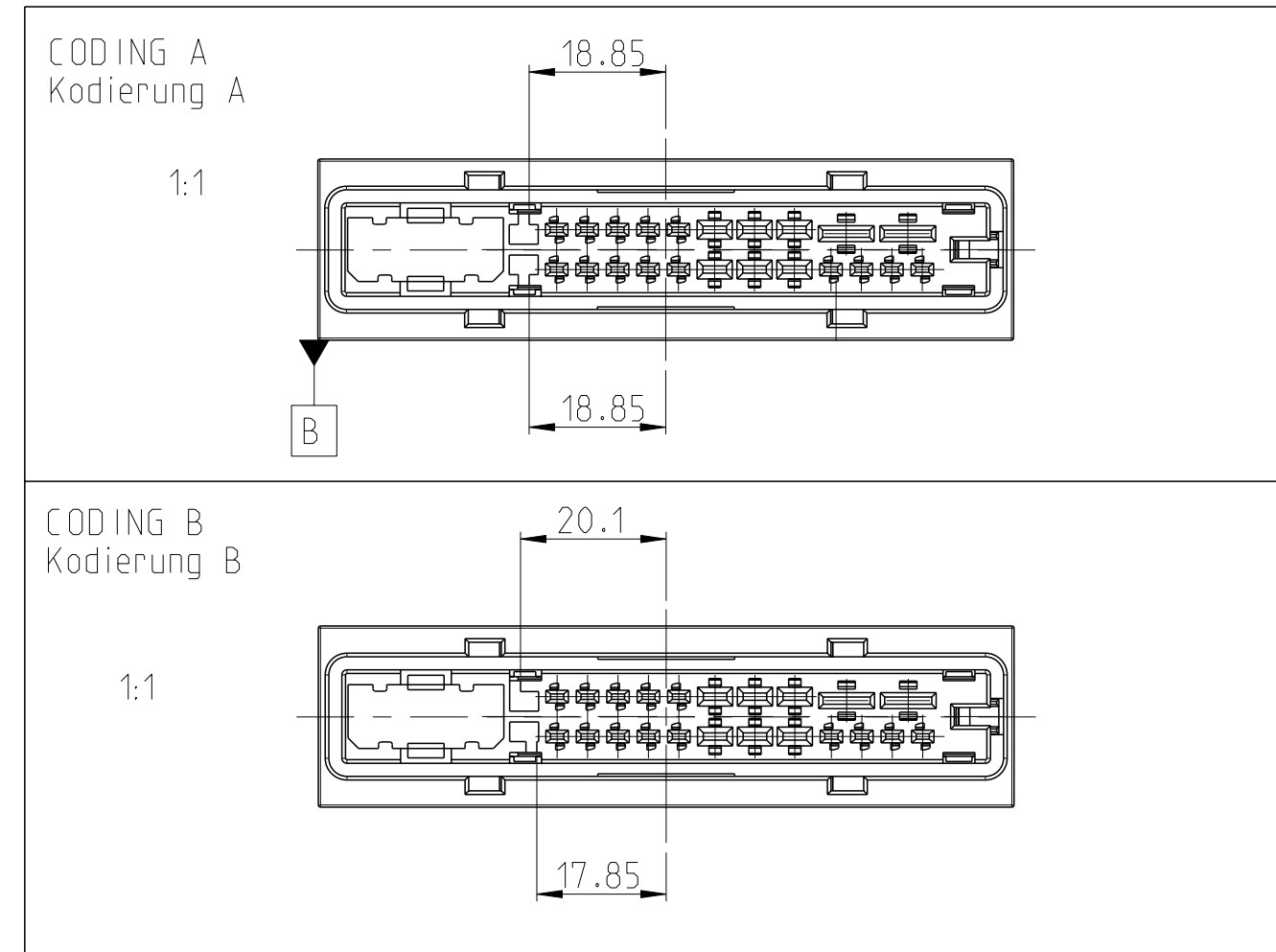
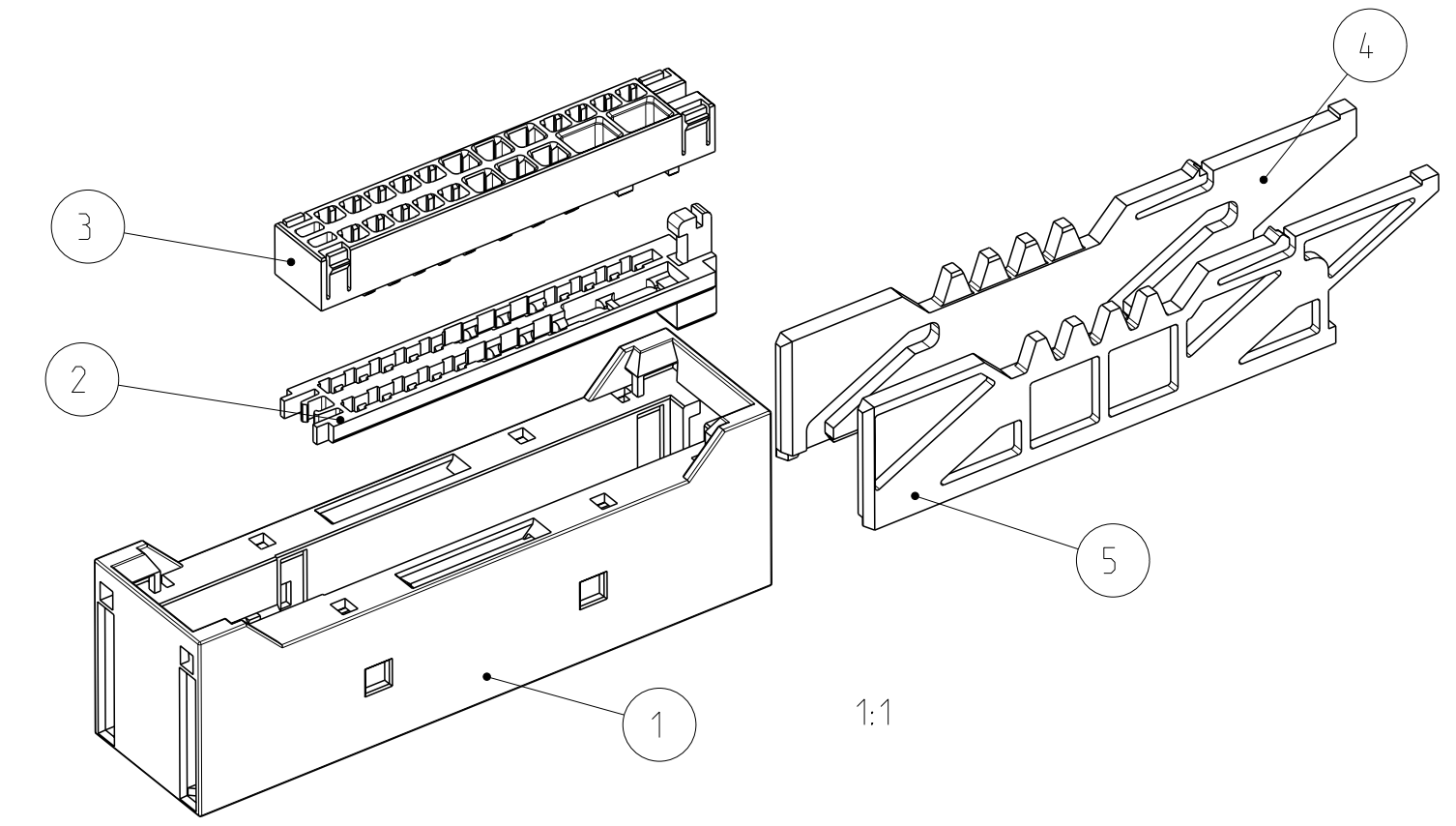


IN CONSEQUENCE OF INCIDENCE / DISTORTION  
IS PERMITTED IN THIS RANGE  
Bedingt durch Einfall / Verzug  
in diesem Bereich zulaessig

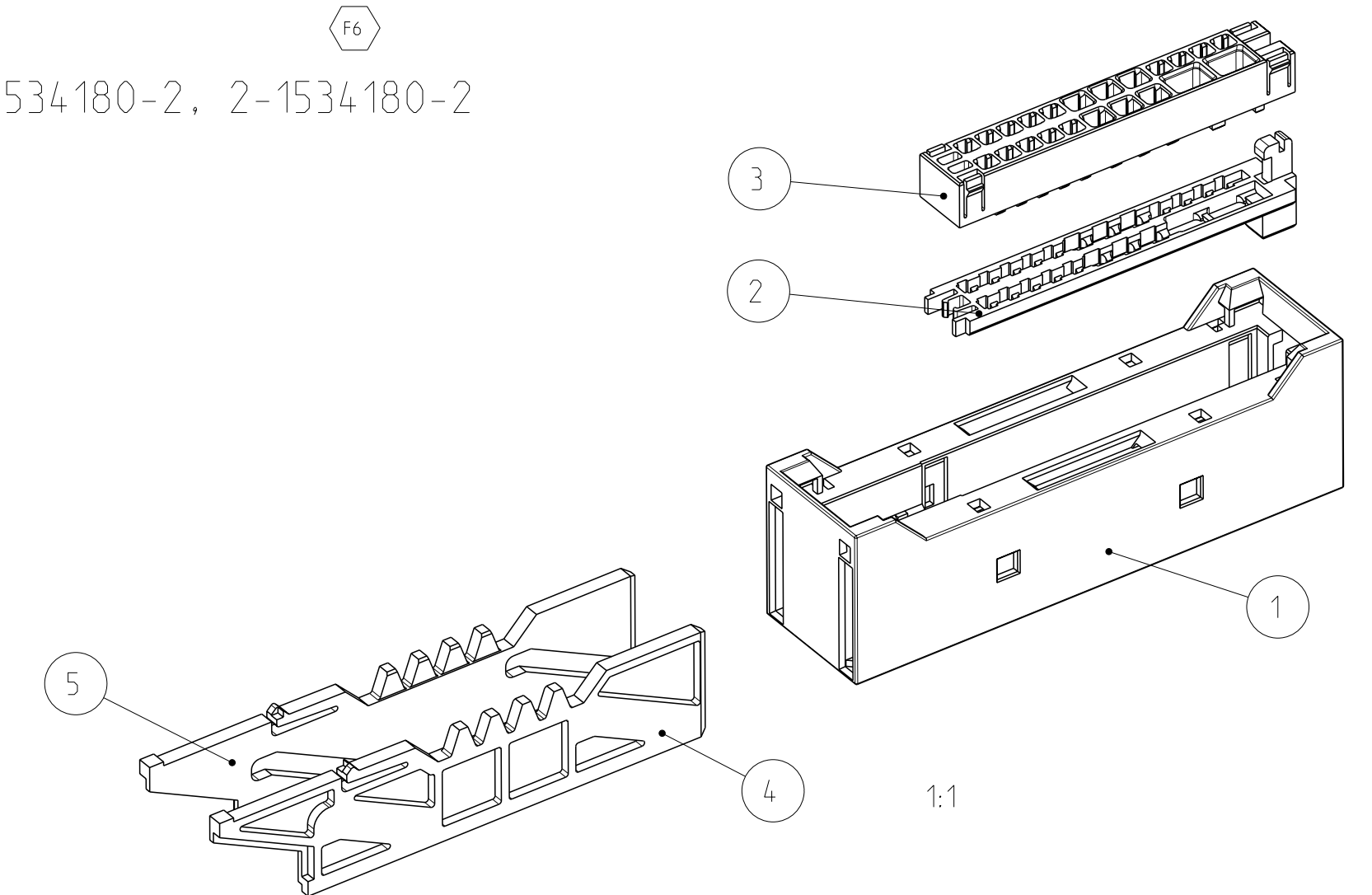
REVISIONS					
F	CLM	DESCRIPTION	DATE	OWN	APVD
F4		Add new version 2-1534180-1	29JUL2011	GB	SzG
F5		ECR-15-001938	13FEB2015	JB,JH	GB
F6		Add new version 2-1534180-2	19NOV2015	JB,JH	GB
G1		Material replacement of Slides,Retainer, H.plate	03MAY2021	GB	SzG



1534180-1, 2-1534180-1



1534180-2, 2-1534180-2



- PACKAGING: INTERLAYER PACKAGING IN CORRUGATED BOX  
Verpackung: Lagenweise im Karton
- SUITABLE TAB HEADER 1534531  
Passende Stiftsteiste 1534531
- SUITABLE CONTACTS / Passende Kontakte  
MCP 1.5: 1241372, 1241374, 1534334  
MCP 2.8: 1241386, 1241388, 1241390  
MCP 4.8: 1241400, 1241402, 1241404, 1241406  
MQS 0.63: 928999, 963715
- FORM CONDITIONED DELAY OF  $\pm 0.3$  ADMISSIBLE  
Formbedingter Verzug zul.  $\pm 0.3$

ORDER-NO. Bestell-Nr.	ITEM Nr.	Rev.	Cod.	PART-NO. Teil-Nr.	Material	COLOUR Farbe	DISCRIPTION Benennung	QTY. St.
2-1534180-2	5		B	1534179-1	PBT-GF30	BLACK / schwarz	SLIDE LEFT / Schieber, links	1
	4		B	1534178-1	PBT-GF30	BLACK / schwarz	SLIDE RIGHT / Schieber, rechts	1
	3		B	1534052-1	PA6-GF15	BLACK / schwarz	HOLDER-PLATE / Halteplatte	1
	2		B	1534051-1	PA6-GF30	VIOLET / violett	RETAINER / Halter	1
	1		B	2-1534050-2	PBT+ASA-GF20	WHITE / weiß	CARRIER HSG. / Traeger haeuse	1
2-1534180-1	5		B	1534179-1	PBT-GF30	BLACK / schwarz	SLIDE LEFT / Schieber, links	1
	4		B	1534178-1	PBT-GF30	BLACK / schwarz	SLIDE RIGHT / Schieber, rechts	1
	3		B	1534052-1	PA6-GF15	BLACK / schwarz	HOLDER-PLATE / Halteplatte	1
	2		B	1534051-1	PA6-GF30	VIOLET / violett	RETAINER / Halter	1
	1		B	2-1534050-1	PBT+ASA-GF20	WHITE / weiß	CARRIER HSG. / Traeger haeuse	1
1534180-2	5		C	1534179-1	PBT-GF30	BLACK / schwarz	SLIDE LEFT / Schieber, links	1
	4		C	1534178-1	PBT-GF30	BLACK / schwarz	SLIDE RIGHT / Schieber, rechts	1
	3		C	1534052-1	PA6-GF15	BLACK / schwarz	HOLDER-PLATE / Halteplatte	1
	2		C	1534051-1	PA6-GF30	VIOLET / violett	RETAINER / Halter	1
	1		C	2-1534050-2	PBT+ASA-GF20	BLACK / schwarz	CARRIER HSG. / Traeger haeuse	1
1534180-1	5		F	1534179-1	PBT-GF30	BLACK / schwarz	SLIDE LEFT / Schieber, links	1
	4		F	1534178-1	PBT-GF30	BLACK / schwarz	SLIDE RIGHT / Schieber, rechts	1
	3		F	1534052-1	PA6-GF15	BLACK / schwarz	HOLDER-PLATE / Halteplatte	1
	2		F	1534051-1	PA6-GF30	VIOLET / violett	RETAINER / Halter	1
	1		F	1534050-1	PBT+ASA-GF20	BLACK / schwarz	CARRIER HSG. / Traeger haeuse	1

PRODUCT CHARACTERISTICS ACC. QMP EMEA_12 BESONDERE MERKMALE NACH QMP EMEA_12		TOLERANCES UNLESS OTHERWISE SPECIFIED ACC. TO DIN 16901-140 (CENTRIC TO NOMINAL DIMENSION, EDITION 1982-11). FREIHALTUNG NACH DIN 16901-140 (ZENTRIERT ZUM NENNDIMENSION, AUSGABE 1982-11).	
THIS DRAWING IS A CONTROLLED DOCUMENT. DIMENSIONING AND TOLERANCING PER GPS (ISO STANDARDS)		OWN: R. Dierkes CHK: B. Leonhardt	DATE: 04MAR2004 REV: 09MAR2004
DIMENSIONS: mm	TOLERANCES UNLESS OTHERWISE SPECIFIED: mm	APVD: -	NAME: -
0 PLC 1 PLC 2 PLC 3 PLC	±0.1 ±0.1 ±0.1 ±0.1	PRODUCT SPEC 108-18950	APPLICATION SPEC
MATERIAL: -	FINISH: -	WEIGHT: 114-18619-001	RESTRICTED TO: -
Customer Drawing	SCALE: 2:1	SHEET: 1 OF 1	REV: G1

**TE** TE Connectivity

REC. HOUSING 32POS. MCP. SUB-ASSY.  
Buchsengehäuse 32pol. MCP, ZSB

SIZE: 114-18619-001  
CAGE CODE: 00779  
DRAWING NO: 1534180

## X-ON Electronics

Largest Supplier of Electrical and Electronic Components

*Click to view similar products for [Automotive Connectors](#) category:*

*Click to view products by [TE Connectivity](#) manufacturer:*

Other Similar products are found below :

[003-018-000](#) [60403001](#) [60993906-B](#) [M902-2131](#) [M902-2161](#) [M902-2344](#) [72.330.1035.1](#) [73.353.4028.0](#) [F119300-B](#) [F166900](#) [F258300-B](#)  
[F358300-B](#) [F407400](#) [F444110](#) [F487000](#) [F509500B-B](#) [827153-1](#) [8N1515-32-24P](#) [9-1326729-8](#) [925474-1](#) [928905-1](#) [964562-4](#) [968782-1](#)  
[GT17SA-8DS-HU](#) [98891-1012](#) [98947-1016](#) [12004147](#) [12004475-L](#) [12010290](#) [12010309-B](#) [12015454](#) [12020219-B](#) [12041318-B](#) [12052225-](#)  
[L](#) [12052466](#) [12064869](#) [12004327-B](#) [12015308](#) [12015384](#) [12015909](#) [1-21030-1](#) [12041254](#) [12041318](#) [12047946-B](#) [12047957](#) [12047957-L](#)  
[12059473](#) [12066261](#) [12110546](#) [12110546-B](#)