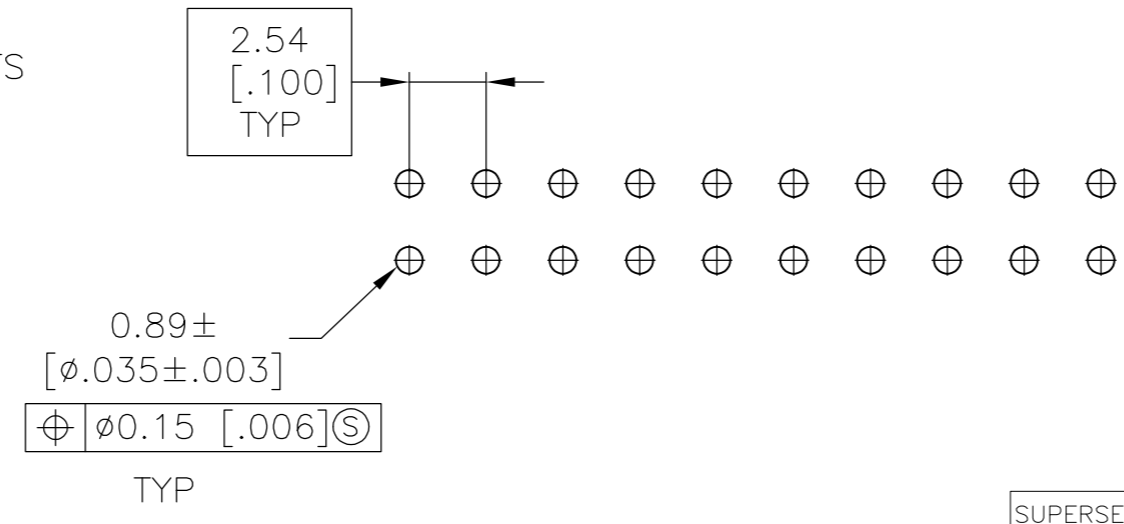
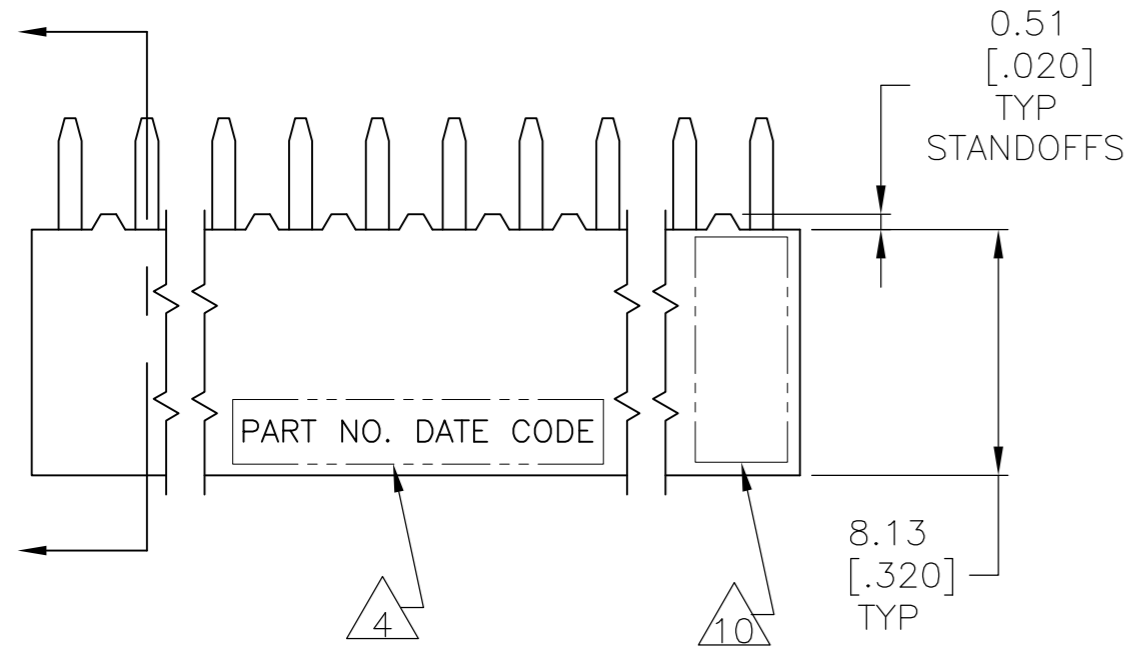
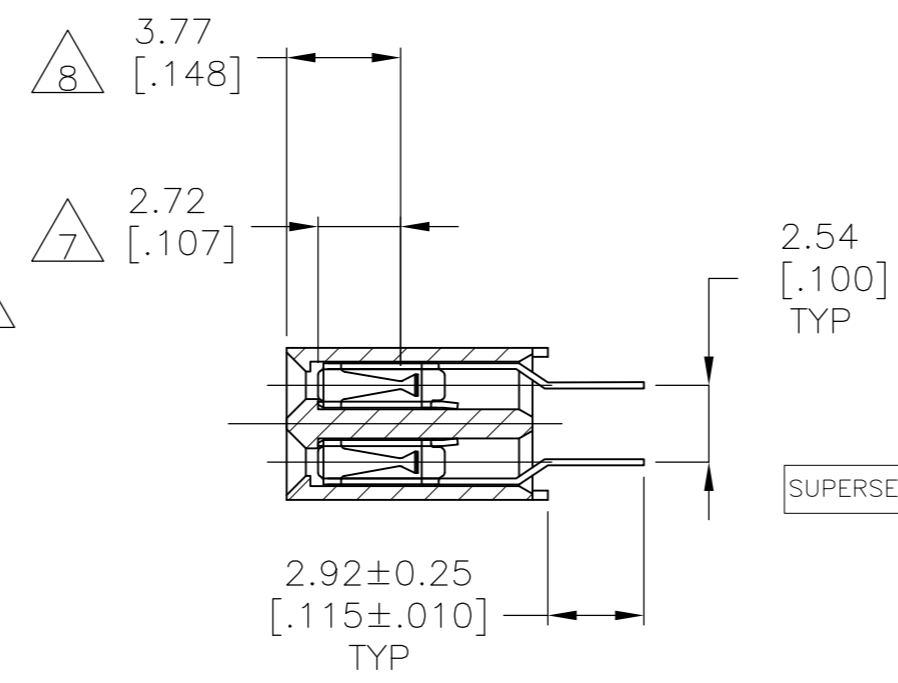
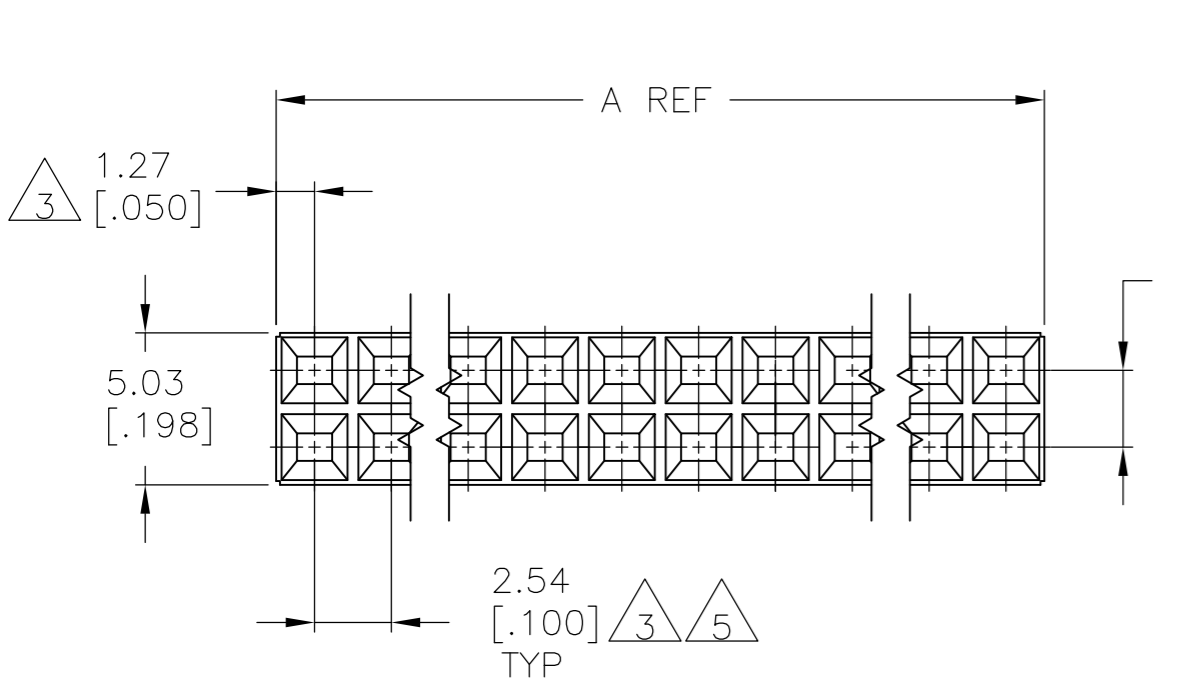


THIS DRAWING IS UNPUBLISHED. RELEASED FOR PUBLICATION  
 © COPYRIGHT - By - ALL RIGHTS RESERVED.

| LOC |     | DIST        |                           | REVISIONS |      |         |      |    |
|-----|-----|-------------|---------------------------|-----------|------|---------|------|----|
| P   | LTR | DESCRIPTION |                           |           | DATE | DWN     | APVD |    |
| AD  | 00  | R7          | REVISED PER ECO-13-005565 |           |      | 01APR13 | KH   | JO |



RECOMENDED PC BOARD HOLE PATTERN  
 PC BOARD THICKNESS 1.57[.062]



SUPERSEDED BY 8-534206-5

SUPERSEDED BY 7-534206-1

|   |               |                |    |            |
|---|---------------|----------------|----|------------|
| 2 | 99.06 [3.900] | 101.60 [4.000] | 80 | 4-534206-0 |
| 2 | 96.52 [3.800] | 99.06 [3.900]  | 78 | 3-534206-9 |
| 2 | 93.98 [3.700] | 96.52 [3.800]  | 76 | 3-534206-8 |
| 2 | 91.44 [3.600] | 93.98 [3.700]  | 74 | 3-534206-7 |
| 2 | 88.90 [3.500] | 91.44 [3.600]  | 72 | 3-534206-6 |
| 2 | 86.36 [3.400] | 88.90 [3.500]  | 70 | 3-534206-5 |
| 2 | 83.82 [3.300] | 86.36 [3.400]  | 68 | 3-534206-4 |
| 2 | 81.28 [3.200] | 83.82 [3.300]  | 66 | 3-534206-3 |
| 2 | 78.74 [3.100] | 81.28 [3.200]  | 64 | 3-534206-2 |
| 2 | 76.20 [3.000] | 78.74 [3.100]  | 62 | 3-534206-1 |
| 2 | 73.66 [2.900] | 76.20 [3.000]  | 60 | 3-534206-0 |
| 2 | 71.12 [2.800] | 73.66 [2.900]  | 58 | 2-534206-9 |
| 2 | 68.58 [2.700] | 71.12 [2.800]  | 56 | 2-534206-8 |
| 2 | 66.04 [2.600] | 68.58 [2.700]  | 54 | 2-534206-7 |
| 2 | 63.50 [2.500] | 66.04 [2.600]  | 52 | 2-534206-6 |
| 2 | 60.96 [2.400] | 63.50 [2.500]  | 50 | 2-534206-5 |
| 2 | 58.42 [2.300] | 60.96 [2.400]  | 48 | 2-534206-4 |
| 2 | 55.88 [2.200] | 58.42 [2.300]  | 46 | 2-534206-3 |
| 2 | 53.34 [2.100] | 55.88 [2.200]  | 44 | 2-534206-2 |
| 2 | 50.80 [2.000] | 53.34 [2.100]  | 42 | 2-534206-1 |
| 2 | 48.26 [1.900] | 50.80 [2.000]  | 40 | 2-534206-0 |
| 2 | 45.72 [1.800] | 48.26 [1.900]  | 38 | 1-534206-9 |
| 2 | 43.18 [1.700] | 45.72 [1.800]  | 36 | 1-534206-8 |
| 2 | 40.64 [1.600] | 43.18 [1.700]  | 34 | 1-534206-7 |
| 2 | 38.10 [1.500] | 40.64 [1.600]  | 32 | 1-534206-6 |
| 2 | 35.56 [1.400] | 38.10 [1.500]  | 30 | 1-534206-5 |
| 2 | 33.02 [1.300] | 35.56 [1.400]  | 28 | 1-534206-4 |
| 2 | 30.48 [1.200] | 33.02 [1.300]  | 26 | 1-534206-3 |
| 2 | 27.94 [1.100] | 30.48 [1.200]  | 24 | 1-534206-2 |
| 2 | 25.40 [1.000] | 27.94 [1.100]  | 22 | 1-534206-1 |
| 2 | 22.86 [.900]  | 25.40 [1.000]  | 20 | 1-534206-0 |
| 2 | 20.32 [.800]  | 22.86 [.900]   | 18 | 534206-9   |
| 2 | 17.78 [.700]  | 20.32 [.800]   | 16 | 534206-8   |
| 2 | 15.24 [.600]  | 17.78 [.700]   | 14 | 534206-7   |
| 2 | 12.70 [.500]  | 15.24 [.600]   | 12 | 534206-6   |
| 2 | 10.16 [.400]  | 12.70 [.500]   | 10 | 534206-5   |
| 2 | 7.62 [.300]   | 10.16 [.400]   | 8  | 534206-4   |
| 2 | 5.08 [.200]   | 7.62 [.300]    | 6  | 534206-3   |
| 2 | 2.54 [.100]   | 5.08 [.200]    | 4  | 534206-2   |
| 2 | -             | 2.54 [.100]    | 2  | 534206-1   |

- 1 HOUSING: FLAME RETARDANT, GLASS FILLED, POLYESTER, COLOR: BLACK. CONTACT: PHOSPHOR BRONZE
- 2 CONTACT: DUPLEX PLATED 0.76µm[.000030] GOLD IN CONTACT AREA, 3.81-7.62µm[.000150-.000300] BRIGHT TIN-LEAD ON LEADS ALL OVER 1.27µm[.000050] MINIMUM NICKEL
- 3 THESE DIMENSIONS PERTAIN TO CAVIITY CENTERLINES ONLY - NOT TO CONTACT LOCATIONS
- 4 PART NUMBER AND DATE CODE ARE MARKED IN APPROXIMATE LOCATION SHOWN,EITHER SIDE.
- 5 TOLERANCE IS NON-CUMULATIVE.
- 6 2 POSITION DATE CODE IS MARKED OPPOSITE SIDE OF TE CONNECTIVITY LOGO.
- 7 POINT-OF-MEASUREMENT DIMENSION FOR PLATING THICKNESS (INSIDE CONTACT BEAM).
- 8 POINT-OF-CONTACT DIMENSION.
- 9 NO PART NUMBER MARKING REQUIRED FOR THIS PART.
- 10 TE LOGO AND CSA LOGO ARE MOLDED INTO HOUSING.
- 11 CONTACT: DUPLEX PLATED 0.76µm[.000030] MIN GOLD IN CONTACT AREA, 3.81-7.62µm[.000150-.000300] MATTE TIN ON LEADS ALL OVER 1.27µm[.000050] MIN NICKEL
- 12 ROHS 2002 /95/EC COMPLIANT.

| FINISH | B | A | NO OF POSN | PART NUMBER |
|--------|---|---|------------|-------------|
|        |   |   |            |             |

THIS DRAWING IS A CONTROLLED DOCUMENT.

|                  |           |           |
|------------------|-----------|-----------|
| DWN              | M.BINNER  | 06NOV2002 |
| CHK              | J.OLSON   | 06NOV02   |
| APVD             | J.OLSON   | 06NOV02   |
| PRODUCT SPEC     | 108-25022 |           |
| APPLICATION SPEC | 114-25018 |           |
| WEIGHT           | -         |           |

TE Connectivity

RECEPTACLE ASSEMBLY, MOD II,  
 DOUBLE ROW, DUAL ENTRY, .100X.100CL,  
 VERTICAL MOUNT, AMPMODU

|       |     |           |        |            |          |               |   |
|-------|-----|-----------|--------|------------|----------|---------------|---|
| SIZE  | A2  | CAGE CODE | 00779  | DRAWING NO | C=534206 | RESTRICTED TO | - |
| SCALE | 4:1 | SHEET     | 1 of 2 | REV        | R7       |               |   |

THIS DRAWING IS UNPUBLISHED. RELEASED FOR PUBLICATION  
 © COPYRIGHT - By - ALL RIGHTS RESERVED.

| LOC | DIST | REVISIONS   |      |     |      |
|-----|------|-------------|------|-----|------|
| P   | LTR  | DESCRIPTION | DATE | DWN | APVD |
| -   | -    | SEE SHEET 1 | -    | -   | -    |

| FINISH | B            | A             | NO OF POSN | PART NUMBER |
|--------|--------------|---------------|------------|-------------|
| 11     | 99.06[3.900] | 101.60[4.000] | 80         | 9-534206-0  |
| 11     | 96.52[3.800] | 99.06[3.900]  | 78         | 8-534206-9  |
| 11     | 93.98[3.700] | 96.52[3.800]  | 76         | 8-534206-8  |
| 11     | 91.44[3.600] | 93.98[3.700]  | 74         | 8-534206-7  |
| 11     | 88.90[3.500] | 91.44[3.600]  | 72         | 8-534206-6  |
| 11     | 86.36[3.400] | 88.90[3.500]  | 70         | 8-534206-5  |
| 11     | 83.82[3.300] | 86.36[3.400]  | 68         | 8-534206-4  |
| 11     | 81.28[3.200] | 83.82[3.300]  | 66         | 8-534206-3  |
| 11     | 78.74[3.100] | 81.28[3.200]  | 64         | 8-534206-2  |
| 11     | 76.20[3.000] | 78.74[3.100]  | 62         | 8-534206-1  |
| 11     | 73.66[2.900] | 76.20[3.000]  | 60         | 8-534206-0  |
| 11     | 71.12[2.800] | 73.66[2.900]  | 58         | 7-534206-9  |
| 11     | 68.58[2.700] | 71.12[2.800]  | 56         | 7-534206-8  |
| 11     | 66.04[2.600] | 68.58[2.700]  | 54         | 7-534206-7  |
| 11     | 63.50[2.500] | 66.04[2.600]  | 52         | 7-534206-6  |
| 11     | 60.96[2.400] | 63.50[2.500]  | 50         | 7-534206-5  |
| 11     | 58.42[2.300] | 60.96[2.400]  | 48         | 7-534206-4  |
| 11     | 55.88[2.200] | 58.42[2.300]  | 46         | 7-534206-3  |
| 11     | 53.34[2.100] | 55.88[2.200]  | 44         | 7-534206-2  |
| 11     | 50.80[2.000] | 53.34[2.100]  | 42         | 7-534206-1  |
| 11     | 48.26[1.900] | 50.80[2.000]  | 40         | 7-534206-0  |
| 11     | 45.72[1.800] | 48.26[1.900]  | 38         | 6-534206-9  |
| 11     | 43.18[1.700] | 45.72[1.800]  | 36         | 6-534206-8  |
| 11     | 40.64[1.600] | 43.18[1.700]  | 34         | 6-534206-7  |
| 11     | 38.10[1.500] | 40.64[1.600]  | 32         | 6-534206-6  |
| 11     | 35.56[1.400] | 38.10[1.500]  | 30         | 6-534206-5  |
| 11     | 33.02[1.300] | 35.56[1.400]  | 28         | 6-534206-4  |
| 11     | 30.48[1.200] | 33.02[1.300]  | 26         | 6-534206-3  |
| 11     | 27.94[1.100] | 30.48[1.200]  | 24         | 6-534206-2  |
| 11     | 25.40[1.000] | 27.94[1.100]  | 22         | 6-534206-1  |
| 11     | 22.86[.900]  | 25.40[1.000]  | 20         | 6-534206-0  |
| 11     | 20.32[.800]  | 22.86[.900]   | 18         | 5-534206-9  |
| 11     | 17.78[.700]  | 20.32[.800]   | 16         | 5-534206-8  |
| 11     | 15.24[.600]  | 17.78[.700]   | 14         | 5-534206-7  |
| 11     | 12.70[.500]  | 15.24[.600]   | 12         | 5-534206-6  |
| 9      | 10.16[.400]  | 12.70[.500]   | 10         | 5-534206-5  |
| 9      | 7.62[.300]   | 10.16[.400]   | 8          | 5-534206-4  |
| 9      | 5.08[.200]   | 7.62[.300]    | 6          | 5-534206-3  |
| 9      | 2.54[.100]   | 5.08[.200]    | 4          | 5-534206-2  |
| 9      | -            | 2.54[.100]    | 2          | 5-534206-1  |

|  |                |                               |   |                    |                        |
|--|----------------|-------------------------------|---|--------------------|------------------------|
| THIS DRAWING IS A CONTROLLED DOCUMENT.   |                | DWN<br>M.BINNER<br>06NOV2002  | <b>STE</b> TE Connectivity  |                    |                        |
| DIMENSIONS:<br>mm [INCHES]   |                | CHK<br>J.OLSON<br>06NOV02     |   |                    |                        |
| TOLERANCES UNLESS OTHERWISE SPECIFIED:   |                | APVD<br>J.OLSON<br>06NOV02    | NAME<br>RECEPTACLE ASSEMBLY, MOD II,<br>DOUBLE ROW, DUAL ENTRY, .100X.100CL,<br>VERTICAL MOUNT, AMPMODU |                    |                        |
| 0 PLC ± -<br>1 PLC ± -<br>2 PLC ± 0.13[.005]<br>3 PLC ± -<br>4 PLC ± -<br>ANGLES ± - |                | PRODUCT SPEC<br>108-25022     | SIZE<br>A2  | CAGE CODE<br>00779 | DRAWING NO<br>C=534206 |
| MATERIAL<br>1  | FINISH<br>2 11 | APPLICATION SPEC<br>114-25018 | RESTRICTED TO<br>-  | SCALE<br>4:1       | SHEET<br>2 OF 2        |
| CUSTOMER DRAWING   |                |                               | REV<br>R7   |                    |                        |

## X-ON Electronics

Largest Supplier of Electrical and Electronic Components

*Click to view similar products for [Headers & Wire Housings](#) category:*

*Click to view products by [TE Connectivity](#) manufacturer:*

Other Similar products are found below :

[892-18-020-10-001101](#) [58102-G61-06LF](#) [582553-1](#) [0009485154](#) [009176003701906](#) [0050291907](#) [LY20-4P-DT1-P1E-BR](#) [02.125.8002.8](#)  
[609-3404](#) [61062-3](#) [61082-181009](#) [622-3653LF](#) [63453-116](#) [636-1030](#) [636-1427](#) [636-3427](#) [636-4007](#) [641938-9](#) [641991-4](#) [644827-2](#) [65817-](#)  
[010LF](#) [65817-015LF](#) [65863-015LF](#) [66207-023LF](#) [67095-007LF](#) [67601157](#) [68645-018](#) [68648-049](#) [70.362.1628.0](#) [70-4210](#) [70-4226B](#) [70-](#)  
[4853B](#) [707-5020](#) [707-5028](#) [71.350.2428.0](#) [71918-208LF](#) [71961-016LF](#) [733-134](#) [733-162](#) [754199-000](#) [760-3052](#) [787-8014-00](#) [79531-3000](#)  
[FCN-360C032-B](#) [FCN-367T-T012/H](#) [FCN-723D010/2](#) [80.063.4001.1](#) [800-90-001-10-001000](#) [800-90-010-10-002000](#) [801-43-002-10-013000](#)