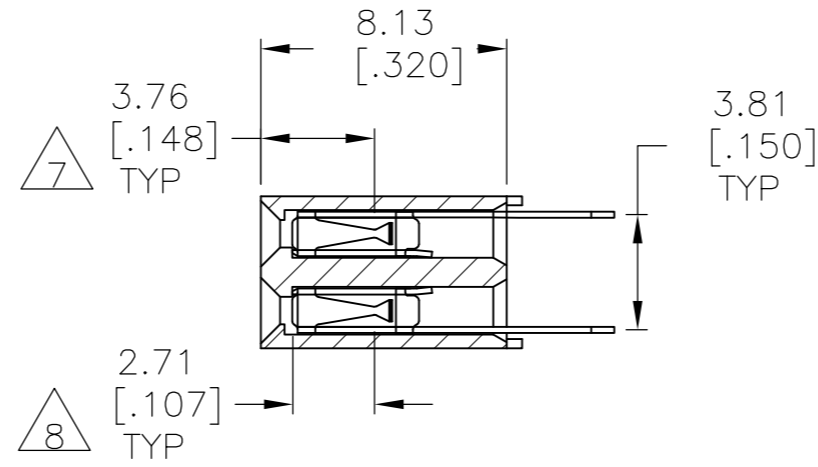
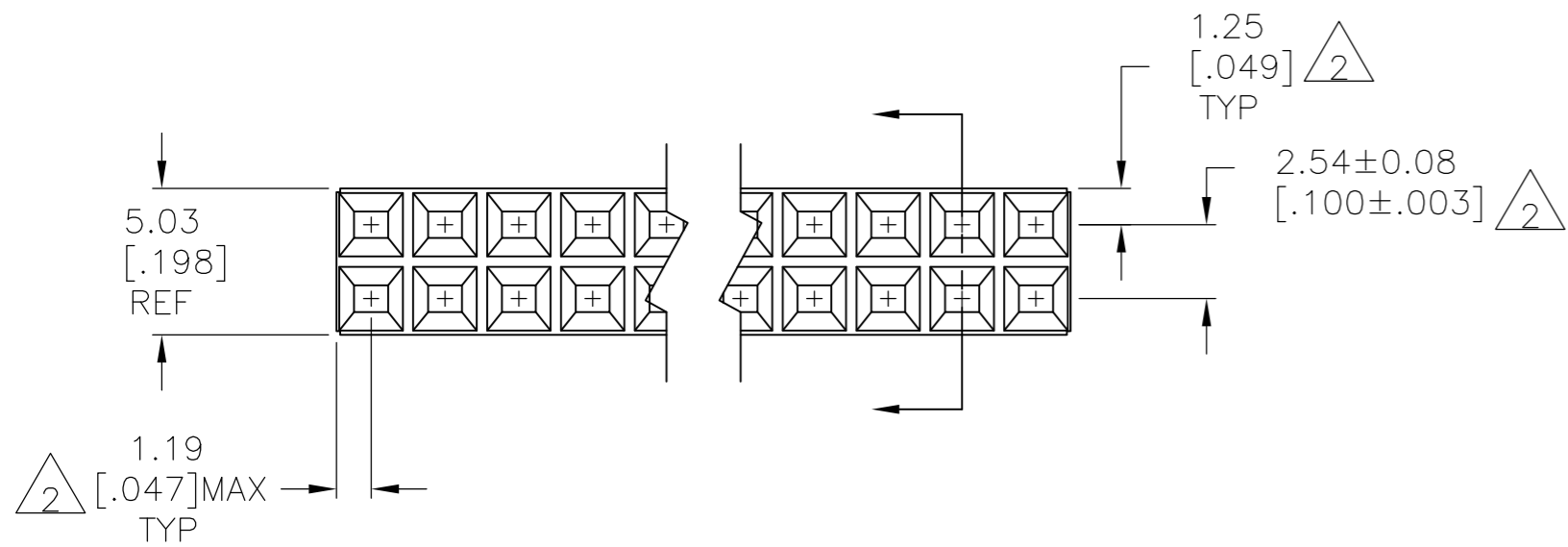
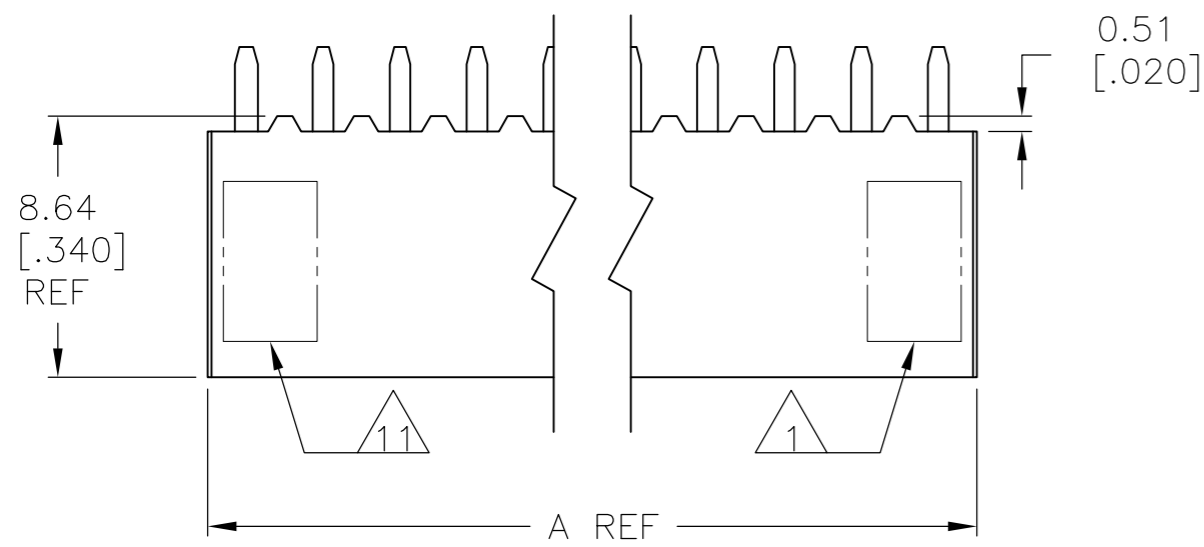
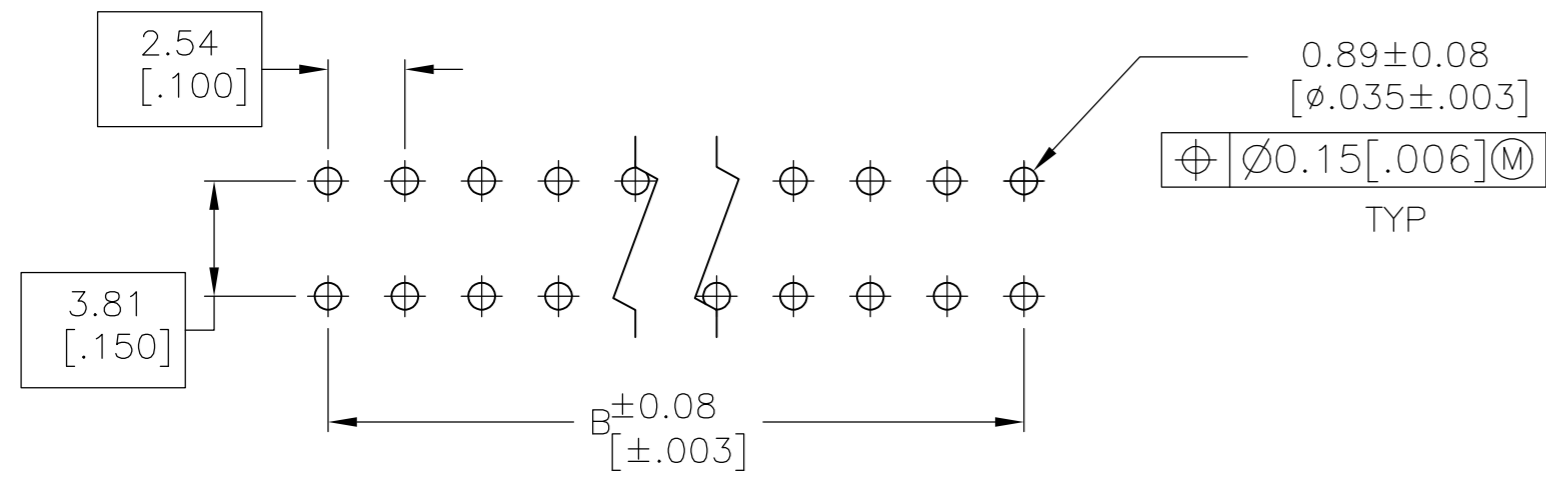


THIS DRAWING IS UNPUBLISHED. RELEASED FOR PUBLICATION
 © COPYRIGHT - By - ALL RIGHTS RESERVED.

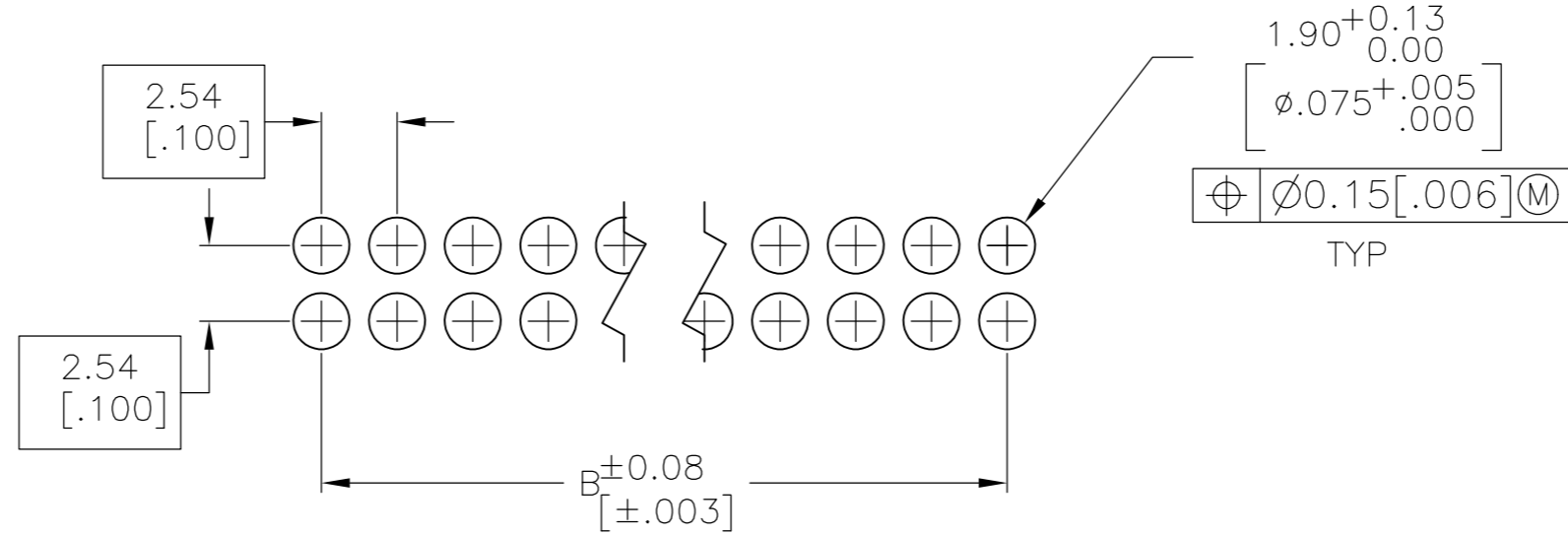
| LOC | | DIST | | REVISIONS | | | |
|-----|-----|---------------------------|--|-----------|-----|------|--|
| P | LTR | DESCRIPTION | | DATE | DWN | APVD | |
| | V2 | REVISED PER ECO-11-004820 | | 11MAR11 | RK | HMR | |



- 1 TE CONNECTIVITY LOGO AND CSA LOGO ARE MOLDED INTO THE HOUSING.
- 2 TOLERANCE NON-CUMULATIVE.
- 3 DUPLEX PLATED: 0.00076 (.000030) GOLD IN CONTACT AREA, .00381-.00762 (.000150-.000300) BRIGHT TIN-LEAD ON LEADS, ALL OVER 0.00127 (.000050) MIN NICKEL.
- 4 THESE DIMENSIONS PERTAIN TO CAVITY C/L'S ONLY, NOT TO CONTACT LOCATIONS.
- 5 NO PART NUMBER MARKING REQUIRED ON THIS PART NUMBER.
- 6 HOUSING: FLAME RETARDANT GLASS FILLED POLYESTER - BLACK. CONTACTS: PHOS. BRONZE.
- 7 POINT OF CONTACT DIMENSION.
- 8 POINT OF MEASUREMENT FOR PLATING THICKNESS (INSIDE CONTACT BEAMS).
- 9 DUPLEX PLATED: 0.00076 (.000030) GOLD DUPLEX IN CONTACT AREA, 0.00381-0.00762 (.000150-.000300) MATTE TIN ON LEADS, ALL OVER 0.00127 (.000050) MIN NICKEL.
- 10 ROHS 2002/95/EC COMPLIANT
- 11 PART NUMBER AND DATE CODE ARE MARKED IN APPROXIMATE LOCATION SHOWN.
- 12 OBSOLETE PARTS: OBSOLETE CIS STREAMLINING PER D.RENAUD/D.SINISI



RECOMENDED HOLE LAYOUT FOR TOP ENTRY



RECOMENDED HOLE LAYOUT FOR BOTTOM ENTRY OR PASS THROUGH APPLICATIONS

| | | | | |
|--|--------------|----------------------------|--|-------------------------------|
| THIS DRAWING IS A CONTROLLED DOCUMENT. | | DWN R. BOLES 19-11-92 | TE Connectivity | |
| DIMENSIONS: mm [INCHES] | | CHK T. KINSEY 19-11-92 | | |
| TOLERANCES UNLESS OTHERWISE SPECIFIED: | | APVD - | NAME | |
| 0 PLC ± - | 1 PLC ± - | PRODUCT SPEC 108-25026 | ASSEMBLY, MOD II DOUBLE ROW, .100 X .100 C/L, VERTICAL MOUNTED, CLOSED ENTRY, SHORT PT. CONTACTS | |
| 2 PLC ± - | 3 PLC ± .005 | APPLICATION SPEC 114-25018 | SIZE A2 | CAGE CODE 00779 |
| 4 PLC ± - | ANGLES ± - | WEIGHT - | DRAWING NO C=534236 | RESTRICTED TO - |
| MATERIAL 6 | FINISH 3 9 | CUSTOMER DRAWING | | SCALE 4:1 SHEET 1 OF 2 REV V2 |

THIS DRAWING IS UNPUBLISHED. RELEASED FOR PUBLICATION
 © COPYRIGHT - By - ALL RIGHTS RESERVED.

| LOC | DIST | REVISIONS | | | | | |
|-----|------|-----------|-----|-------------|------|-----|------|
| AD | 00 | P | LTR | DESCRIPTION | DATE | DWN | APVD |
| | | - | | SEE SHEET 1 | - | - | - |

| | | | | | | | |
|---|----------|---|--------|-------|----|------------|------------|
| 5 | OBSOLETE | 9 | 1.300 | 1.200 | 26 | 10 | 9-534236-1 |
| | | 9 | 4.000 | 3.900 | 80 | 10 | 9-534236-0 |
| | | 9 | 3.900 | 3.800 | 78 | 10 | 8-534236-9 |
| | | 9 | 3.800 | 3.700 | 76 | 10 | 8-534236-8 |
| | | 9 | 3.700 | 3.600 | 74 | 10 | 8-534236-7 |
| | | 9 | 3.600 | 3.500 | 72 | 10 | 8-534236-6 |
| | | 9 | 3.500 | 3.400 | 70 | 10 | 8-534236-5 |
| | | 9 | 3.400 | 3.300 | 68 | 10 | 8-534236-4 |
| | | 9 | 3.300 | 3.200 | 66 | 10 | 8-534236-3 |
| | | 9 | 3.200 | 3.100 | 64 | 10 | 8-534236-2 |
| | | 9 | 3.100 | 3.000 | 62 | 10 | 8-534236-1 |
| | | 9 | 3.000 | 2.900 | 60 | 10 | 8-534236-0 |
| | | 9 | 2.900 | 2.800 | 58 | 10 | 7-534236-9 |
| | | 9 | 2.800 | 2.700 | 56 | 10 | 7-534236-8 |
| | | 9 | 2.700 | 2.600 | 54 | 10 | 7-534236-7 |
| | | 9 | 2.600 | 2.500 | 52 | 10 | 7-534236-6 |
| | | 9 | 2.500 | 2.400 | 50 | 10 | 7-534236-5 |
| | | 9 | 2.400 | 2.300 | 48 | 10 | 7-534236-4 |
| | | 9 | 2.300 | 2.200 | 46 | 10 | 7-534236-3 |
| | | 9 | 2.200 | 2.100 | 44 | 10 | 7-534236-2 |
| | | 9 | 2.100 | 2.000 | 42 | 10 | 7-534236-1 |
| | | 9 | 2.000 | 1.900 | 40 | 10 | 7-534236-0 |
| | | 9 | 1.900 | 1.800 | 38 | 10 | 6-534236-9 |
| | OBSOLETE | 9 | 1.800 | 1.700 | 36 | 10 | 6-534236-8 |
| | | 9 | 1.700 | 1.600 | 34 | 10 | 6-534236-7 |
| | OBSOLETE | 9 | 1.600 | 1.500 | 32 | 10 | 6-534236-6 |
| | | 9 | 1.500 | 1.400 | 30 | 10 | 6-534236-5 |
| | OBSOLETE | 9 | 1.400 | 1.300 | 28 | 10 | 6-534236-4 |
| | | 9 | 1.300 | 1.200 | 26 | 10 | 6-534236-3 |
| | | 9 | 1.200 | 1.100 | 24 | 10 | 6-534236-2 |
| | OBSOLETE | 9 | 1.100 | 1.000 | 22 | 10 | 6-534236-1 |
| | | 9 | 1.000 | .900 | 20 | 10 | 6-534236-0 |
| | OBSOLETE | 9 | .900 | .800 | 18 | 10 | 5-534236-9 |
| | | 9 | .800 | .700 | 16 | 10 | 5-534236-8 |
| | | 9 | .700 | .600 | 14 | 10 | 5-534236-7 |
| | | 9 | .600 | .500 | 12 | 10 | 5-534236-6 |
| | | 5 | .500 | .400 | 10 | 10 | 5-534236-5 |
| | 5 | 9 | .400 | .300 | 8 | 10 | 5-534236-4 |
| | 5 | 9 | .300 | .200 | 6 | 10 | 5-534236-3 |
| | 5 | 9 | .200 | .100 | 4 | 10 | 5-534236-2 |
| | 5 | 9 | .100 | - | 2 | 10 | 5-534236-1 |
| | | | FINISH | A | B | NO OF POSN | PART NO. |

| | | | | | | | | |
|---|----|----------|---|--------|-------|----|------------|----------|
| 5 | 12 | OBSOLETE | 3 | 1.300 | 1.200 | 26 | 4-534236-1 | |
| | | | 3 | 4.000 | 3.900 | 80 | 4-534236-0 | |
| | | | 3 | 3.900 | 3.800 | 78 | 3-534236-9 | |
| | | | 3 | 3.800 | 3.700 | 76 | 3-534236-8 | |
| | | | 3 | 3.700 | 3.600 | 74 | 3-534236-7 | |
| | | | 3 | 3.600 | 3.500 | 72 | 3-534236-6 | |
| | | | 3 | 3.500 | 3.400 | 70 | 3-534236-5 | |
| | | | 3 | 3.400 | 3.300 | 68 | 3-534236-4 | |
| | | | 3 | 3.300 | 3.200 | 66 | 3-534236-3 | |
| | | | 3 | 3.200 | 3.100 | 64 | 3-534236-2 | |
| | | | 3 | 3.100 | 3.000 | 62 | 3-534236-1 | |
| | | | 3 | 3.000 | 2.900 | 60 | 3-534236-0 | |
| | | | 3 | 2.900 | 2.800 | 58 | 2-534236-9 | |
| | | | 3 | 2.800 | 2.700 | 56 | 2-534236-8 | |
| | | | 3 | 2.700 | 2.600 | 54 | 2-534236-7 | |
| | | | 3 | 2.600 | 2.500 | 52 | 2-534236-6 | |
| | | | 3 | 2.500 | 2.400 | 50 | 2-534236-5 | |
| | | | 3 | 2.400 | 2.300 | 48 | 2-534236-4 | |
| | | | 3 | 2.300 | 2.200 | 46 | 2-534236-3 | |
| | | | 3 | 2.200 | 2.100 | 44 | 2-534236-2 | |
| | | | 3 | 2.100 | 2.000 | 42 | 2-534236-1 | |
| | | | 3 | 2.000 | 1.900 | 40 | 2-534236-0 | |
| | | | 3 | 1.900 | 1.800 | 38 | 1-534236-9 | |
| | | | 3 | 1.800 | 1.700 | 36 | 1-534236-8 | |
| | | | 3 | 1.700 | 1.600 | 34 | 1-534236-7 | |
| | | | 3 | 1.600 | 1.500 | 32 | 1-534236-6 | |
| | | | 3 | 1.500 | 1.400 | 30 | 1-534236-5 | |
| | | | 3 | 1.400 | 1.300 | 28 | 1-534236-4 | |
| | | | 3 | 1.300 | 1.200 | 26 | 1-534236-3 | |
| | | | 3 | 1.200 | 1.100 | 24 | 1-534236-2 | |
| | | | 3 | 1.100 | 1.000 | 22 | 1-534236-1 | |
| | | | 3 | 1.000 | .900 | 20 | 1-534236-0 | |
| | | | 3 | .900 | .800 | 18 | 534236-9 | |
| | | | 3 | .800 | .700 | 16 | 534236-8 | |
| | | | 3 | .700 | .600 | 14 | 534236-7 | |
| | | | 3 | .600 | .500 | 12 | 534236-6 | |
| | | | 3 | .500 | .400 | 10 | 5 | 534236-5 |
| | | | 3 | .400 | .300 | 8 | 5 | 534236-4 |
| | | | 3 | .300 | .200 | 6 | 5 | 534236-3 |
| | | | 3 | .200 | .100 | 4 | 5 | 534236-2 |
| | | | 3 | .100 | - | 2 | 5 | 534236-1 |
| | | | | FINISH | A | B | NO OF POSN | PART NO. |

THIS DRAWING IS A CONTROLLED DOCUMENT.

| | | |
|------------------|-----------|----------|
| DWN | R. BOLES | 19-11-92 |
| CHK | T. KINSEY | 19-11-92 |
| APVD | - | - |
| PRODUCT SPEC | 108-25026 | |
| APPLICATION SPEC | 114-25018 | |
| WEIGHT | - | |

TE Connectivity

ASSEMBLY, MOD II DOUBLE ROW,
 .100 X .100 C/L, VERTICAL MOUNTED,
 CLOSED ENTRY, SHORT PT. CONTACTS

| | | | | | | | |
|-------|-----|-----------|-------|------------|----------|---------------|---|
| SIZE | A2 | CAGE CODE | 00779 | DRAWING NO | C=534236 | RESTRICTED TO | - |
| SCALE | 4:1 | SHEET | 2 | OF 2 | REV | V2 | |

X-ON Electronics

Largest Supplier of Electrical and Electronic Components

Click to view similar products for [Headers & Wire Housings](#) category:

Click to view products by [TE Connectivity](#) manufacturer:

Other Similar products are found below :

[892-18-020-10-001101](#) [58102-G61-06LF](#) [582553-1](#) [0009485154](#) [009176003701906](#) [0050291907](#) [LY20-4P-DT1-P1E-BR](#) [02.125.8002.8](#)
[609-3404](#) [61062-3](#) [61082-181009](#) [622-3653LF](#) [63453-116](#) [636-1030](#) [636-1427](#) [636-3427](#) [636-4007](#) [641938-9](#) [641991-4](#) [644827-2](#) [65817-010LF](#) [65817-015LF](#) [65863-015LF](#) [66207-023LF](#) [67095-007LF](#) [67601157](#) [68645-018](#) [68648-049](#) [70.362.1628.0](#) [70-4210](#) [70-4226B](#) [70-4853B](#) [707-5020](#) [707-5028](#) [71.350.2428.0](#) [71918-208LF](#) [71961-016LF](#) [733-134](#) [733-162](#) [754199-000](#) [760-3052](#) [787-8014-00](#) [79531-3000](#)
[FCN-360C032-B](#) [FCN-367T-T012/H](#) [FCN-723D010/2](#) [80.063.4001.1](#) [800-90-001-10-001000](#) [800-90-010-10-002000](#) [801-43-002-10-013000](#)