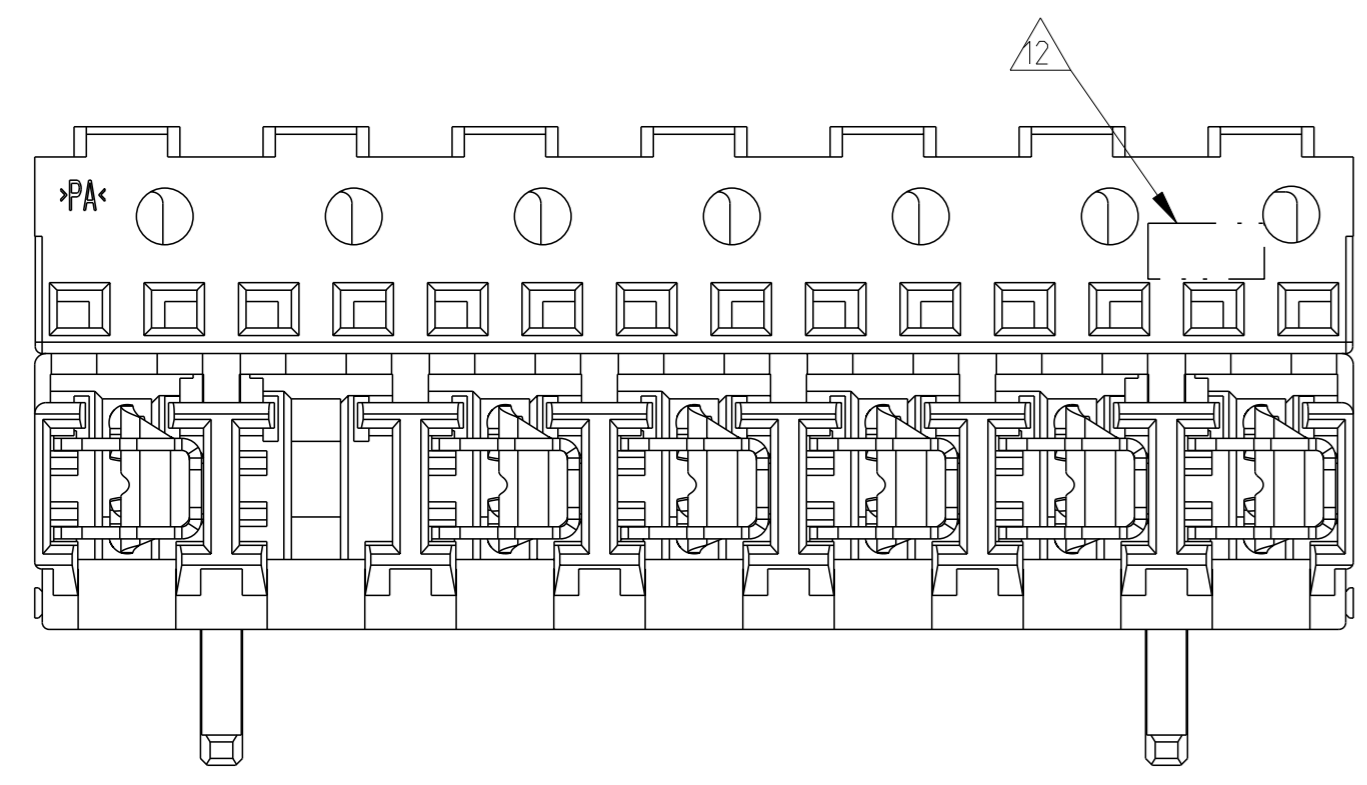
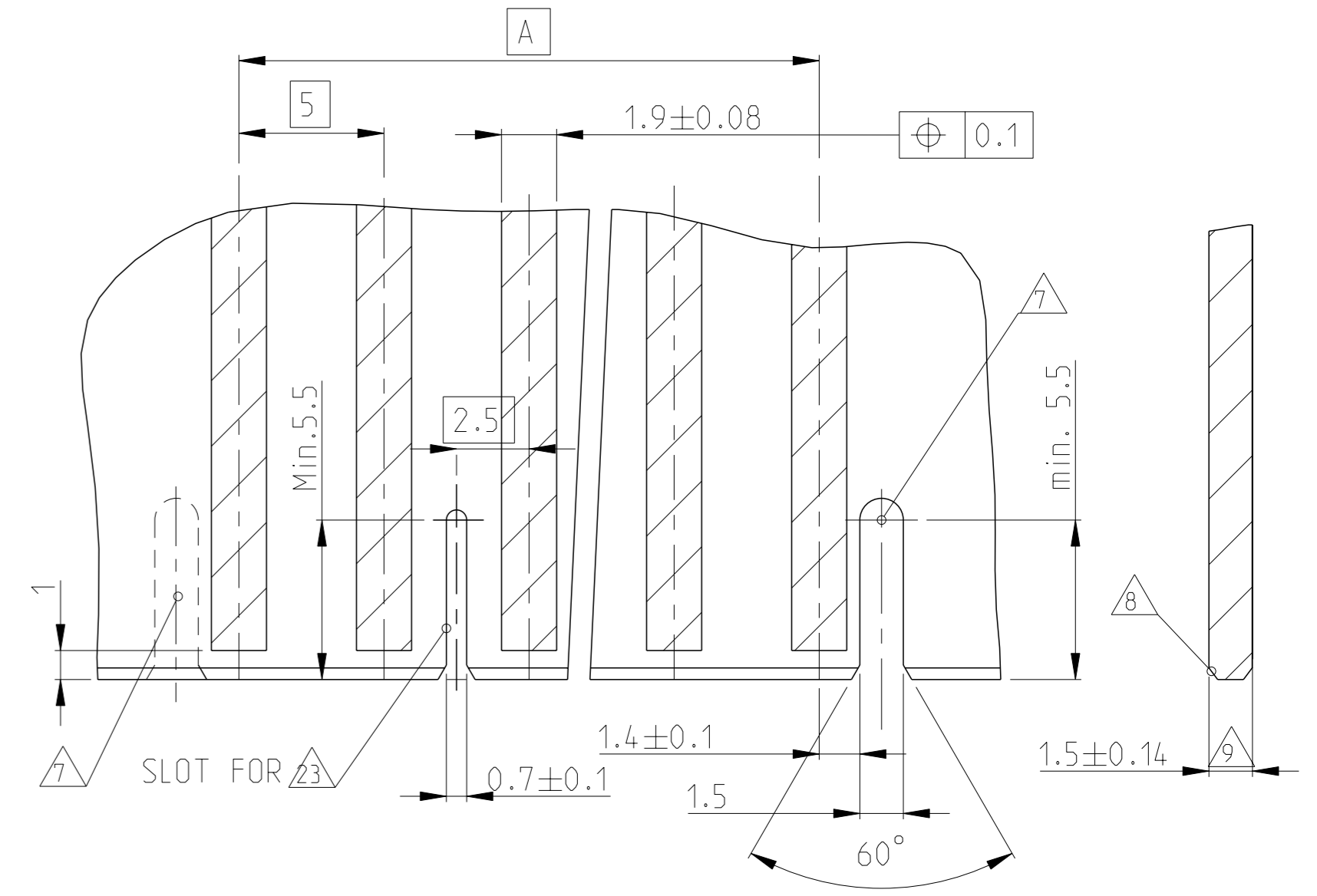
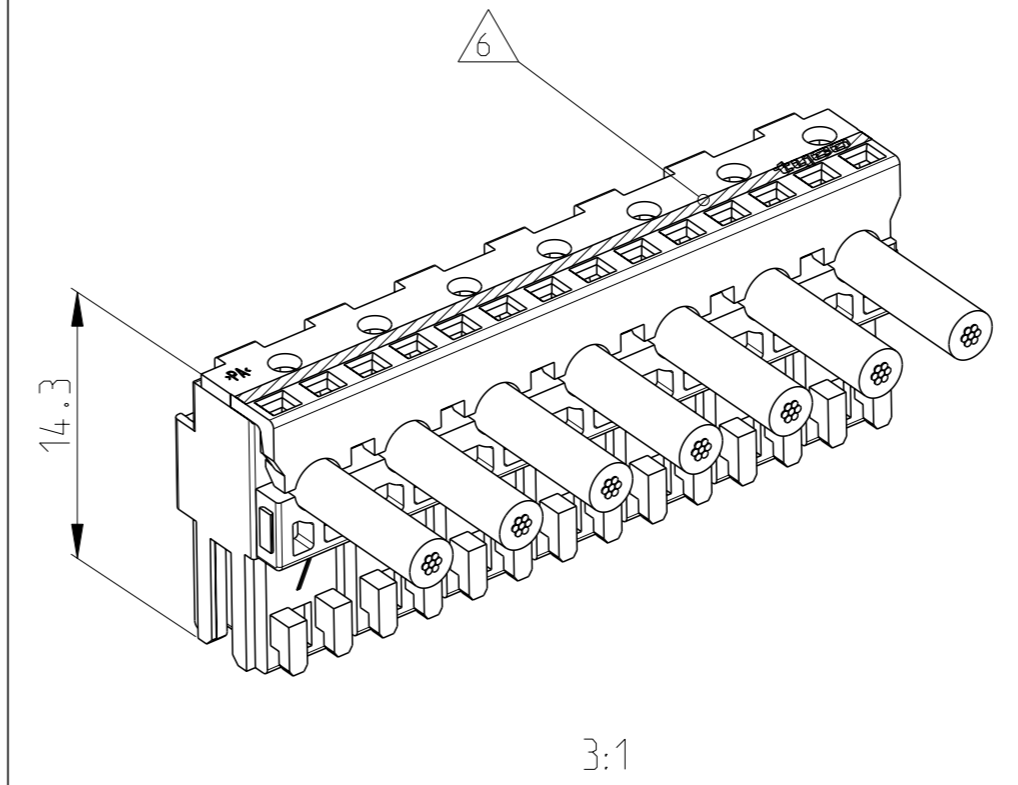
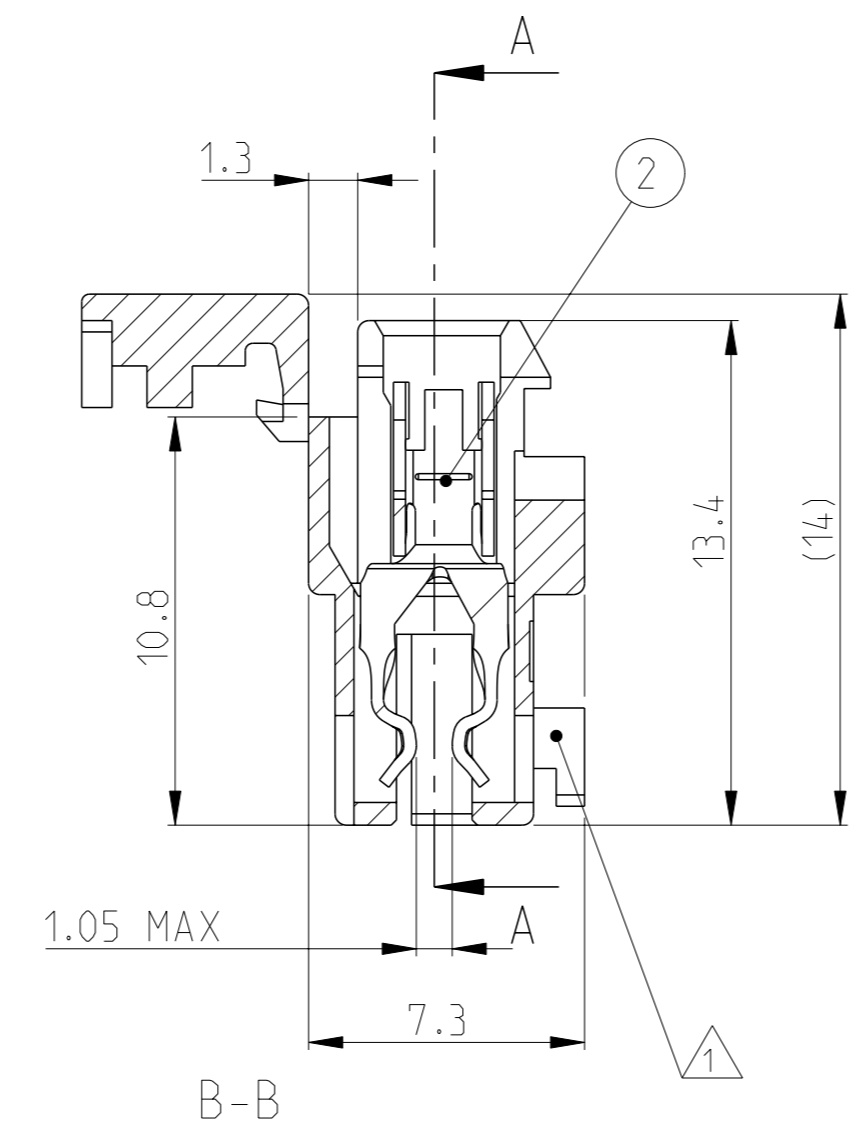
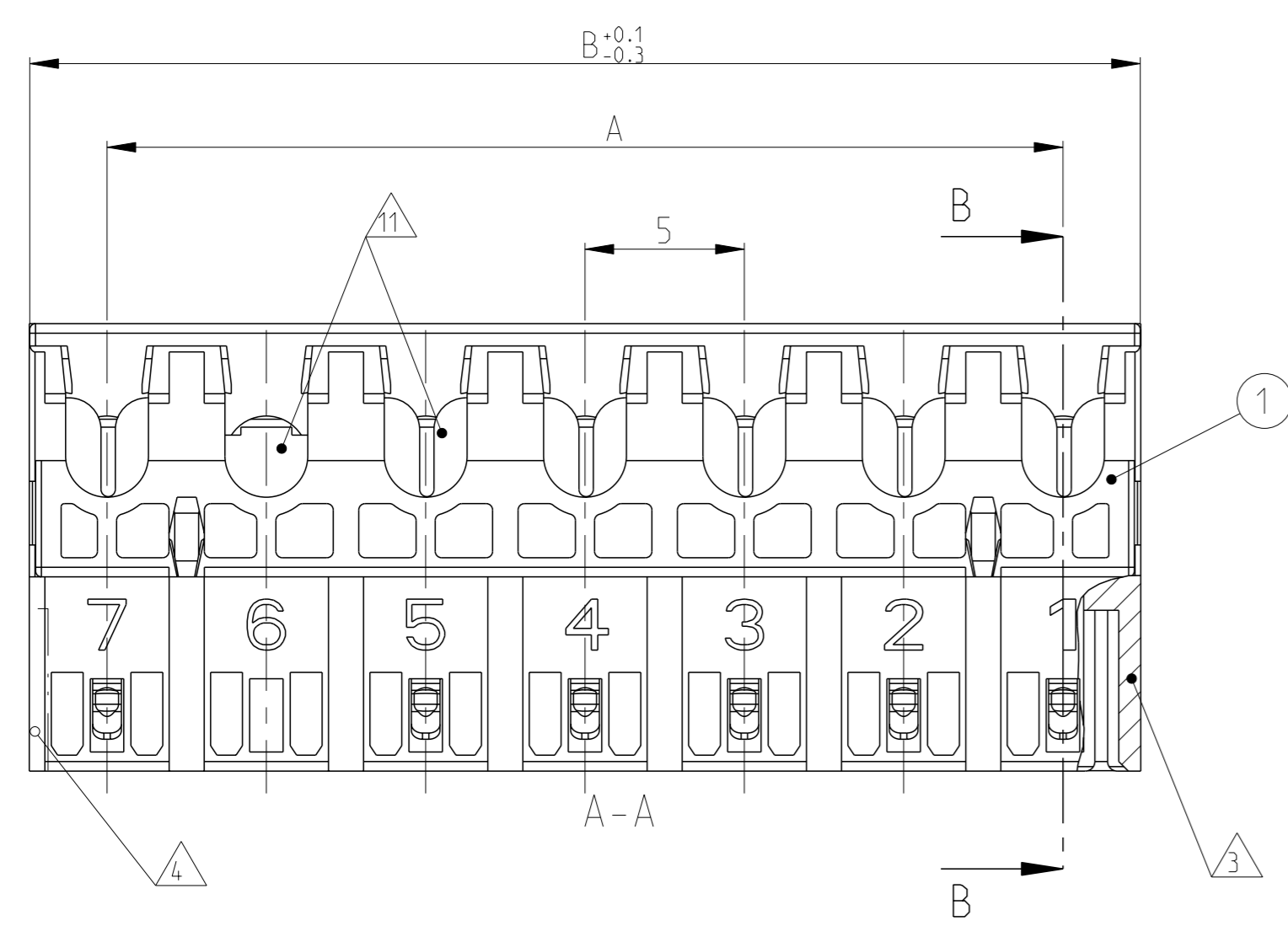
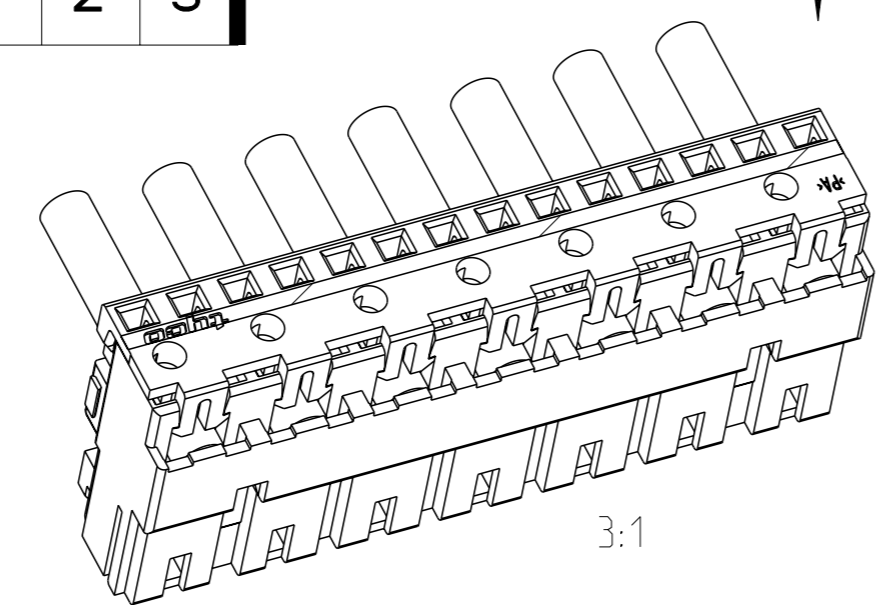
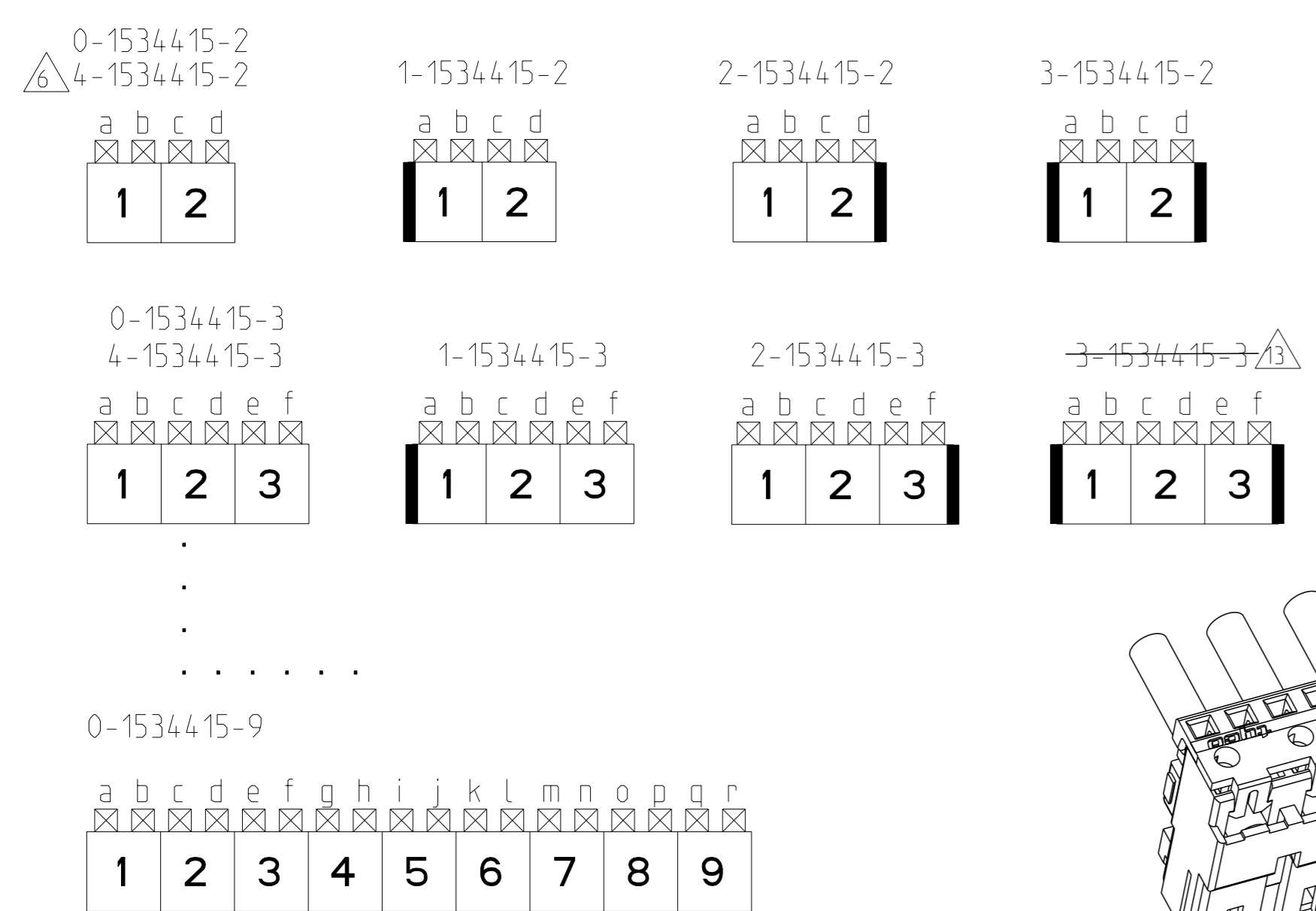


LOC	DIST	REV	DATE	OWN	APVD
A1	-	D21	05NOV2020	W W	FL

PCB LAYOUT KEYED / CONNECTED ONLY WITH ADDITIONAL FRAME
 Leiterplattenanschluss kodiert / nur in Verbindung mit zusätzlichem Rahmen



KEYING PLAN (VIEW Z)
Kodierschema (Ansicht Z)



- △16 KEYING BETWEEN POSITIONS
- △15 UL94 V0 AND GLOW WIRE TEST 750 °C WITHOUT FLAME
- △14 PRELIMINARY PART NOT RELEASED FOR PRODUCTION
- △13 OBSOLETE
- △12 TE LOGO

- △11 X...CAVITY LOADED WITH CONTACT
 0...CAVITY WITHOUT CONTACT
 X...Kammer mit Kontakt
 0...Kammer ohne Kontakt
- △10 GLOW WIRE TEST 750 °C WITHOUT FLAME
 Gluehdrahtfest 750°C ohne Flamme
- △9 INCLUSIVE COPPER CLADDING:
 Inclusive Kupferkaschierung:
- △8 PCB PREFERABLY CHAMFERED.
 Leiterplatte vorzugsweise angefast.
- △7 SLOT FOR SIDE KEYING. △△
 Schlitz fuer Seitenkodierung. △△.
- △6 COLOUR MARKING ON TOP OF HOUSING OPTIONAL ON TERMINATION MACHINE
 Farbmarkierung auf Gehäuseoberseite optional an Verarbeitungsmaschine
- MATING PART: PCB (WITH FRAMES ACC. RAST 2.5 E.G. PN 964 575/576)
 TABHEADER PN 1 534 787/788
- 5 Passender Gegenstecker: Leiterplatten (mit Rahmen nach RAST 2.5 z.B. 964 575/576)
 Tabwannen Nr. 1 534 787/788
- △4 SIDE KEYING, ON LAST CAVITY
 Seitenkodierung, an letzter Kammer
- △3 SIDE KEYING, ON CAVITY 1
 Seitenkodierung, an Kammer 1
- 2 WIRE RANGE: 0.35-0.75 mm²
 Drahtgrößenbereich: 0.35-0.75 mm²
- △ KEYING RIBS; CUTTING WITH TERMINATION MACHINE POSSIBLE
 Kodierrippe; Schneiden auf der Verarbeitungsmaschine möglich

2	SEE TABLE	KONTAKT	CuNiSi	TINNED
1	siehe Tabelle	Federleistengehäuse	PA 6 △6	NATUR/Natur
POS.	PN Bestell-Nr.	DESCRIPTION Beschreibung	MATERIAL	COLOUR/FINISH Farbe/Oberflaeche

THIS DRAWING IS A CONTROLLED DOCUMENT.		OWN H. Karabiyik 13OCT2016	TE Connectivity NAME AMP DUOPLUG POWER FEMALE CONNECTOR (Standard Version)
DIMENSIONS: mm		CHK B. Schnaubelt 24JAN2002	
TOLERANCES UNLESS OTHERWISE SPECIFIED:		APVD T. Klenner 24JAN2002	SIZE CAGE CODE DRAWING NO. RESTRICTED TO
0 PLC ±0.2	1 PLC ±0.2	PRODUCT SPEC 108-18780	A1 00779 ©=1534415
2 PLC ±0.2	3 PLC ±0.2	APPLICATION SPEC 114-18458	SCALE 5:1 SHEET 1 OF 2 REV D21
4 PLC ±0.2	ANGLES ±°	WEIGHT -	CUSTOMER DRAWING

LOC	DIST	REVISIONS			
		REV	DATE	BY	APPV
		-	SEE SHEET 1	-	-

△ PART NUMBERS WITH VO + GWT VERSION

X	X	X	X	X	X	X	X	X	X	NATURE	9	40	44.9	-	-	-	-	-
										NATURE	7	30	34.9	-	-	-	-	1-2328644-7
										NATURE	7	30	34.9	-	-	-	-	2328644-7
										NATURE	5	20	24.9	-	-	-	-	-
										NATURE	3	10	14.9	-	-	-	X	2328644-3
										NATURE	2	5	9.9	-	-	-	-	-
9	8	7	6	5	4	3	2	1										
CAVITY LOADED △11										COLOR △6	POS.	DIM A	DIM B	KEYING △16	KEYING △4	KEYING △3	TE P/N △14	
2	1	SEE TABLE siehe Tabelle		CONTACT		CuNiSi		TINNED										
POS.	TE P/N	DESCRIPTION		MATERIAL		COLOUR/FINISH												

X	X	X	X	X	X	X	X	X	X	NATURE	10	45	49.9	3/4	-	-	2-1534415-0
X	X	X	X	X	X	X	X	X	X	NATURE	10	45	49.9		-	-	1-1534415-0
	X	X	X	X	X	X	X	X	X	NATURE	9	40	44.9		-	-	0-1534415-9
		X	X	X	X	X	X	X	X	NATURE	8	35	39.9		-	-	0-1534415-8
			X	X	X	X	X	X	X	NATURE	7	30	34.9		-	-	0-1534415-7
				X	X	X	X	X	X	NATURE	6	25	29.9		-	-	0-1534415-6
					X	X	X	X	X	NATURE	5	20	24.9		-	-	0-1534415-5
						X	X	X	X	NATURE	4	15	19.9		-	X	3-1534415-4
							X	X	X	NATURE	4	15	19.9	3/4	X	X	2-1534415-4
								X	X	NATURE	4	15	19.9	2/3	X	X	1-1534415-4
									X	NATURE	4	15	19.9		-	-	0-1534415-4
									X	RED	3	10	14.9		X		8-1534415-3
									X	GREEN	3	10	14.9			X	7-1534415-3
									X	NATURE	3	10	14.9	1/2		X	6-1534415-3
									X	NATURE	3	10	14.9		X	-	5-1534415-3 △15
									X	NATURE	3	10	14.9		-	-	4-1534415-3
									X	NATURE	3	10	14.9		X	X	3-1534415-3 △13
									X	NATURE	3	10	14.9		X	-	2-1534415-3
									X	NATURE	3	10	14.9		-	X	1-1534415-3
									X	NATURE	3	10	14.9		-	-	0-1534415-3
									X	BROWN	2	5	9.9		-	-	4-1534415-2 △6
									X	NATURE	2	5	9.9		X	X	3-1534415-2
									X	NATURE	2	5	9.9		X	-	2-1534415-2
									X	NATURE	2	5	9.9		-	X	1-1534415-2
									X	NATURE	2	5	9.9		-	-	0-1534415-2
10	9	8	7	6	5	4	3	2	1	△6	POS. Polzahl	DIM A	DIM B	△16	△4	△3	PN Bestell-Nr.
CAVITY LOADED △11										COLOR △6							

THIS DRAWING IS A CONTROLLED DOCUMENT. DWG: H. Karabiyik 13 OCT 2016
 CHK: B. Schnaubelt 24 JAN 2002
 APPV: T. Klenner 24 JAN 2002

TE TE Connectivity

NAME: AMP DUOPLUG POWER FEMALE CONNECTOR (Standard Version)
 PRODUCT SPEC: 108-18780
 APPLICATION SPEC: 116-18458

SIZE: A1 CAGE CODE: 00779 DRAWING NO: 1534415 RESTRICTED TO: -
 WEIGHT: -
 MATERIAL: -
 FINISH: -
 CUSTOMER DRAWING

SCALE: 5:1 SHEET: 2 OF 2 REV: 021

X-ON Electronics

Largest Supplier of Electrical and Electronic Components

Click to view similar products for [Headers & Wire Housings](#) category:

Click to view products by [TE Connectivity](#) manufacturer:

Other Similar products are found below :

[892-18-020-10-001101](#) [58102-G61-06LF](#) [582553-1](#) [0009485154](#) [009176003701906](#) [0050291907](#) [LY20-4P-DT1-P1E-BR](#) [02.125.8002.8](#)
[609-3404](#) [61062-3](#) [61082-181009](#) [622-3653LF](#) [63453-116](#) [636-1030](#) [636-1427](#) [636-3427](#) [636-4007](#) [641938-9](#) [641991-4](#) [644827-2](#) [65817-](#)
[010LF](#) [65817-015LF](#) [65863-015LF](#) [66207-023LF](#) [67095-007LF](#) [67601157](#) [68645-018](#) [68648-049](#) [70.362.1628.0](#) [70-4210](#) [70-4226B](#) [70-](#)
[4853B](#) [707-5020](#) [707-5028](#) [71.350.2428.0](#) [71918-208LF](#) [71961-016LF](#) [733-134](#) [733-162](#) [754199-000](#) [760-3052](#) [79531-3000](#) [FCN-](#)
[360C032-B](#) [FCN-367T-T012/H](#) [FCN-723D010/2](#) [80.063.4001.1](#) [800-90-010-10-002000](#) [801-43-002-10-013000](#) [801-43-006-10-002000](#)
[801-93-011-10-001000](#)