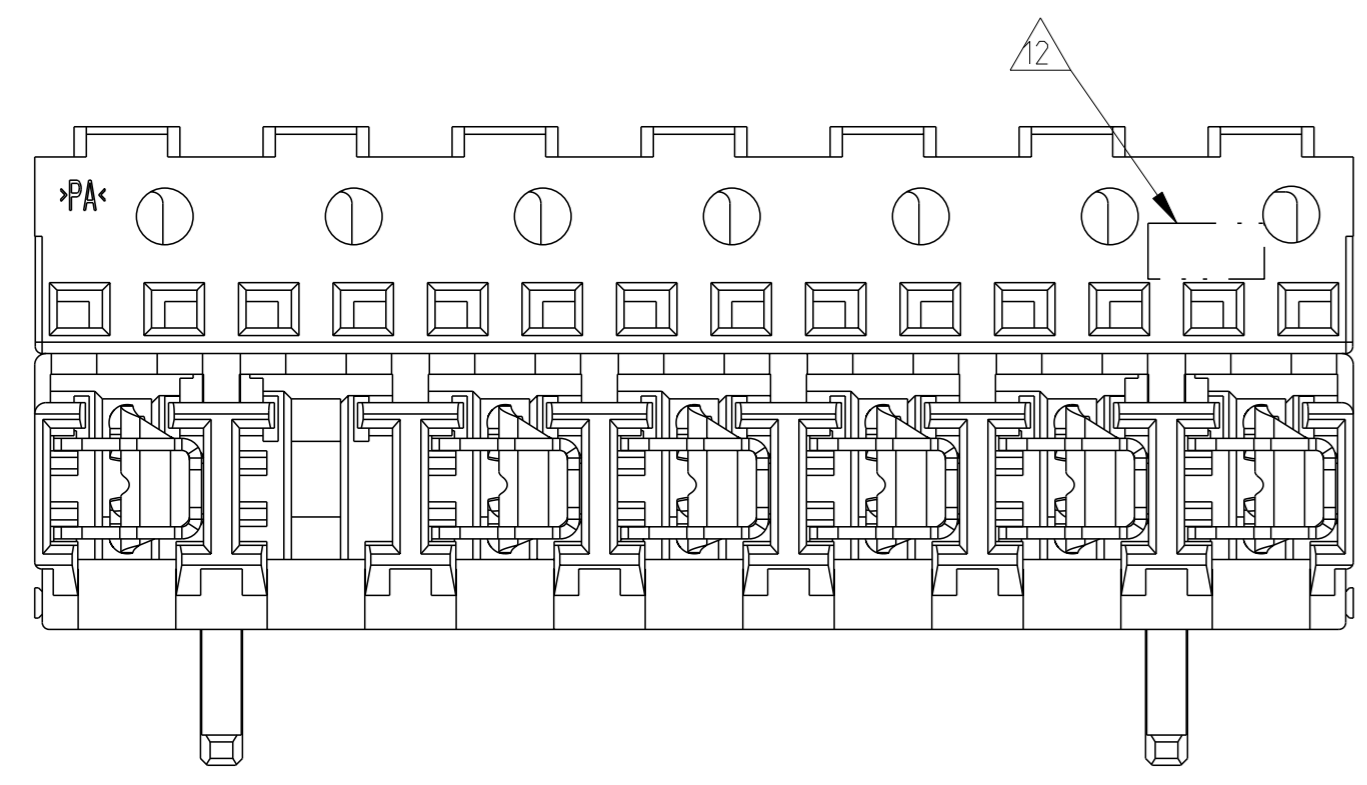
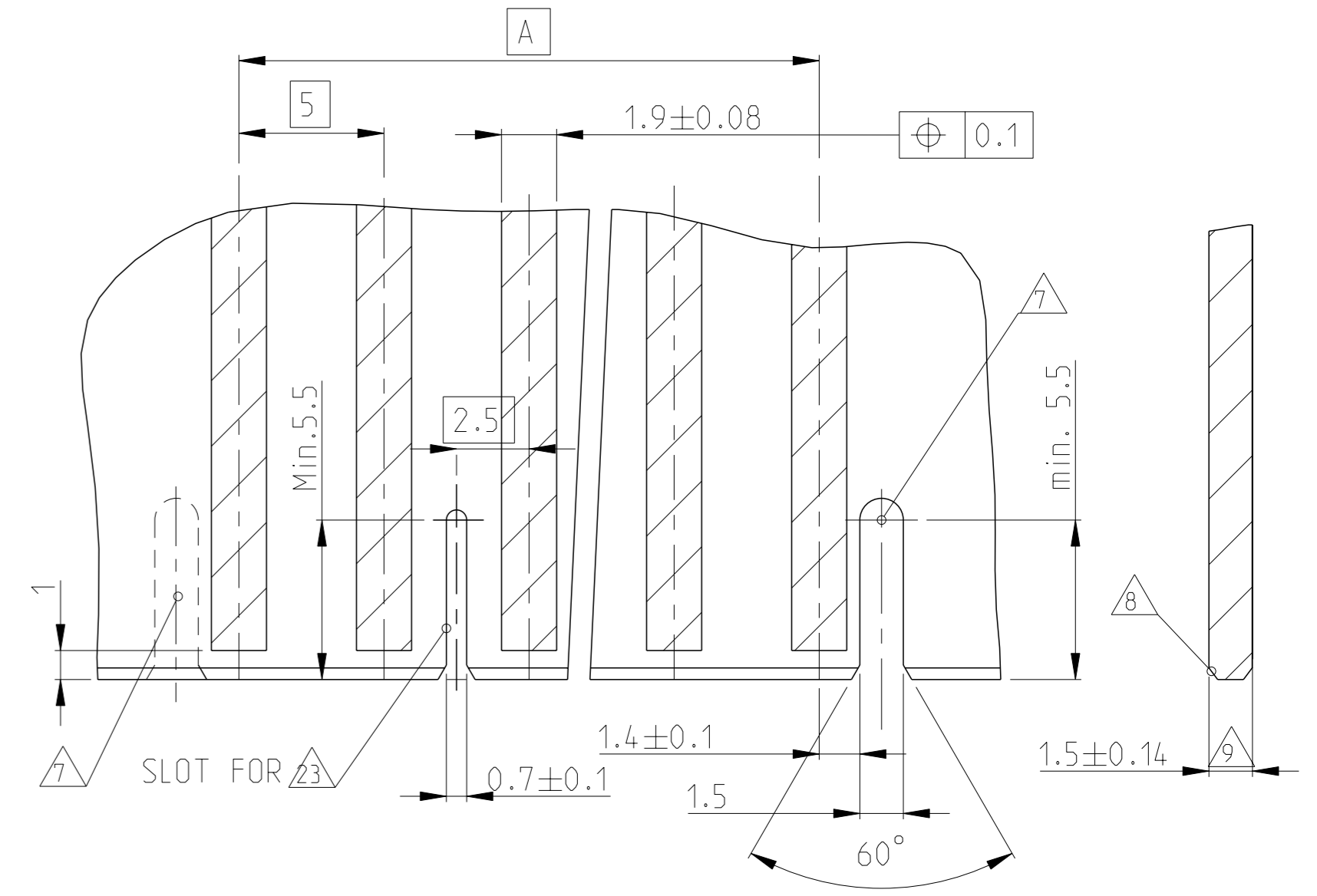
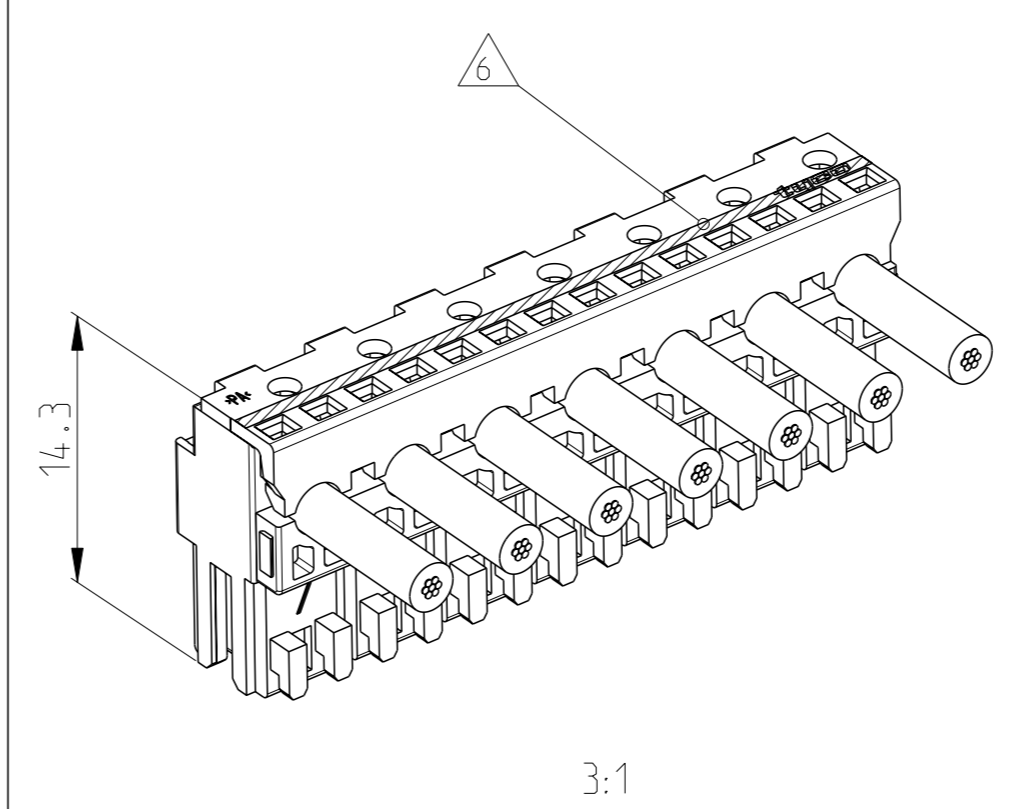
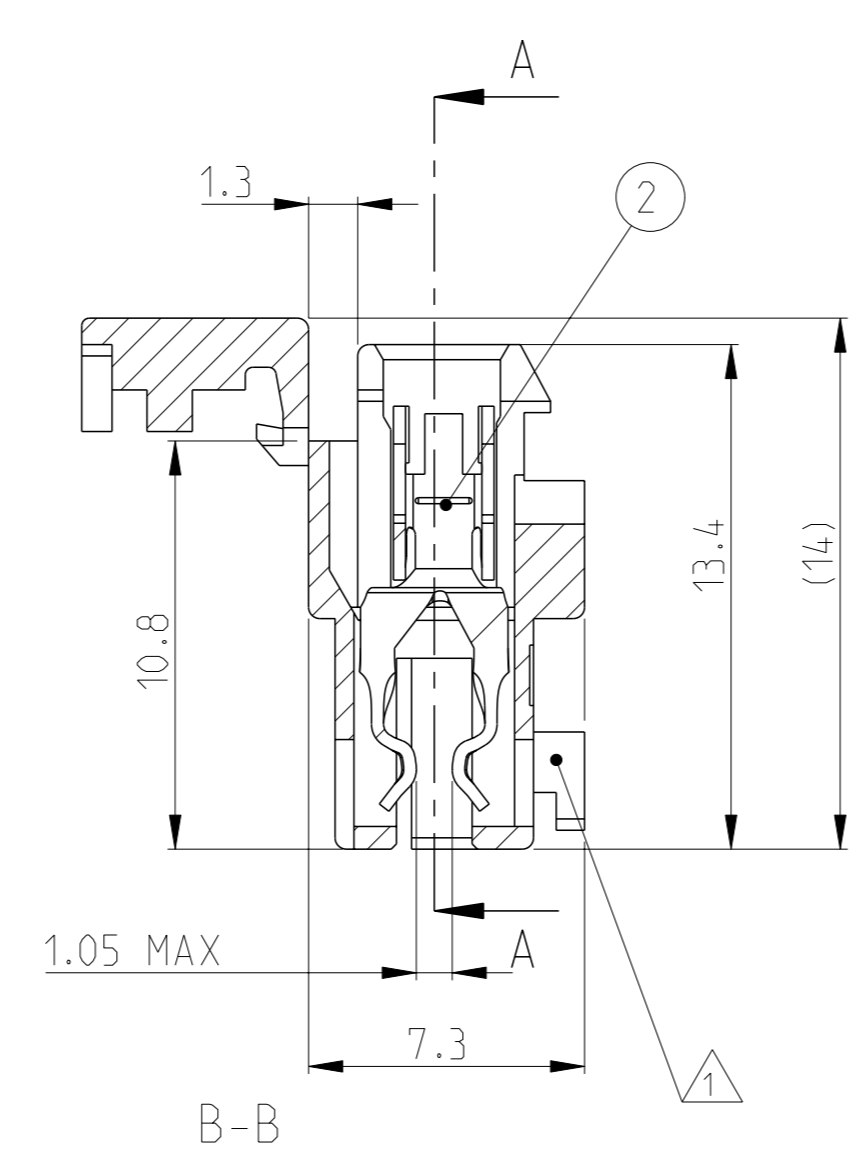
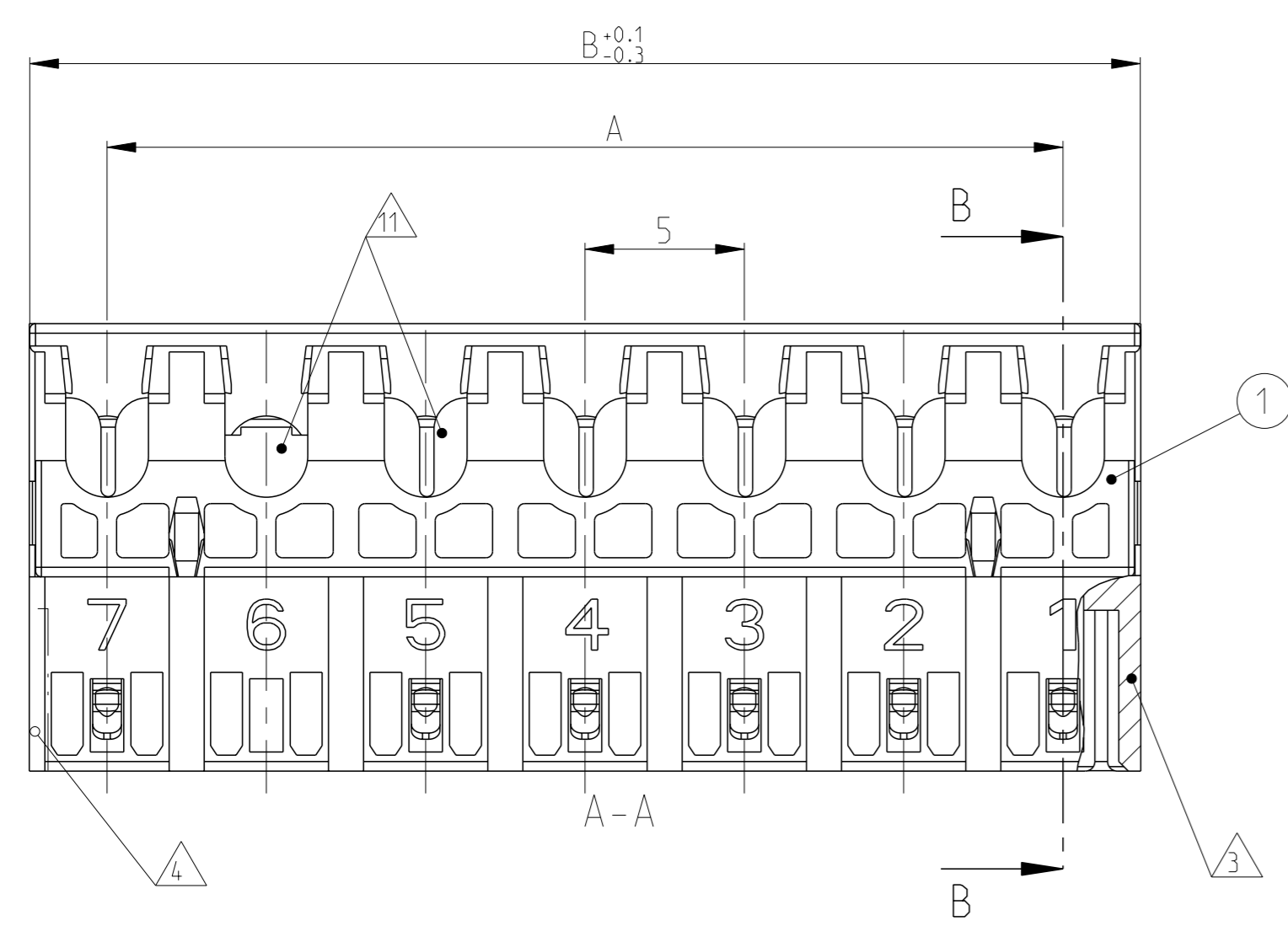
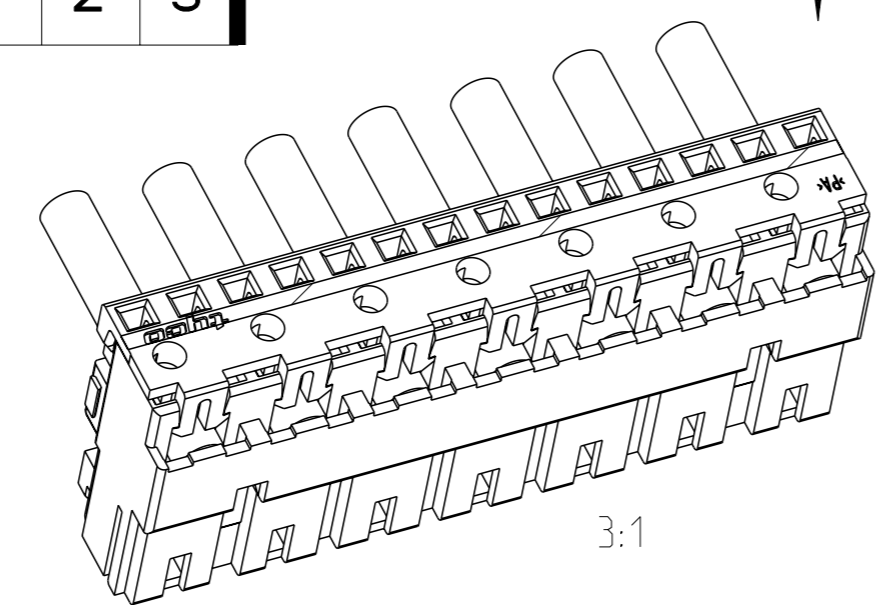
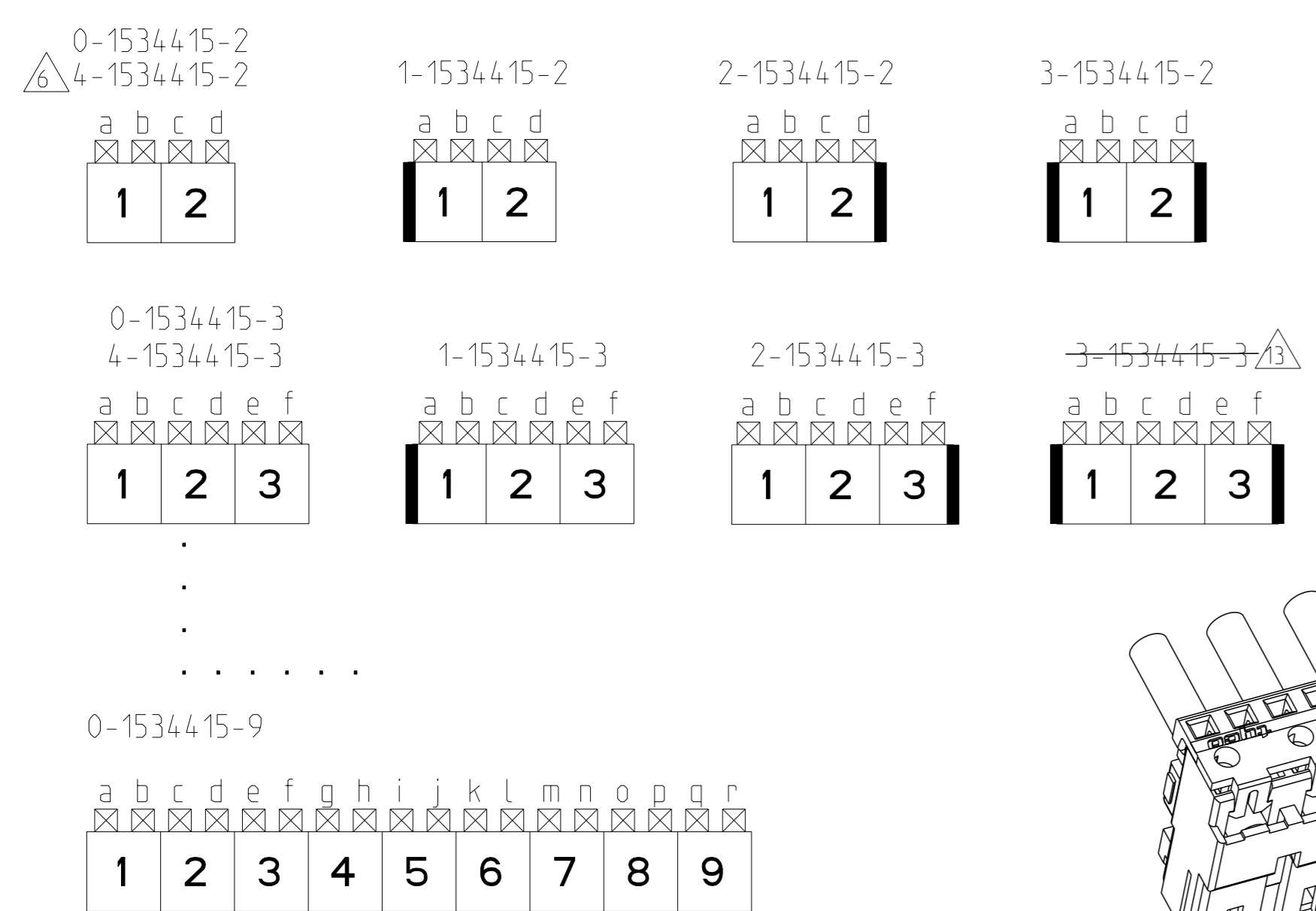


LOC	DIST	REV	DATE	OWN	APVD
A1	-	D21	05NOV2020	W W	FL

PCB LAYOUT KEYED / CONNECTED ONLY WITH ADDITIONAL FRAME  
 Leiterplattenanschluss kodiert / nur in Verbindung mit zusätzlichem Rahmen



**KEYING PLAN (VIEW Z)**  
**Kodierschema (Ansicht Z)**



- 16 KEYING BETWEEN POSITIONS
- 15 UL94 V0 AND GLOW WIRE TEST 750 °C WITHOUT FLAME
- 14 PRELIMINARY PART NOT RELEASED FOR PRODUCTION
- 13 OBSOLETE
- 12 TE LOGO

- 11 X...CAVITY LOADED WITH CONTACT  
 0...CAVITY WITHOUT CONTACT  
 X...Kammer mit Kontakt  
 0...Kammer ohne Kontakt
- 10 GLOW WIRE TEST 750 °C WITHOUT FLAME  
 Gluehdrahtfest 750°C ohne Flamme
- 9 INCLUSIVE COPPER CLADDING:  
 Inclusive Kupferkaschierung:
- 8 PCB PREFERABLY CHAMFERED.  
 Leiterplatte vorzugsweise angefast.
- 7 SLOT FOR SIDE KEYING. 4 4  
 Schlitz fuer Seitenkodierung. 4 4 .
- 6 COLOUR MARKING ON TOP OF HOUSING OPTIONAL ON TERMINATION MACHINE  
 Farbmarkierung auf Gehäuseoberseite optional an Verarbeitungsmaschine
- MATING PART: PCB (WITH FRAMES ACC. RAST 2.5 E.G. PN 964 575/576)  
 TABHEADER PN 1 534 787/788  
 5 Passender Gegenstecker:Leiterplatten (mit Rahmen nach RAST 2.5 z.B. 964 575/576)  
 Tabwannen Nr. 1 534 787/788
- 4 SIDE KEYING, ON LAST CAVITY  
 Seitenkodierung, an letzter Kammer
- 3 SIDE KEYING, ON CAVITY 1  
 Seitenkodierung, an Kammer 1
- 2 WIRE RANGE: 0.35-0.75 mm<sup>2</sup>  
 Drahtgrößenbereich: 0.35-0.75 mm<sup>2</sup>
- KEYING RIBS; CUTTING WITH TERMINATION MACHINE POSSIBLE  
 Kodierrippe; Schneiden auf der Verarbeitungsmaschine möglich

2	SEE TABLE siehe Tabelle	KONTAKT	CuNiSi	TINNED
1		Federleistengehäuse	PA 6 6	NATUR/Natur
POS.	PN Bestell-Nr.	DESCRIPTION Beschreibung	MATERIAL	COLOUR/FINISH Farbe/Oberflaeche

THIS DRAWING IS A CONTROLLED DOCUMENT.		OWN H. Karabiyik	13OCT2016	<b>TE</b> TE Connectivity
DIMENSIONS: mm		CHK B. Schnaubelt	24JAN2002	
TOLERANCES UNLESS OTHERWISE SPECIFIED:		APVD T. Klenner	24JAN2002	NAME AMP DUOPLUG POWER FEMALE CONNECTOR (Standard Version)
0 PLC ±0.2 1 PLC ±0.2 2 PLC ±0.2 3 PLC ±0.2 4 PLC ±0.2 ANGLES ±°		PRODUCT SPEC 108-18780	APPLICATION SPEC 114-18458	
MATERIAL -		FINISH -	WEIGHT -	SIZE A1
CUSTOMER DRAWING		SCALE 5:1		SHEET 1 OF 2

LOC	DIST	REVISIONS					
		P	LYR	DESCRIPTION	DATE	OWN	APVD
		-		SEE SHEET 1	-	-	-

△ PART NUMBERS WITH VO + GWT VERSION

X	X	X	X	X	X	X	X	X	X	NATURE	9	40	44.9	-	-	-	-
										NATURE	7	30	34.9	-	-	-	1-2328644-7
										NATURE	7	30	34.9	-	-	-	2328644-7
										NATURE	5	20	24.9	-	-	-	-
										NATURE	3	10	14.9	-	-	X	2328644-3
										NATURE	2	5	9.9	-	-	-	-
9	8	7	6	5	4	3	2	1									
CAVITY LOADED △11										COLOR △6	POS.	DIM A	DIM B	KEYING △16	KEYING △4	KEYING △3	TE P/N △14
2	1	SEE TABLE siehe Tabelle		CONTACT		CuNiSi		TINNED									
POS.	TE P/N	DESCRIPTION		MATERIAL		COLOUR/FINISH											

X	X	X	X	X	X	X	X	X	X	NATURE	10	45	49.9	3/4	-	-	2-1534415-0
X	X	X	X	X	X	X	X	X	X	NATURE	10	45	49.9		-	-	1-1534415-0
	X	X	X	X	X	X	X	X	X	NATURE	9	40	44.9		-	-	0-1534415-9
		X	X	X	X	X	X	X	X	NATURE	8	35	39.9		-	-	0-1534415-8
			X	X	X	X	X	X	X	NATURE	7	30	34.9		-	-	0-1534415-7
				X	X	X	X	X	X	NATURE	6	25	29.9		-	-	0-1534415-6
					X	X	X	X	X	NATURE	5	20	24.9		-	-	0-1534415-5
						X	X	X	X	NATURE	4	15	19.9		-	X	3-1534415-4
							X	X	X	NATURE	4	15	19.9	3/4	X	X	2-1534415-4
								X	X	NATURE	4	15	19.9	2/3	X	X	1-1534415-4
									X	NATURE	4	15	19.9		-	-	0-1534415-4
									X	RED	3	10	14.9		X		8-1534415-3
									X	GREEN	3	10	14.9			X	7-1534415-3
									X	NATURE	3	10	14.9	1/2		X	6-1534415-3
									X	NATURE	3	10	14.9		X	-	5-1534415-3 △15
									X	NATURE	3	10	14.9		-	-	4-1534415-3
									X	NATURE	3	10	14.9		X	X	3-1534415-3 △13
									X	NATURE	3	10	14.9		X	-	2-1534415-3
									X	NATURE	3	10	14.9		-	X	1-1534415-3
									X	NATURE	3	10	14.9		-	-	0-1534415-3
									X	BROWN	2	5	9.9		-	-	4-1534415-2 △6
									X	NATURE	2	5	9.9		X	X	3-1534415-2
									X	NATURE	2	5	9.9		X	-	2-1534415-2
									X	NATURE	2	5	9.9		-	X	1-1534415-2
									X	NATURE	2	5	9.9		-	-	0-1534415-2
10	9	8	7	6	5	4	3	2	1	△6	POS. Polzahl	DIM A	DIM B	△16	△4	△3	PN Bestell-Nr.
CAVITY LOADED △11										COLOR △6							

THIS DRAWING IS A CONTROLLED DOCUMENT. DWG: H. Karabiyik 13 OCT 2016  
 CHK: B. Schnaubelt 24 JAN 2002  
 APVD: T. Klenner 24 JAN 2002

**TE** TE Connectivity

NAME: AMP DUOPLUG POWER FEMALE CONNECTOR (Standard Version)  
 PRODUCT SPEC: 108-18780  
 APPLICATION SPEC: 116-18458

SIZE: A1 CAGE CODE: 00779 DRAWING NO: 1534415 RESTRICTED TO: -  
 WEIGHT: -  
 CUSTOMER DRAWING SCALE: 5:1 SHEET: 2 OF 2 REV: 021

4805 (3/11)

## X-ON Electronics

Largest Supplier of Electrical and Electronic Components

*Click to view similar products for [Headers & Wire Housings](#) category:*

*Click to view products by [TE Connectivity](#) manufacturer:*

Other Similar products are found below :

[892-18-020-10-001101](#) [58102-G61-06LF](#) [582553-1](#) [0009485154](#) [009176003701906](#) [0050291907](#) [LY20-4P-DT1-P1E-BR](#) [02.125.8002.8](#)  
[609-3404](#) [61062-3](#) [61082-181009](#) [622-3653LF](#) [63453-116](#) [636-1030](#) [636-1427](#) [636-3427](#) [636-4007](#) [641938-9](#) [641991-4](#) [644827-2](#) [65817-010LF](#) [65817-015LF](#) [65863-015LF](#) [66207-023LF](#) [67095-007LF](#) [67601157](#) [68645-018](#) [68648-049](#) [70.362.1628.0](#) [70-4210](#) [70-4226B](#) [70-4853B](#) [707-5020](#) [707-5028](#) [71.350.2428.0](#) [71918-208LF](#) [71961-016LF](#) [733-134](#) [733-162](#) [754199-000](#) [760-3052](#) [787-8014-00](#) [79531-3000](#)  
[FCN-360C032-B](#) [FCN-367T-T012/H](#) [FCN-723D010/2](#) [80.063.4001.1](#) [800-90-001-10-001000](#) [800-90-010-10-002000](#) [801-43-002-10-013000](#)