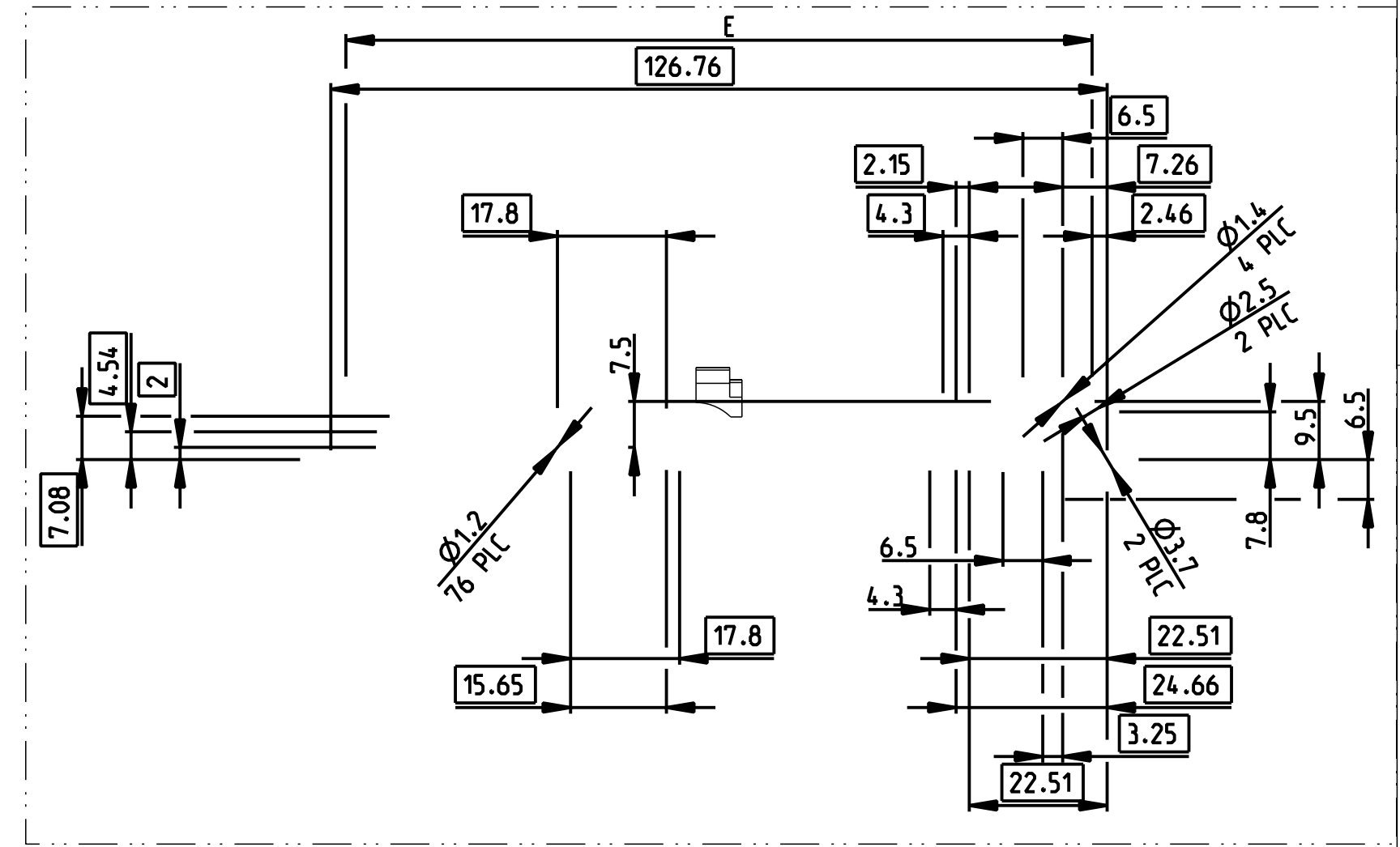
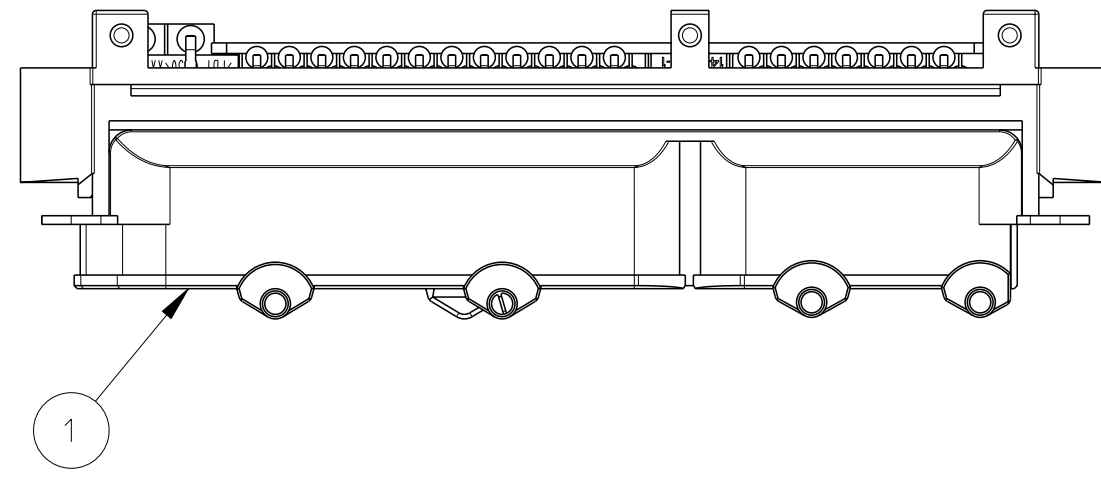
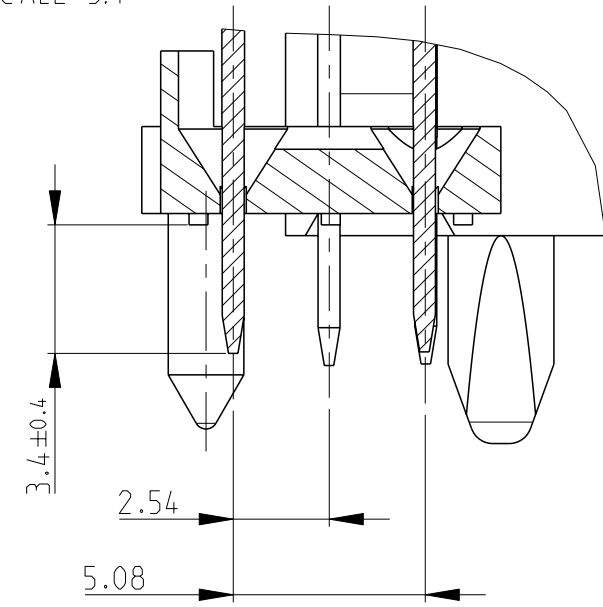
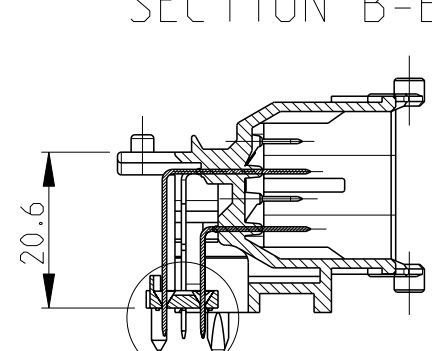


REVISIONS					
P	LTR	DESCRIPTION	DATE	DWN	APVD
E1		REDRAW BY ECO-08-022178	11SEP2008	NCL	WA0
E2		REVISED PER ECO-20-012441	12OCT2020	AP	DO

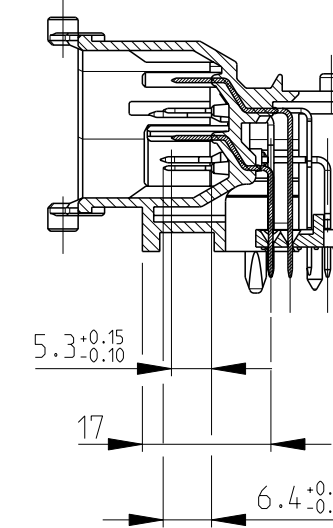
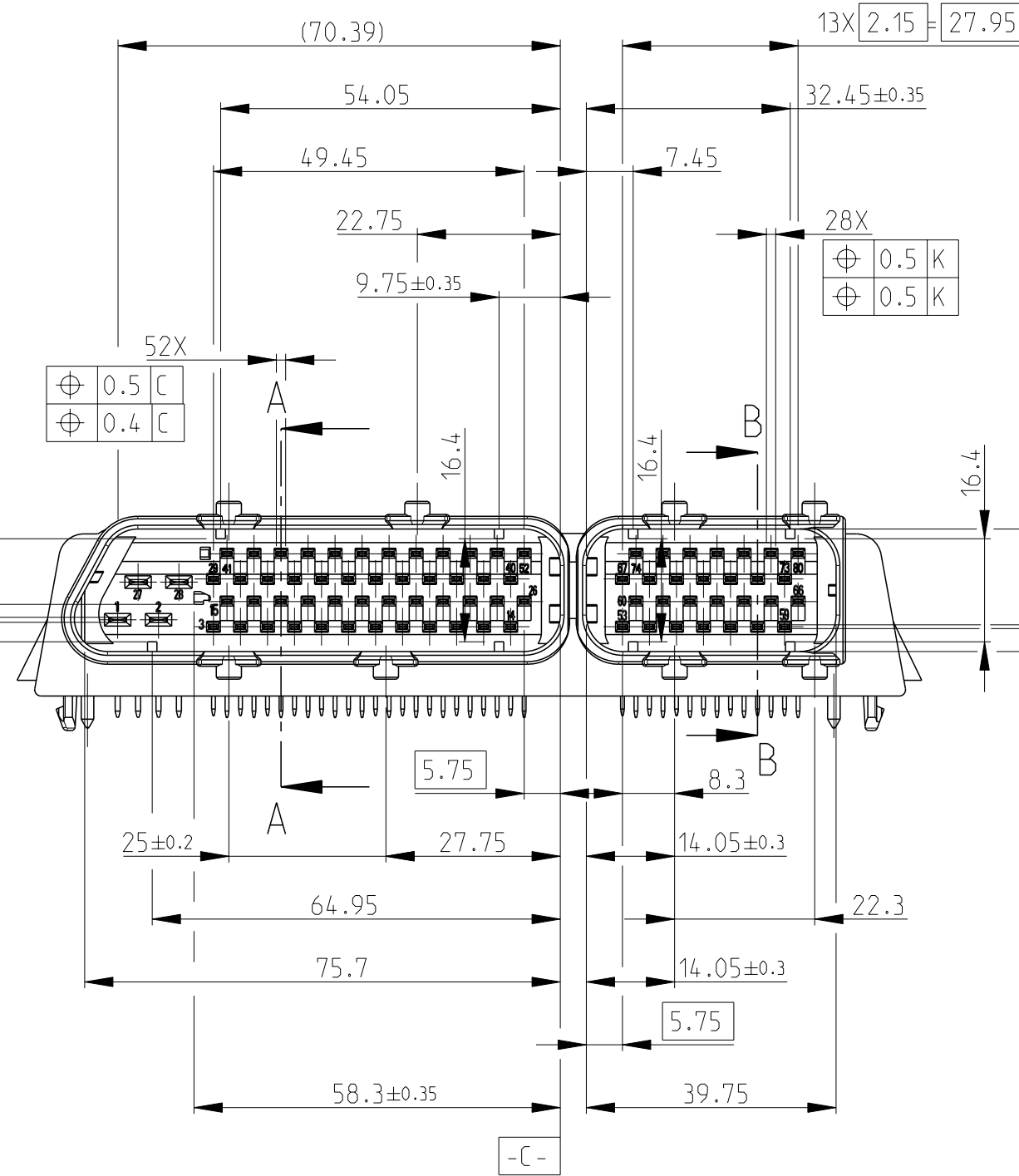
DETAIL Y
SCALE 5:1



SECTION B-B



⊕ 0.45	N	0
⊕ 0.35	N	0



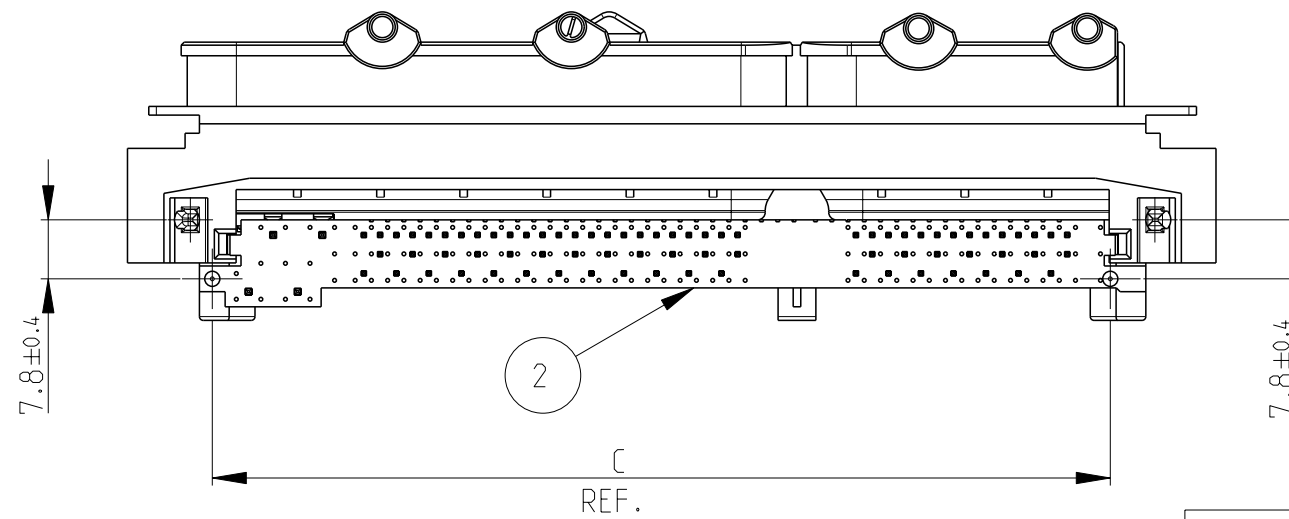
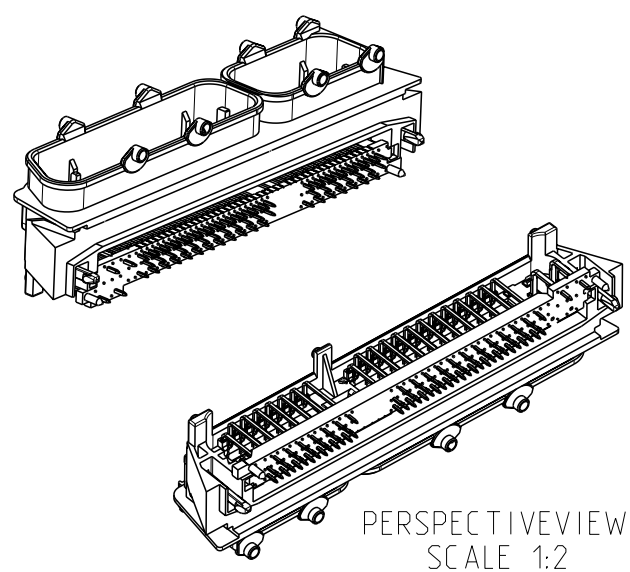
SECTION A-A

1 PACKAGING ACC. PACKAGING INSTRUCTION V1534512. REUSABLE IN TRAY PN. 741066 AND CUSTOMER OWN BOX PN. 9-740971-1 PARTS PER TRAY: 10PC / PART PER BOX: 40PC

1 EMBALAGEM DE ACORDO COM INSTRUÇÃO DE EMBALAGEM V1534512. REUTILIZÁVEL EM BANDEJA PN 741066 E EM CAIXA DO CLIENTE PN 9-740971-1 PECAS POR BANDEJA: 10PC / PECAS POR CAIXA: 40PC

GRAVAÇÕES MARKINGS
LOGOTIPO TYCO TYCO LOGO
CÓDIGO PAÍS PRODUTOR MANUFACTURER COUNTRY CODE
NOMENCLATURA MATERIAL MATERIAL NOMENCLATURE
NÚMERO COMPONENTE TYCO TYCO COMPONENT NUMBER
NÚMERO CAVIDADE CAVITY NUMBER
IDENTIFICAÇÃO CIRCUITO CIRCUIT IDENTIFICATION
NÚMERO PEÇA CLIENTE CUSTOMER PART NUMBER
PAÍS PRODUTOR MANUFACTURER COUNTRY
REV+ LETRA REV DA PEÇA REV +PART REV LETTER

1	-	-	-	2	PIN GUIDE 80 POSN.	PBT+GF30	NATURAL
-	-	1	-	2	PIN GUIDE 80 POSN.	PBT+GF30	PRETO/BLACK
-	1	-	1	2	PIN GUIDE 80 POSN.	PBT+GF30	AMARELO/YELLOW
1	1	1	1	1	HOUSING, OVERMOULDED	PA66+GF30	PRETO/BLACK
REQ. PER ASSY							
-4	-3	-2	-1	1	ITEM	DESCRIPTION	FINISH
1534512							



OBSOLETE	121,80	1534512-4
	118,80	1534512-3
	118,80	1534512-2
	118,80	1534512-1
DIM. "E"	PART NUMBER	

THIS DRAWING IS A CONTROLLED DOCUMENT.		DWN N LAPRESA 08NOV2004	TE Connectivity	
DIMENSIONS: mm		CHK P LPEARIA 08NOV2004		
TOLERANCES UNLESS OTHERWISE SPECIFIED:		APVD M RODRIGUES 08NOV2004	NAME 80 POSN., PIN HEADER WITH PIN GUIDE	
0 PLC ±		PRODUCT SPEC	SIZE CAGE CODE DRAWING NO RESTRICTED TO	
1 PLC ±0.3		APPLICATION SPEC	A2 00779 C=C-1534512	
2 PLC ±0.2		WEIGHT	SCALE 1:1 SHEET 1 OF 1 REV E2	
3 PLC ±		CUSTOMER DRAWING		
4 PLC ±				
ANGLES ±30°				
FINISH				
MATERIAL SEE TABLE material_2				
FINISH SEE TABLE finish_spec_2				

X-ON Electronics

Largest Supplier of Electrical and Electronic Components

Click to view similar products for [Automotive Connectors](#) category:

Click to view products by [TE Connectivity](#) manufacturer:

Other Similar products are found below :

[003-018-000](#) [60403001](#) [60993906-B](#) [M902-2131](#) [M902-2161](#) [M902-2344](#) [72.330.1035.1](#) [73.353.4028.0](#) [F119300-B](#) [F166900](#) [F258300-B](#)
[F358300-B](#) [F407400](#) [F444110](#) [F487000](#) [F509500B-B](#) [827153-1](#) [8N1515-32-24P](#) [9-1326729-8](#) [925474-1](#) [928905-1](#) [964562-4](#) [968782-1](#)
[GT17SA-8DS-HU](#) [98891-1012](#) [98947-1016](#) [12004147](#) [12004475-L](#) [12010290](#) [12010309-B](#) [12015454](#) [12020219-B](#) [12041318-B](#) [12052225-](#)
[L](#) [12052466](#) [12064869](#) [12004327-B](#) [12015308](#) [12015384](#) [12015909](#) [1-21030-1](#) [12041254](#) [12041318](#) [12047946-B](#) [12047957](#) [12047957-L](#)
[12059473](#) [12066261](#) [12110546](#) [12110546-B](#)