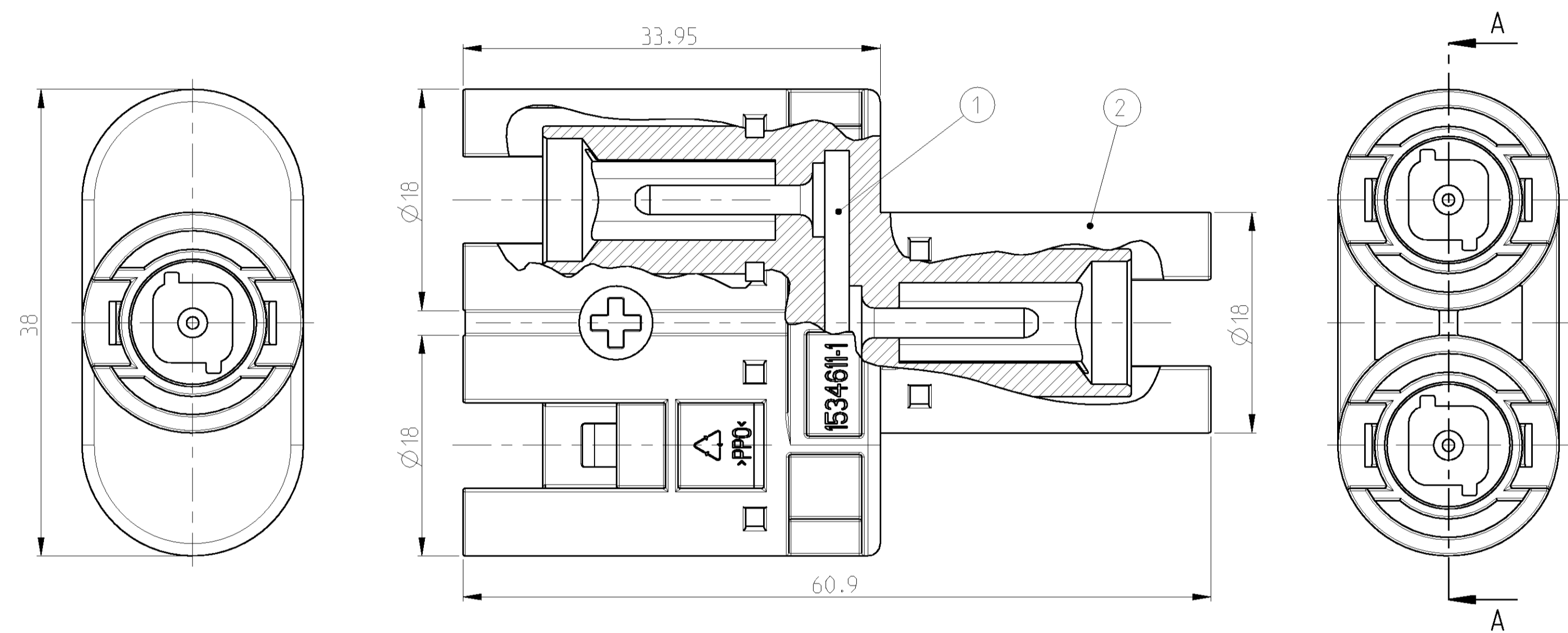
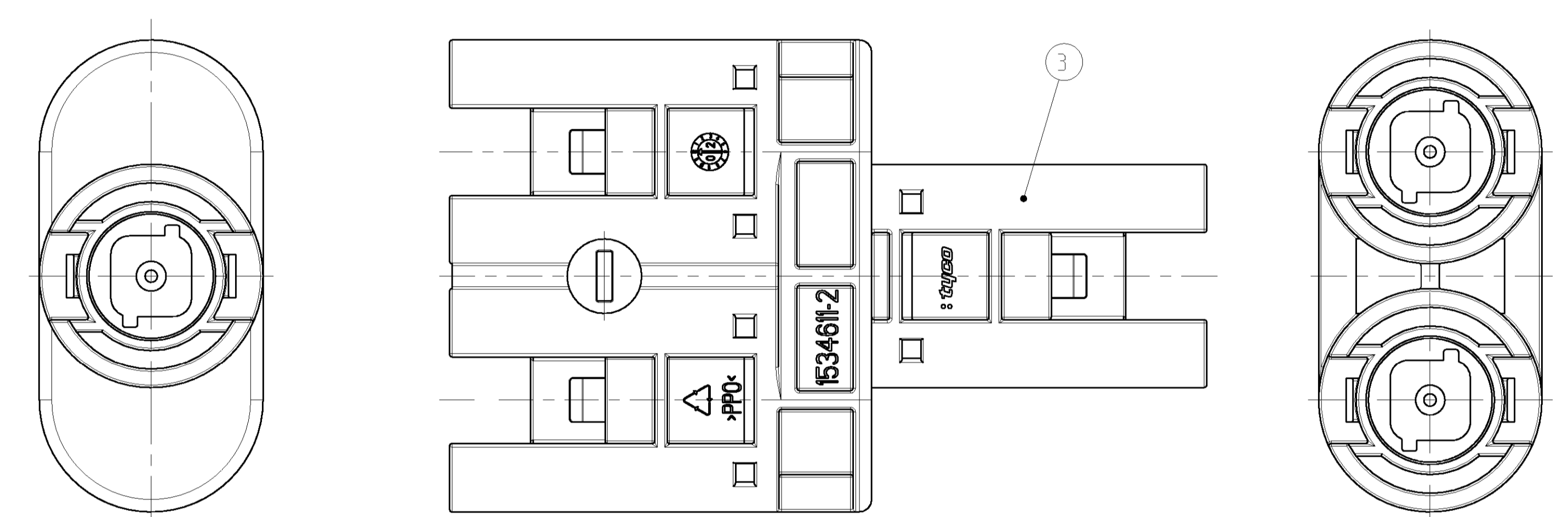


LOC	DIST	REV. NO.	REVISIONS	DATE	BY	APPD
A1	-	P. LTR	DESCRIPTION			
		A1	NEW DRAWING CREATED	21-MAY-02	EW	GF
		B1	CHAMFERS ADDED	14-JAN-03	EW	GF
		C1	NOTE 1 PACKAGING ADDED	05-FEB-03	EW	GF

SECTION A-A
 SCHNITT A-A



-1 AS SHOWN
 -1 WIE GEZEICHNET

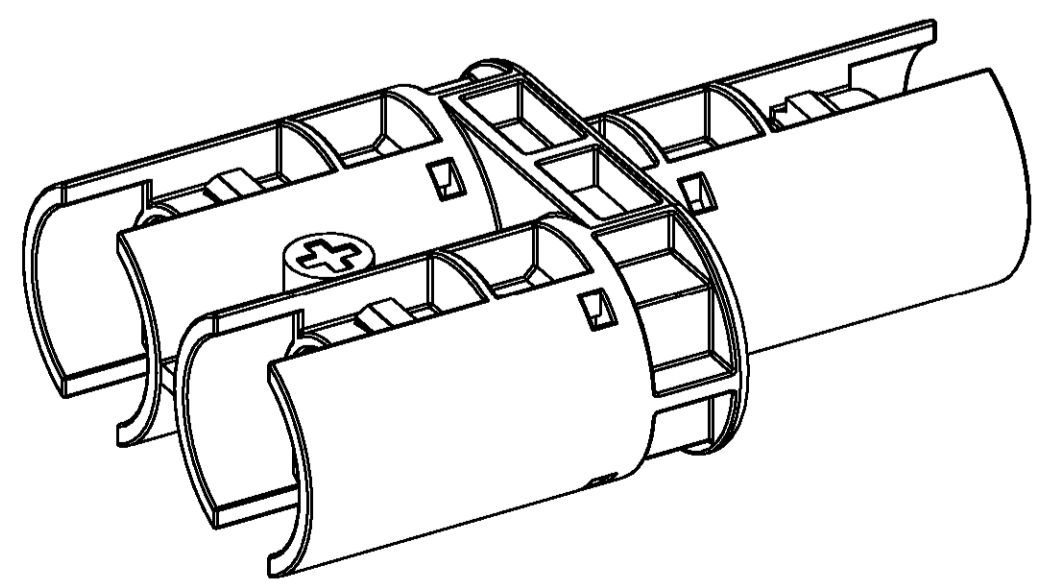


-2 AS SHOWN
 -2 WIE GEZEICHNET

- 1 **PACKAGING:** 20 PIECES T-DISTRIBUTORS PACKAGED IN LAYERS IN FOLDING CARTON.
 2 LAYERS WITH 10 PIECES T-DISTRIBUTORS EACH LAYER.
 1 PAPER CUSHION USED AS INTERLAYER.
 LAST LAYER COVERED WITH 1 PAPER CUSHION.
 FOLDING CARTON MARKED WITH LABEL.
 LABEL INSCRIBES WITH PN AND QUANTITY.
 PACKAGING UNIT: 20 PIECES

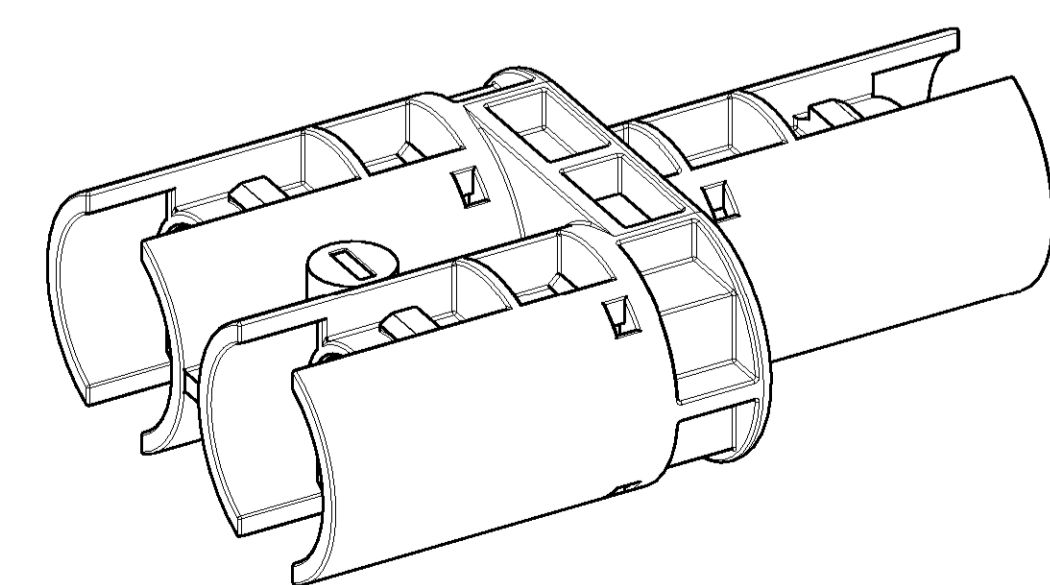
- 1 **VERPACKUNG:** 20 STÜCK T-VERTEILER IN FALTSCHACHTEL IN LAGEN VERPACKT.
 2 LAGEN MIT JE 10 STÜCK T-VERTEILER PRO LAGE.
 1 PAPIERPOLSTERKISSEN ALS ZWISCHENLAGE VERWENDET.
 LETZTE LAGE MIT 1 PAPIERPOLSTERKISSEN ABGEDECKT.
 FALTSCHACHTEL MIT LABEL GEKENNZEICHNET.
 LABEL BESCHRIFTET MIT PN UND MENGE.
 VERPACKUNGSEINHEIT: 20 STÜCK

13.6	14.5
VOLUMEN [cm ³]	GEWICHT [g]



SCALE 2:1 / M 2:1

13.6	14.5
VOLUMEN [cm ³]	GEWICHT [g]



SCALE 2:1 / M 2:1

1534611-2		1534611-1		TYCO ORDER-NO. BESTELL-NR.																																																							
1	-	3	INMOLDING MINUS UMSPRITZUNG MINUS	BLACK SCHWARZ	PPD																																																						
-	1	2	INMOLDING PLUS UMSPRITZUNG PLUS	BLACK SCHWARZ	PPD																																																						
1	1	1	T-DISTRIBUTOR T-VERTEILER	Ag Ag	Cu Zn																																																						
QUANTITY STÜCK	ITEM-NO. POS.	DESCRIPTION BENENNUNG	SURFACE OBERFLÄCHE COLOUR/FARBE	MATERIAL																																																							
<table border="1"> <tr> <td>TYCO ELECTRONICS CORPORATION</td> <td>DWN E. WERNER</td> <td>21-MAY-02</td> <td colspan="3">tyco Electronics AMP GmbH</td> </tr> <tr> <td>BY TYCO ELECTRONICS CORPORATION</td> <td>CHK H. SCHERER</td> <td>21-MAY-02</td> <td colspan="3">D - 64625 Bensheim</td> </tr> <tr> <td>BY TYCO ELECTRONICS CORPORATION</td> <td>APPD E. FELDMER</td> <td>21-MAY-02</td> <td colspan="3">T-DISTRIBUTOR INMOLDED T-VERTEILER UMSPRITZT</td> </tr> <tr> <td>BY TYCO ELECTRONICS CORPORATION</td> <td>NAME</td> <td></td> <td colspan="3"></td> </tr> <tr> <td>BY TYCO ELECTRONICS CORPORATION</td> <td>PRODUCT SPEC</td> <td></td> <td colspan="3"></td> </tr> <tr> <td>BY TYCO ELECTRONICS CORPORATION</td> <td>APPLICATION SPEC</td> <td></td> <td colspan="3"></td> </tr> <tr> <td>BY TYCO ELECTRONICS CORPORATION</td> <td>VERARBEITUNGSSPEZ.</td> <td></td> <td colspan="3"></td> </tr> <tr> <td>BY TYCO ELECTRONICS CORPORATION</td> <td>WEIGHT GEWICHT</td> <td></td> <td colspan="3"></td> </tr> <tr> <td>BY TYCO ELECTRONICS CORPORATION</td> <td>CUSTOMER DRAWING</td> <td></td> <td colspan="3"></td> </tr> </table>						TYCO ELECTRONICS CORPORATION	DWN E. WERNER	21-MAY-02	tyco Electronics AMP GmbH			BY TYCO ELECTRONICS CORPORATION	CHK H. SCHERER	21-MAY-02	D - 64625 Bensheim			BY TYCO ELECTRONICS CORPORATION	APPD E. FELDMER	21-MAY-02	T-DISTRIBUTOR INMOLDED T-VERTEILER UMSPRITZT			BY TYCO ELECTRONICS CORPORATION	NAME					BY TYCO ELECTRONICS CORPORATION	PRODUCT SPEC					BY TYCO ELECTRONICS CORPORATION	APPLICATION SPEC					BY TYCO ELECTRONICS CORPORATION	VERARBEITUNGSSPEZ.					BY TYCO ELECTRONICS CORPORATION	WEIGHT GEWICHT					BY TYCO ELECTRONICS CORPORATION	CUSTOMER DRAWING				
TYCO ELECTRONICS CORPORATION	DWN E. WERNER	21-MAY-02	tyco Electronics AMP GmbH																																																								
BY TYCO ELECTRONICS CORPORATION	CHK H. SCHERER	21-MAY-02	D - 64625 Bensheim																																																								
BY TYCO ELECTRONICS CORPORATION	APPD E. FELDMER	21-MAY-02	T-DISTRIBUTOR INMOLDED T-VERTEILER UMSPRITZT																																																								
BY TYCO ELECTRONICS CORPORATION	NAME																																																										
BY TYCO ELECTRONICS CORPORATION	PRODUCT SPEC																																																										
BY TYCO ELECTRONICS CORPORATION	APPLICATION SPEC																																																										
BY TYCO ELECTRONICS CORPORATION	VERARBEITUNGSSPEZ.																																																										
BY TYCO ELECTRONICS CORPORATION	WEIGHT GEWICHT																																																										
BY TYCO ELECTRONICS CORPORATION	CUSTOMER DRAWING																																																										

X-ON Electronics

Largest Supplier of Electrical and Electronic Components

Click to view similar products for [Solar Connectors](#) / [Photovoltaic Connectors](#) category:

Click to view products by [TE Connectivity](#) manufacturer:

Other Similar products are found below :

[1740699-7](#) [1971861-4](#) [1971131-4](#) [1971858-3](#) [1971861-3](#) [PV-090508-F03](#) [PV-090508-M10](#) [PV-CM-S 2 5-6 \(-\)](#) [2270184-3](#) [2270154-2](#)
[2270226-4](#) [PV-090508-M06-N](#) [1987558-2](#) [PV-090506-F03](#) [UTXPM](#) [UTXPF](#) [UTXCMB6AM](#) [1627092](#) [1017635](#) [1017636](#) [1-2306314-1](#) [1-](#)
[2306314-2](#) [1302440201](#) [1303450000](#) [PV-STICK+ VPE10](#) [2-1971862-2](#) [H4CMC6DM](#) [1705996](#) [1705995](#) [1971858-2](#) [5-2306317-2](#) [1704926](#)
[H4CFC4DIS](#) [H4CFC4DC](#) [H4CFC4DM](#) [H4CFC6DM](#) [H4CFM2DI](#) [H4CFM6DI](#) [H4CMC2DI](#) [H4CMC8DM](#) [H4CMM6DI](#) [H4CMC4DMS](#)
[H4CMC4DIS](#) [H4PF](#) [H4PM](#) [HGLUI](#) [PWJ-03BMMB-LL8001](#) [UTXCFA0AM](#) [UTXCFA4BMH](#) [UTXCMA0AM](#) [UTXCMA4AM](#)