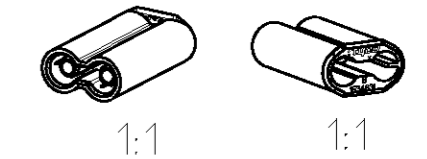
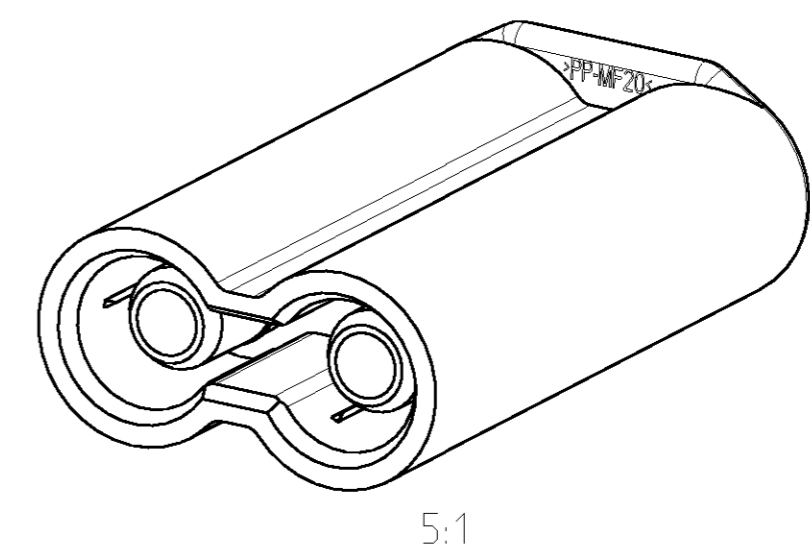
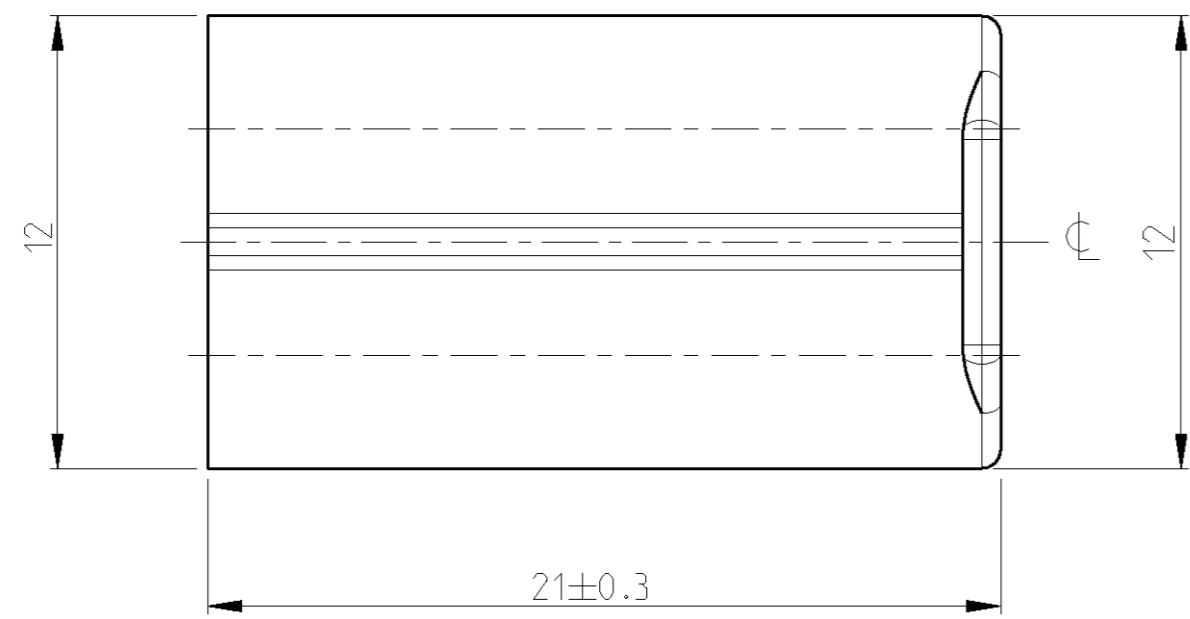
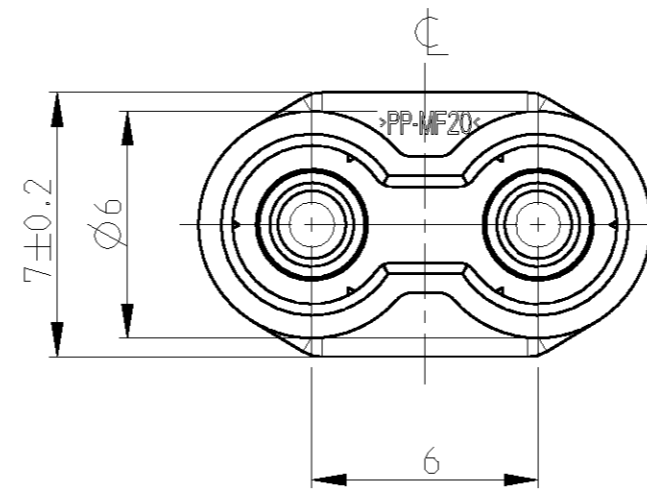
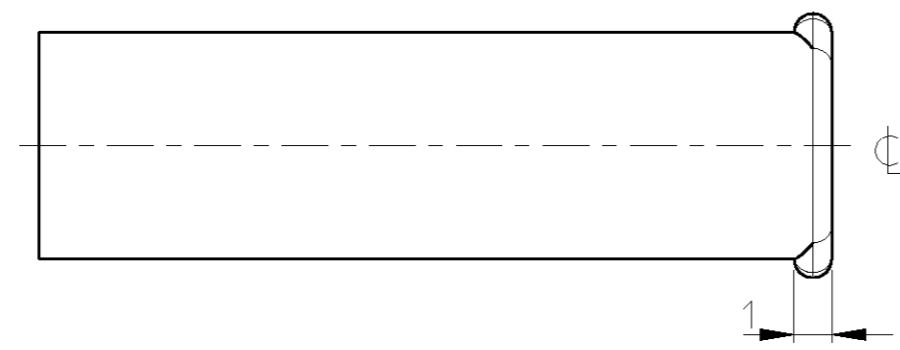


THIS DRAWING IS UNPUBLISHED. RELEASED FOR PUBLICATION 2000
 © COPYRIGHT 2000 BY TYCO ELECTRONICS CORPORATION. ALL RIGHTS RESERVED.

LOC	DIST	REVISIONS					
		P	LTR	DESCRIPTION	DATE	DWN	APVD
A1	-	D		EGA0 2297 04	18OCT2004	PR	JH
		D1		PN ergänzt	18OCT2004	HA	JH
		D2		Farbbezeichnung	26SEP2006	MW	JH

Bemerkungen
NOTES

- Laengen: DIN 16901-140
LENGTH: DIN 16901-140
- Einzelheiten der Ausfuehrung bleiben dem Hersteller ueberlassen
DETAILS OF DESIGN ARE LEFT TO MANUFACTURER
- Verpackung: Schuettgut im Karton
PACKAGING: LOOSE PIECE IN CARTON
- Zulaessiger Regeneratanteil max. 50%
RECYCLED MATERIAL MAX. 50% PERMISSIBLE
- Massgebend ist der deutsche Text
ONLY THE GERMAN LANGUAGE SHALL BE BINDING
- Passend zu Pigtail: PN 959135 (Beispiel)
SUITABLE FOR Pigtail: PN 959135 (EXAMPLE)



PART NO	REV	DESCRIPTION	WEIGHT (g)	VOLUME (mm ³)	COLOUR	ITEM NO
0-1534631-7	A	Pigtail Schutzkappe Pigtail cover cap	0,64	656	staubgrau/dusty grey Like RAL7037	7
0-1534631-6	A	Pigtail Schutzkappe Pigtail cover cap	0,64	656	braunbeige/brown beige Like RAL1011	6
0-1534631-5	A	Pigtail Schutzkappe Pigtail cover cap	0,64	656	zinkgelb/zinc yellow Like RAL1018	5
0-1534631-4	A	Pigtail Schutzkappe Pigtail cover cap	0,64	656	gelbgruen/yellow green Like RAL6018	4
0-1534631-3	A	Pigtail Schutzkappe Pigtail cover cap	0,64	656	natur/nature	3
0-1534631-2	A	Pigtail Schutzkappe Pigtail cover cap	0,64	656	blau/blue RAL 5012 704808-1 with 4/1041	2
0-1534631-1	B	Pigtail Schutzkappe Pigtail cover cap	0,64	656	tiefschwarz/jet black Like RAL9005	1

REVISION OF EACH ASSY NO (WHEN BLANK, USE DWG REVISION)

PARTS LIST

D2

DIMENSIONS: mm		TOLERANCES UNLESS OTHERWISE SPECIFIED: 1 PLC ± 2 PLC ± 3 PLC ± 4 PLC ± ANGLES ±°		DWN P.Riedel 04FEB2002 CHK J.Hahn 06FEB2002 APVD - PRODUCT SPEC 108-18850 APPLICATION SPEC - WEIGHT 0,71 g	tyco Electronics tyco Electronics AMP GmbH D - 64625 Bensheim
MATERIAL PP-MF20		FINISH -		NAME MOST Pigtail Schutzkappe MOST Pigtail dust cover	
CUSTOMER DRAWING		SCALE 5:1		SHEET 1 OF 1 REV D2	

X-ON Electronics

Largest Supplier of Electrical and Electronic Components

Click to view similar products for [Fibre Optic Connectors](#) category:

Click to view products by [TE Connectivity](#) manufacturer:

Other Similar products are found below :

[0004700001](#) [6100-R](#) [6313](#) [F709034706](#) [F709722200](#) [F709730000](#) [F718183204](#) [F727403500](#) [F727752800](#) [8119](#) [9440F20-27S-190](#) [944-120-6001](#) [9441F10SL-3S](#) [9444W28-21S](#) [9444W36-10S](#) [9446F10SL-4S](#) [9446W20-16S](#) [953-101-5310-P](#) [954-101-57202B](#) [A0270169](#) [12-9122](#) [12-5702](#) [AX101713](#) [AX102420](#) [AX103923](#) [AX104024](#) [AX104193](#) [AX104230](#) [AX104498](#) [AX104562](#) [AX105203-B25](#) [AX105205-S1](#) [EHSC2M](#) [181-011-126](#) [181-011-S](#) [181-057-126](#) [HRFC-R2\(40\)](#) [NKSOPBUY](#) [20500002116](#) [2064996-1](#) [20800001065](#) [2170](#) [9132](#) [2612](#) [2620](#) [9291](#) [9440F16-10S](#) [9440F20-18S](#) [9442W14S-10P](#) [9446F16-10S-190](#)