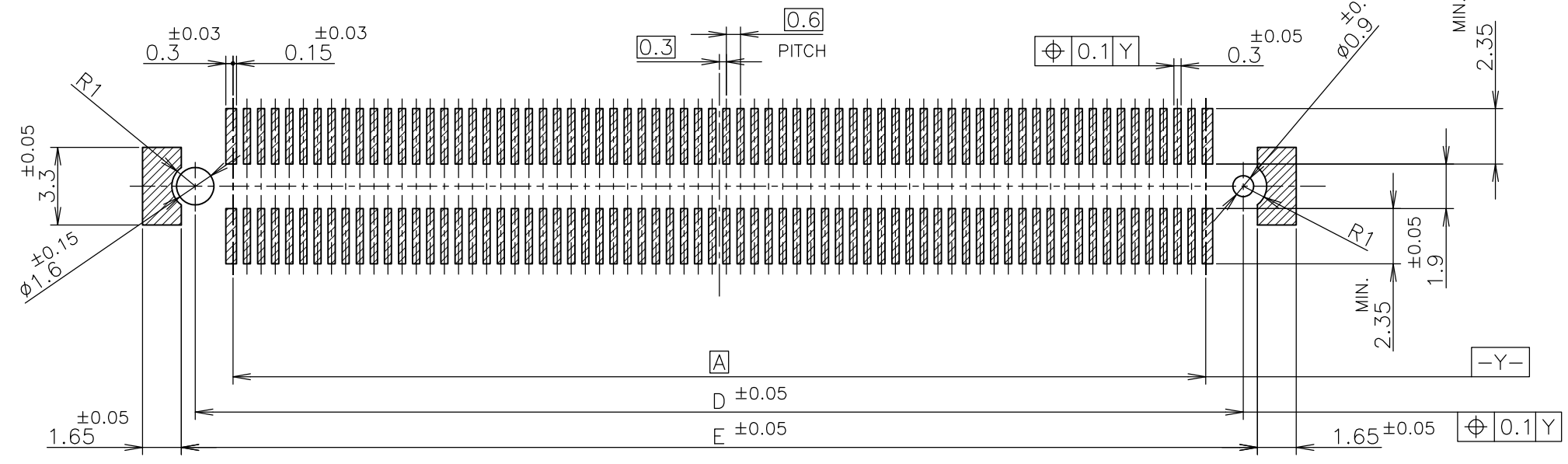
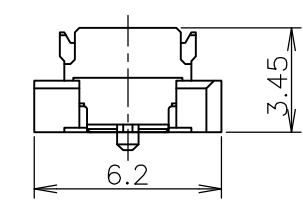
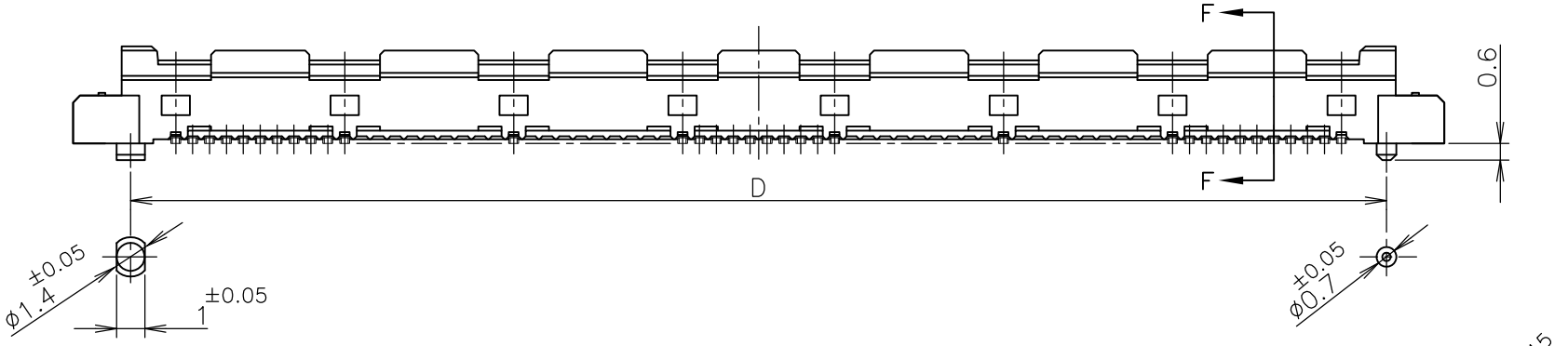
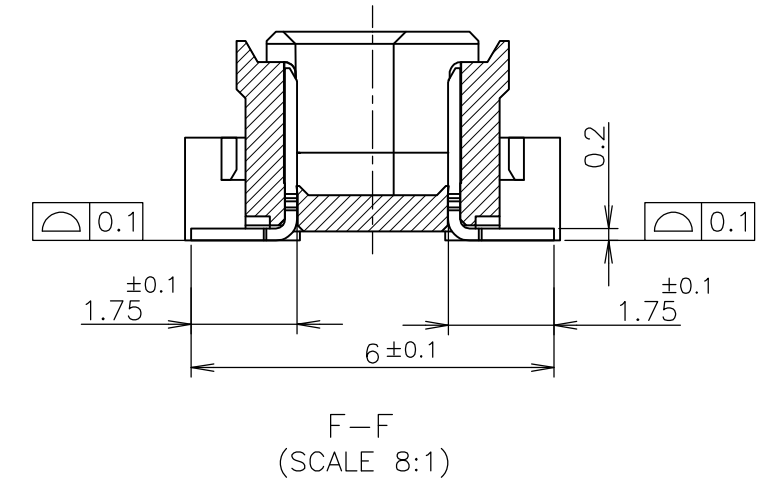
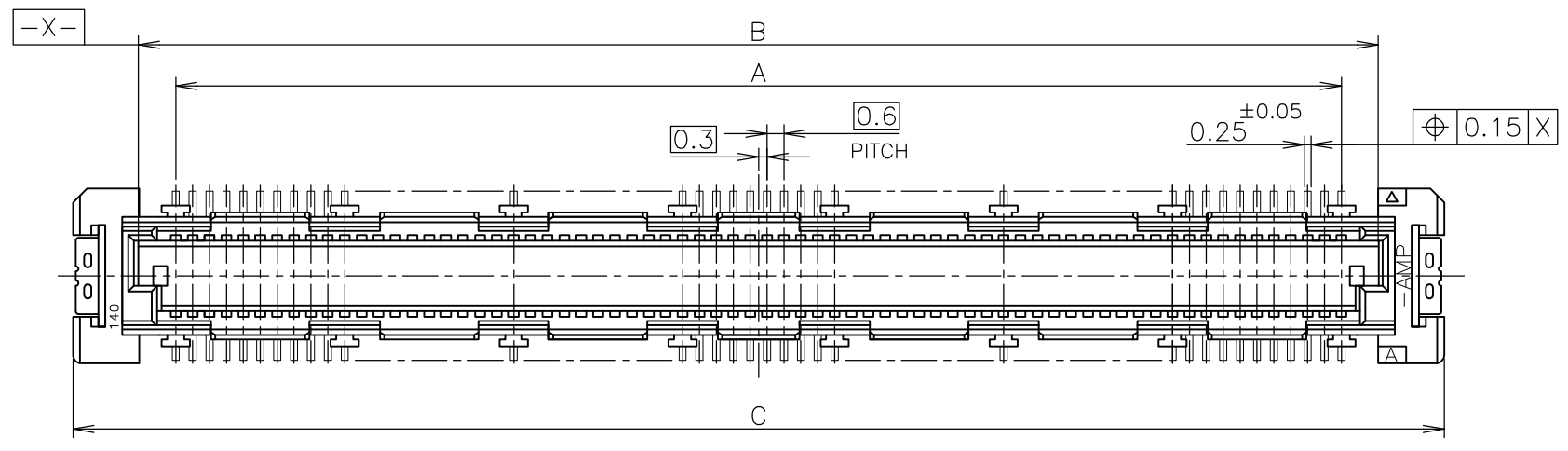




THIS DRAWING IS UNPUBLISHED. RELEASED FOR PUBLICATION JUN ,1996.  
 © COPYRIGHT 1996 By - ALL RIGHTS RESERVED.

LOC	DIST	REVISIONS					
J		P	LTR	DESCRIPTION	DATE	DWN	APVD
		-		SEE SHEET 1	-	-	-



△ MATERIAL ; HOUSING : HIGH TEMP THERMO PLASTIC UL94V-0  
 CONTACT : COPPER ALLOY  
 △ FINISH ; UNDER PL Ni 0.0013mm MIN ALL OVER.  
 CONTACT AREA 0.0002 MIN Au PL.  
 SOLDERING AREA 0.001 MIN TIN PL.

REFERENCE P.C.BOARD LAYOUT

ACTIVE	AVAILABLE	51.8	50.6	54.7	50	47.4	160
ACTIVE	AVAILABLE	45.8	44.6	48.7	44	41.4	140
OBSOLETE	NOT AVAILABLE	39.8	38.6	42.7	38	35.4	120
ACTIVE	AVAILABLE	33.8	32.6	36.7	32	29.4	100
OBSOLETE	NOT AVAILABLE	30.8	29.6	33.7	29	26.4	90
OBSOLETE	NOT AVAILABLE	27.8	26.6	30.7	26	23.4	80
ACTIVE	AVAILABLE	24.8	23.6	27.7	23	20.4	70
ACTIVE	AVAILABLE	21.8	20.6	24.7	20	17.4	60
ACTIVE	AVAILABLE	18.8	17.6	21.7	17	14.4	50
OBSOLETE	NOT AVAILABLE	15.8	14.6	18.7	14	11.4	40
OBSOLETE	NOT AVAILABLE	12.8	11.6	15.7	11	8.4	30
STATUS	TOOLING STATUS	E	D	C	B	A	POS

THIS DRAWING IS A CONTROLLED DOCUMENT.		DWN		TE Connectivity	
DIMENSIONS: 單位: 耗 mm		CHK			
TOLERANCES UNLESS OTHERWISE SPECIFIED: 一般公差		APVD			
0 PLC ± 0.3 1 PLC ± 0.3 2 PLC ± 0.3 3 PLC ± 0.3 4 PLC ± 0.3 ANGLES ± 3°		NAME 名称			
MATERIAL 材料		FINISH 仕上		EMBOSS ASSY FH 0.6BTB CONNECTOR PLUG 4H STD TYPE	
△ 1		△ 2		SIZE	RESTRICTED TO
		CUSTOMER DRAWING		A3	
				CAGE CODE	REV
				G-5353183	C
				SCALE 尺度 4:1	
				SHEET 2 OF 2	

## X-ON Electronics

Largest Supplier of Electrical and Electronic Components

*Click to view similar products for [Board to Board & Mezzanine Connectors](#) category:*

*Click to view products by [TE Connectivity](#) manufacturer:*

Other Similar products are found below :

[589158040000018](#) [FCN-230C068-11](#) [FCN-268F012-G/BD](#) [FCN-268F036-G/BD](#) [FCN-268M012-G/0D](#) [FCN-268M024-G/1D](#) [FCN-723J004/1](#) [MIS-048-01-F-D-DP-K](#) [832-10-034-10-001000](#) [FX4C-80S-1.27DSA](#) [FCN-214Q030-G/0](#) [FCN-234P048-G/0](#) [FCN-235D050-G/C](#) [210-93-314-41-105000](#) [2-22603-0](#) [MDF7-40DP-2.54DSA\(55\)](#) [AXG720047](#) [5031084030](#) [MIT-114-03-F-D-K](#) [55323-1519](#) [DF33-2P-3.3DSA\(24\)](#) [YFT-20-05-H-03-SB-K](#) [503308-3040](#) [026-6203-PDB](#) [027-6203-PDB](#) [069159702701000](#) [10123981-102LF](#) [101A10019X](#) [55650-0588-C](#) [68684-306](#) [75140-7012](#) [589159005003045](#) [194261-1](#) [FCN-268F024-G0D](#) [10124054-515LF](#) [68685-603](#) [8-1616154-3](#) [MIS-019-01-F-D](#) [589159005002045](#) [541371078](#) [IL-WX-10PB-HF-B-E1000E](#) [FCN-268M024-G/3D](#) [20021832-06016C1LF](#) [KX15-20KLDL-E1000E](#) [MDF7-16DP-2.54DSA\(55\)](#) [AXE810124](#) [FCN-214J100-G/0](#) [FCN-230C068-E/S](#) [AXE812124](#) [AXE816124](#)