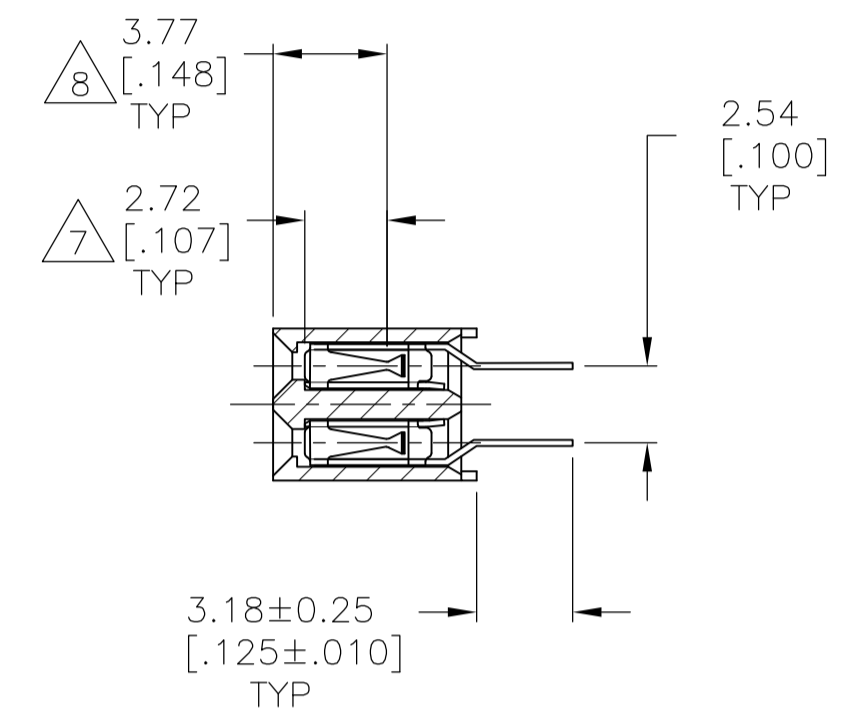
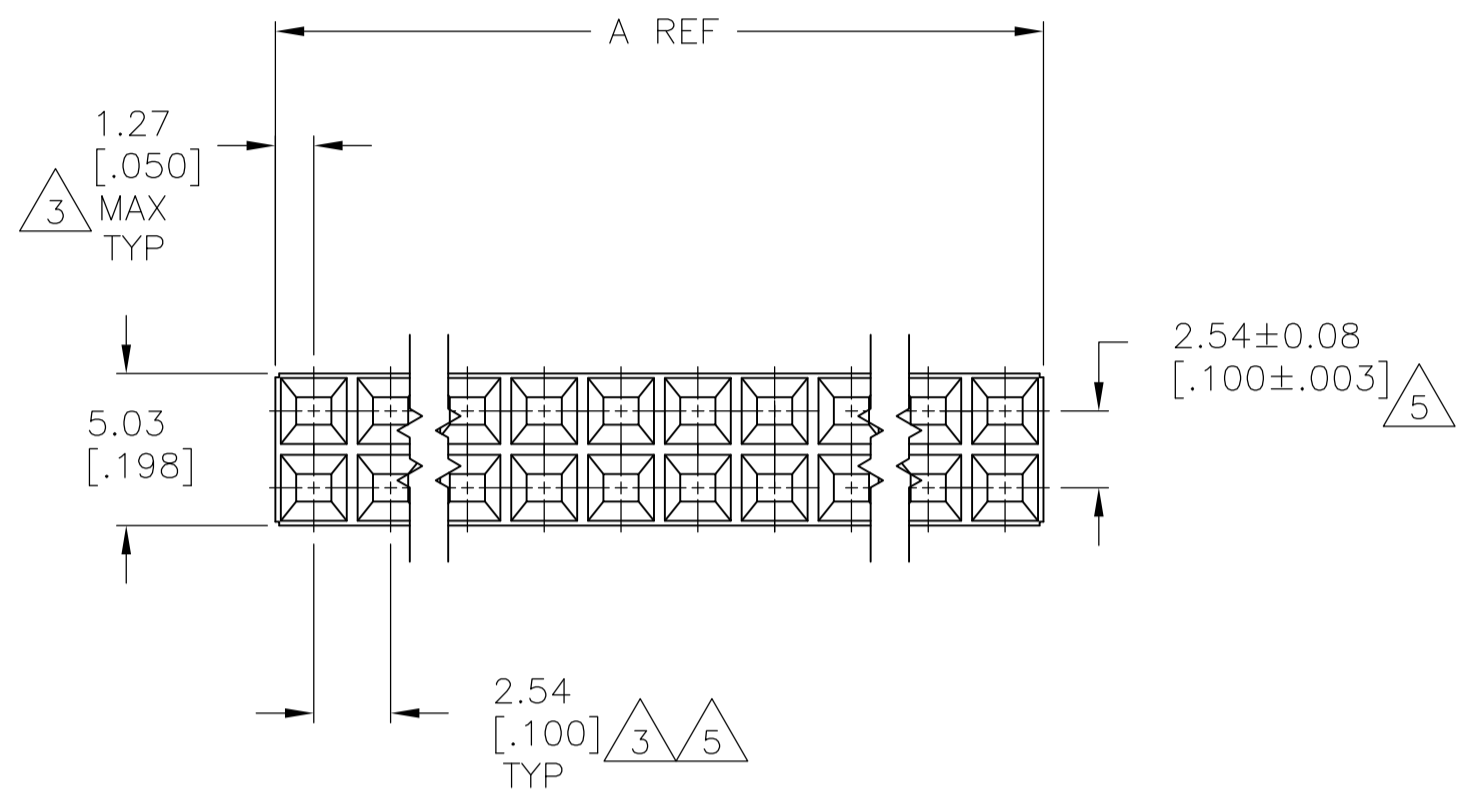


RECOMMENDED PC BOARD HOLE PATTERN
PC BOARD THICKNESS 1.57[.062]



- 1 HOUSING: FLAME RETARDANT, GLASS FILLED, THERMOPLASTIC, COLOR: BLACK.
CONTACT: PHOSPHOR BRONZE
- 2 CONTACT: AREA, 2.54-5.08µm[.000100-.000200] BRIGHT TIN-LEAD OVER 1.27µm[.000050] MIN NICKEL
- 3 THESE DIMENSIONS PERTAIN TO CAVITY CENTERLINES ONLY - NOT TO CONTACT LOCATIONS
- 4 MARK PART NUMBER AND DATE CODE ARE MARKED IN APPROXIMATE LOCATION SHOWN, EITHER SIDE.
- 5 TOLERANCE IS NON-CUMULATIVE.
- 6 2 POSITION DATE CODE IS MARKED OPPOSITE SIDE OF TE LOGO.
- 7 POINT-OF-MEASUREMENT DIMENSION FOR PLATING THICKNESS (INSIDE CONTACT BEAM).
- 8 POINT-OF-CONTACT DIMENSION.
- 9 CONTACT: AREA, 2.54-5.08µm[.000100-.000200] MATTE TIN OVER 1.27µm[.000050] MIN NICKEL
- 10 TE TRADEMARK AND CSA LOGO ARE MOLDED INTO HOUSING, THIS LOCATION.
- 11 NO PART NUMBER MARKING REQUIRED FOR THIS PART.
- 12 ROHS 2002/95/EC COMPLIANT.

96.52[3.800]	99.06[3.900]	78	12	9-535585-0
93.98[3.700]	96.52[3.800]	76	12	8-535585-9
91.44[3.600]	93.98[3.700]	74	12	8-535585-8
88.90[3.500]	91.44[3.600]	72	12	8-535585-7
86.36[3.400]	88.90[3.500]	70	12	8-535585-6
83.82[3.300]	86.36[3.400]	68	12	8-535585-5
81.28[3.200]	83.82[3.300]	66	12	8-535585-4
78.74[3.100]	81.28[3.200]	64	12	8-535585-3
76.20[3.000]	78.74[3.100]	62	12	8-535585-2
71.12[2.800]	73.66[2.900]	58	12	8-535585-1
68.58[2.700]	71.12[2.800]	56	12	8-535585-0
66.04[2.600]	68.58[2.700]	54	12	7-535585-9
63.50[2.500]	66.04[2.600]	52	12	7-535585-8
58.42[2.300]	60.96[2.400]	48	12	7-535585-7
55.88[2.200]	58.42[2.300]	46	12	7-535585-6
53.34[2.100]	55.88[2.200]	44	12	7-535585-5
50.80[2.000]	53.34[2.100]	42	12	7-535585-4
99.06[3.900]	101.60[4.000]	80	12	7-535585-3
73.66[2.900]	76.20[3.000]	60	12	7-535585-2
60.96[2.400]	63.50[2.500]	50	12	7-535585-1
48.26[1.900]	50.80[2.000]	40	12	7-535585-0
45.72[1.800]	48.26[1.900]	38	12	6-535585-9
43.18[1.700]	45.72[1.800]	36	12	6-535585-8
40.64[1.600]	43.18[1.700]	34	12	6-535585-7
38.10[1.500]	40.64[1.600]	32	12	6-535585-6
35.56[1.400]	38.10[1.500]	30	12	6-535585-5
33.02[1.300]	35.56[1.400]	28	12	6-535585-4
30.48[1.200]	33.02[1.300]	26	12	6-535585-3
27.94[1.100]	30.48[1.200]	24	12	6-535585-2
25.40[1.000]	27.94[1.100]	22	12	6-535585-1
22.86[.900]	25.40[1.000]	20	12	6-535585-0
20.32[.800]	22.86[.900]	18	12	5-535585-9
17.78[.700]	20.32[.800]	16	12	5-535585-8
15.24[.600]	17.78[.700]	14	12	5-535585-7
12.70[.500]	15.24[.600]	12	12	5-535585-6
10.16[.400]	12.70[.500]	10	12	5-535585-5
7.62[.300]	10.16[.400]	8	12	5-535585-4
5.08[.200]	7.62[.300]	6	12	5-535585-3
2.54[.100]	5.08[.200]	4	12	5-535585-2
-	2.54[.100]	2	12	5-535585-1
12.70[.500]	15.24[.600]	12	12	5-535585-2
10.16[.400]	12.70[.500]	10	12	5-535585-1

SUPERSEDED BY 6-535585-0	9	35.56[1.400]	38.10[1.500]	30	4-535585-1
		96.52[3.800]	99.06[3.900]	78	4-535585-0
		93.98[3.700]	96.52[3.800]	76	3-535585-9
		91.44[3.600]	93.98[3.700]	74	3-535585-8
		88.90[3.500]	91.44[3.600]	72	3-535585-7
		86.36[3.400]	88.90[3.500]	70	3-535585-6
		83.82[3.300]	86.36[3.400]	68	3-535585-5
		81.28[3.200]	83.82[3.300]	66	3-535585-4
		78.74[3.100]	81.28[3.200]	64	3-535585-3
		76.20[3.000]	78.74[3.100]	62	3-535585-2
		71.12[2.800]	73.66[2.900]	58	3-535585-1
		68.58[2.700]	71.12[2.800]	56	3-535585-0
		66.04[2.600]	68.58[2.700]	54	2-535585-9
		63.50[2.500]	66.04[2.600]	52	2-535585-8
		58.42[2.300]	60.96[2.400]	48	2-535585-7
		55.88[2.200]	58.42[2.300]	46	2-535585-6
		53.34[2.100]	55.88[2.200]	44	2-535585-5
		50.80[2.000]	53.34[2.100]	42	2-535585-4
		99.06[3.900]	101.60[4.000]	80	2-535585-3
		73.66[2.900]	76.20[3.000]	60	2-535585-2
		60.96[2.400]	63.50[2.500]	50	2-535585-1
		48.26[1.900]	50.80[2.000]	40	2-535585-0
		45.72[1.800]	48.26[1.900]	38	1-535585-9
		43.18[1.700]	45.72[1.800]	36	1-535585-8
		40.64[1.600]	43.18[1.700]	34	1-535585-7
		38.10[1.500]	40.64[1.600]	32	1-535585-6
		35.56[1.400]	38.10[1.500]	30	1-535585-5
		33.02[1.300]	35.56[1.400]	28	1-535585-4
		30.48[1.200]	33.02[1.300]	26	1-535585-3
		27.94[1.100]	30.48[1.200]	24	1-535585-2
		25.40[1.000]	27.94[1.100]	22	1-535585-1
		22.86[.900]	25.40[1.000]	20	1-535585-0
SUPERSEDED BY 5-535585-9		20.32[.800]	22.86[.900]	18	535585-9
SUPERSEDED BY 5-535585-8		17.78[.700]	20.32[.800]	16	535585-8
		15.24[.600]	17.78[.700]	14	535585-7
		12.70[.500]	15.24[.600]	12	535585-6
		10.16[.400]	12.70[.500]	10	535585-5
		7.62[.300]	10.16[.400]	8	535585-4
		5.08[.200]	7.62[.300]	6	535585-3
		2.54[.100]	5.08[.200]	4	535585-2
SUPERSEDED BY 5-535585-3		-	2.54[.100]	2	535585-1
		12.70[.500]	15.24[.600]	12	535585-2
		10.16[.400]	12.70[.500]	10	535585-1
FINISH	B	A	NO OF POSN	PART NUMBER	

THIS DRAWING IS A CONTROLLED DOCUMENT. DIN M. BINNER 06NOV2002
CHK: J. JOLSON 06NOV02
APVD: J. JOLSON 06NOV02 NAME: J. JOLSON

RECEPTACLE ASSEMBLY, MOD IV, DOUBLE ROW, DUAL ENTRY, .100X.100CL, VERTICAL MOUNT, AMPMODU

108-25022
114-25018
00779-535585

CUSTOMER DRAWING SCALE 1:1 SHEET 1 OF 1 REV S4

X-ON Electronics

Largest Supplier of Electrical and Electronic Components

Click to view similar products for [Headers & Wire Housings](#) category:

Click to view products by [TE Connectivity](#) manufacturer:

Other Similar products are found below :

[892-18-020-10-001101](#) [58102-G61-06LF](#) [582553-1](#) [0009485154](#) [009176003701906](#) [0050291907](#) [LY20-4P-DT1-P1E-BR](#) [02.125.8002.8](#)
[609-3404](#) [61062-3](#) [61082-181009](#) [622-3653LF](#) [63453-116](#) [636-1030](#) [636-1427](#) [636-3427](#) [636-4007](#) [641938-9](#) [641991-4](#) [644827-2](#) [65817-](#)
[010LF](#) [65817-015LF](#) [65863-015LF](#) [66207-023LF](#) [67095-007LF](#) [67601157](#) [68645-018](#) [68648-049](#) [70.362.1628.0](#) [70-4210](#) [70-4226B](#) [70-](#)
[4853B](#) [707-5020](#) [707-5028](#) [71.350.2428.0](#) [71918-208LF](#) [71961-016LF](#) [733-134](#) [733-162](#) [754199-000](#) [760-3052](#) [787-8014-00](#) [79531-3000](#)
[FCN-360C032-B](#) [FCN-367T-T012/H](#) [FCN-723D010/2](#) [80.063.4001.1](#) [800-90-001-10-001000](#) [800-90-010-10-002000](#) [801-43-002-10-013000](#)