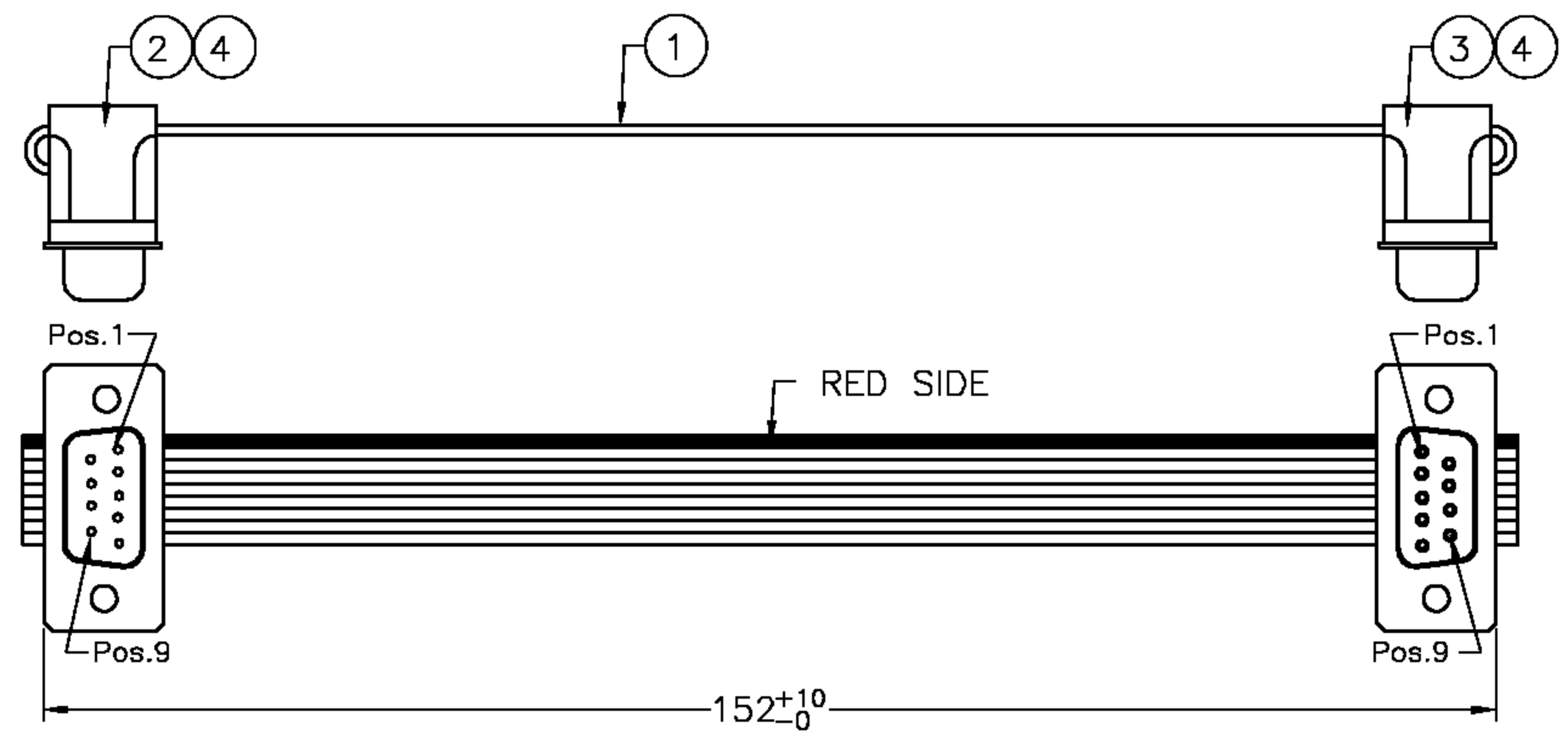


USED ON —



TYCO P/N: 1537731-1  
 CUSTOMER P/N: EB-GCN-04-248-01-9

QTY	U/M	PART NO.	DESCRIPTION	ITEM
2	PC		STRAIN RELIEF FOR 9 PIN	4
1	PC		DB9 FEMALE, IDC TYPE, FOR WIRE 28AWG INSULATION: BLACK	3
1	PC		DB9 MALE, IDC TYPE, FOR WIRE 28AWG INSULATION: BLACK	2
AR	MR		UL2651 28AWG 9C, 1.27MM PITCH, GRAY	1

DWN	21JUL04	MATERIAL	HEAT TREAT
BOVEY LIU		—	—
CHK	20AUG04		
PHILIP YANG			
APVD	20AUG04		
SINGOL HE			
NAME	DB9M TO DB9F FLAT CABLE ASSEMBLY		
SCALE	SIZE	DRAWING NO	SHEET OF REV
N.T.S.	A3	1537731	1 OF 1 A

DIMENSIONS:		TOLERANCES UNLESS OTHERWISE SPECIFIED:	
MM		0 PLC	± —
		1 PLC	± —
		2 PLC	± —
		3 PLC	± —
		4 PLC	± —
ANGLES ±	—		
SURFACE TEXTURE	√		

	A	ECN-0412333	22NOV04	BL	KL
P	LTR	REVISION RECORD	DATE	DWN	APVD

LOC  
HS  
DIST  
00

DWG NO 1537731  
 THIS DRAWING IS A CONTROLLED DOCUMENT.

THIS INFORMATION IS CONFIDENTIAL AND PROPRIETARY TO TYCO ELECTRONICS CORPORATION AND ITS WORLDWIDE SUBSIDIARIES AND AFFILIATES. IT MAY NOT BE DISCLOSED TO ANYONE, OTHER THAN TYCO ELECTRONICS PERSONNEL, WITHOUT WRITTEN AUTHORIZATION FROM TYCO ELECTRONICS CORPORATION, HARRISBURG, PENNSYLVANIA USA.

## X-ON Electronics

Largest Supplier of Electrical and Electronic Components

*Click to view similar products for te connectivity manufacturer:*

Other Similar products are found below :

[570416-000](#) [CLTEQ-M81CE-SSRELAY-4-20V](#) [4-1633138-8](#) [1-2217206-1](#) [D38999/24FJ4AN](#) [358838-000](#) [4-1195131-0](#) [650069-000](#)  
[SMD100-2](#) [CB-1022B-78](#) [RM707012](#) [RP410012](#) [MMS42](#) [1-640426-8](#) [2EDL4CM](#) [DTS20W19-11PD-3028](#) [DTS20W19-11PD-3028-LC](#)  
[DTS20W19-32SD-3028-LC](#) [DTS20W19-32SD-3028](#) [RM202615](#) [NC6-P104-06](#) [TXR64AB90-3616AI](#) [MSPS103B](#) [DTS26F21-41HE](#)  
[DTS26F21-41AE](#) [DTS26F21-41PE-LC](#) [DTS26F21-11SE-3028-LC](#) [1932144-1](#) [293545-4](#) [LVR125S](#) [MS27466T25F4PB](#) [CKB-38-78010](#)  
[1206SFF150F/63-2](#) [5-2027513-8](#) [D38999/20JB35HA](#) [D38999/24WJ20PA](#) [1754138-1](#) [TE1500A2R2J](#) [DTS24F25-29PC-3028-LC](#) [164-8033-](#)  
[08](#) [D38999/24WG11HA](#) [D38999/24WG11HN](#) [MS27467T21F11H](#) [DJT16E21-11HA](#) [1206SFH150F/24-2](#) [1-532955-3](#) [DTS20W19-32SA-](#)  
[3028-LC](#) [DTS24F19-11SC-3028-LC](#) [DTS24F19-11SC-3028](#) [D38999/20WC8BB](#)