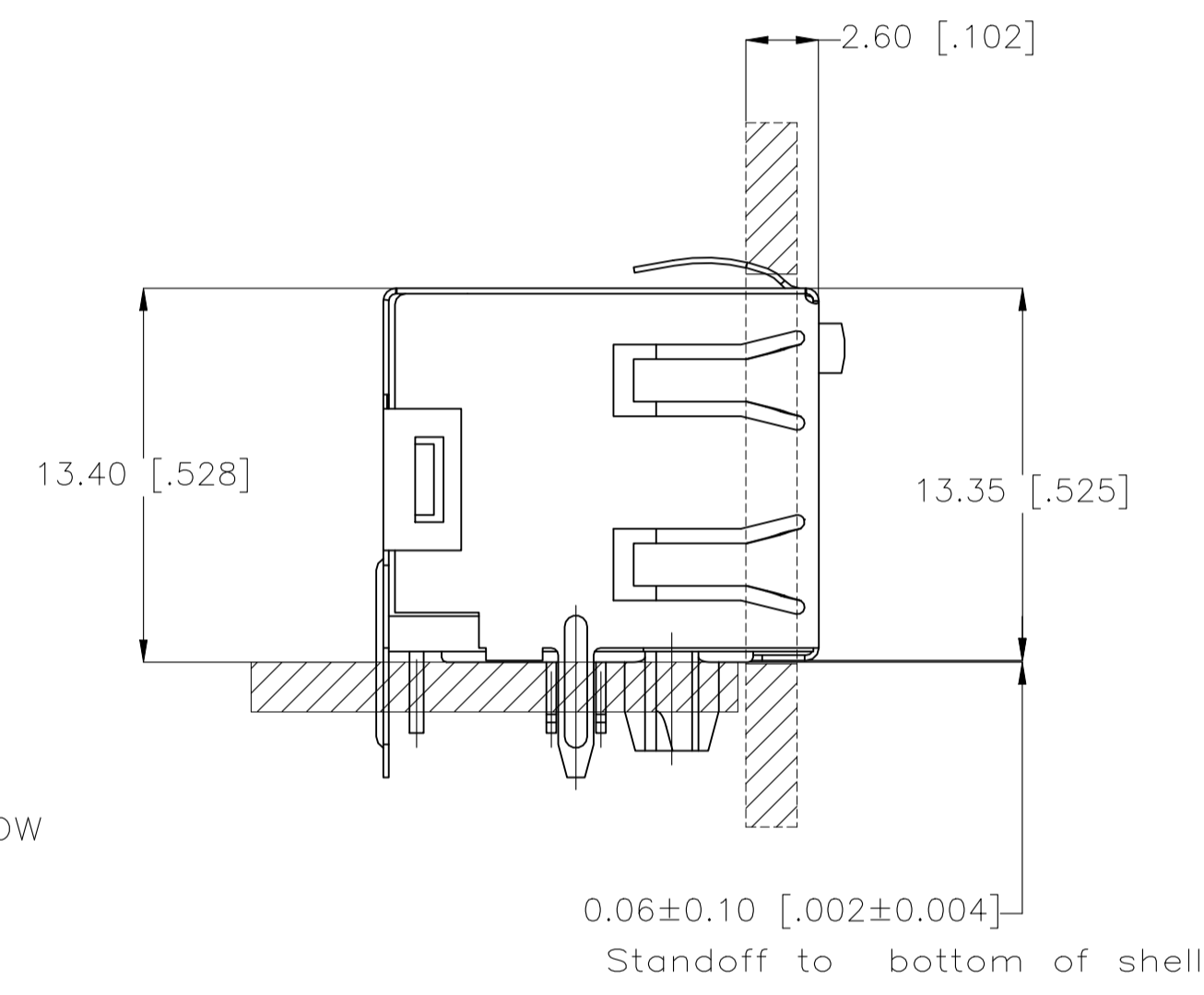
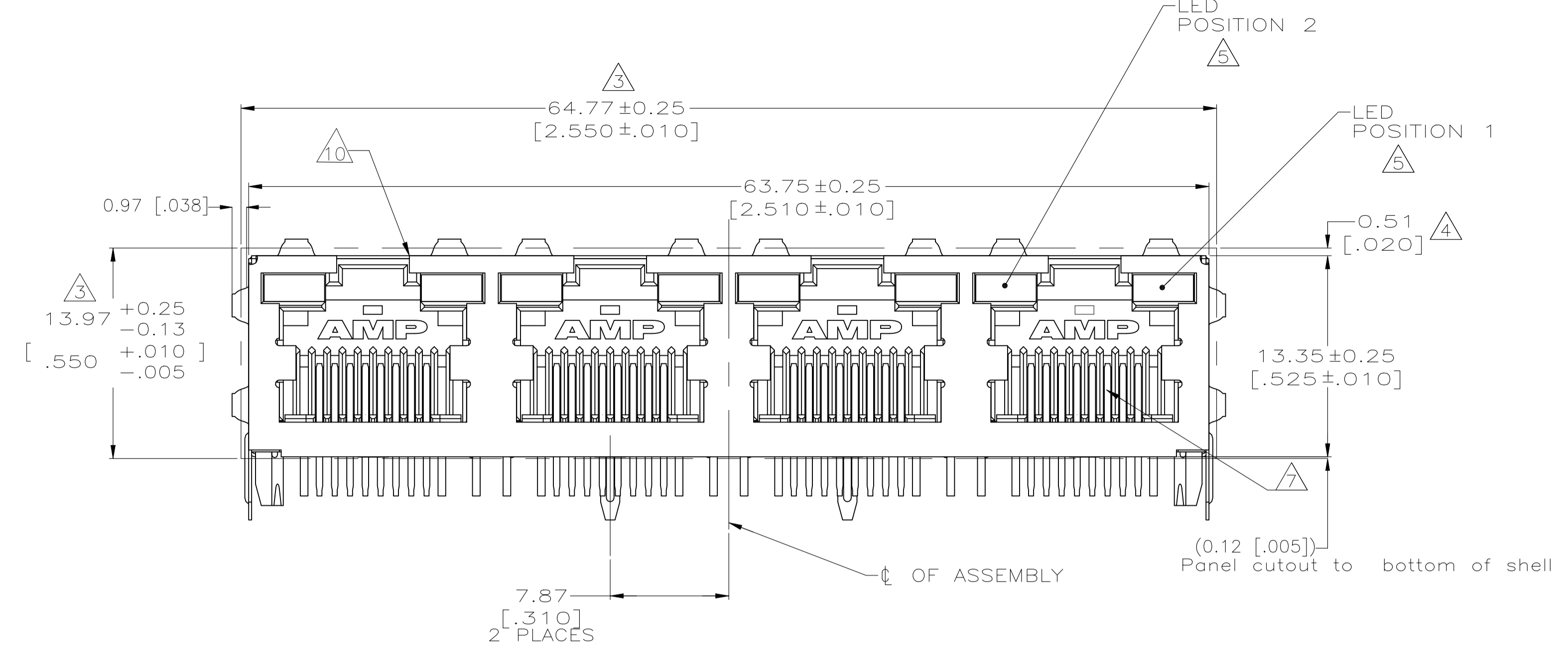
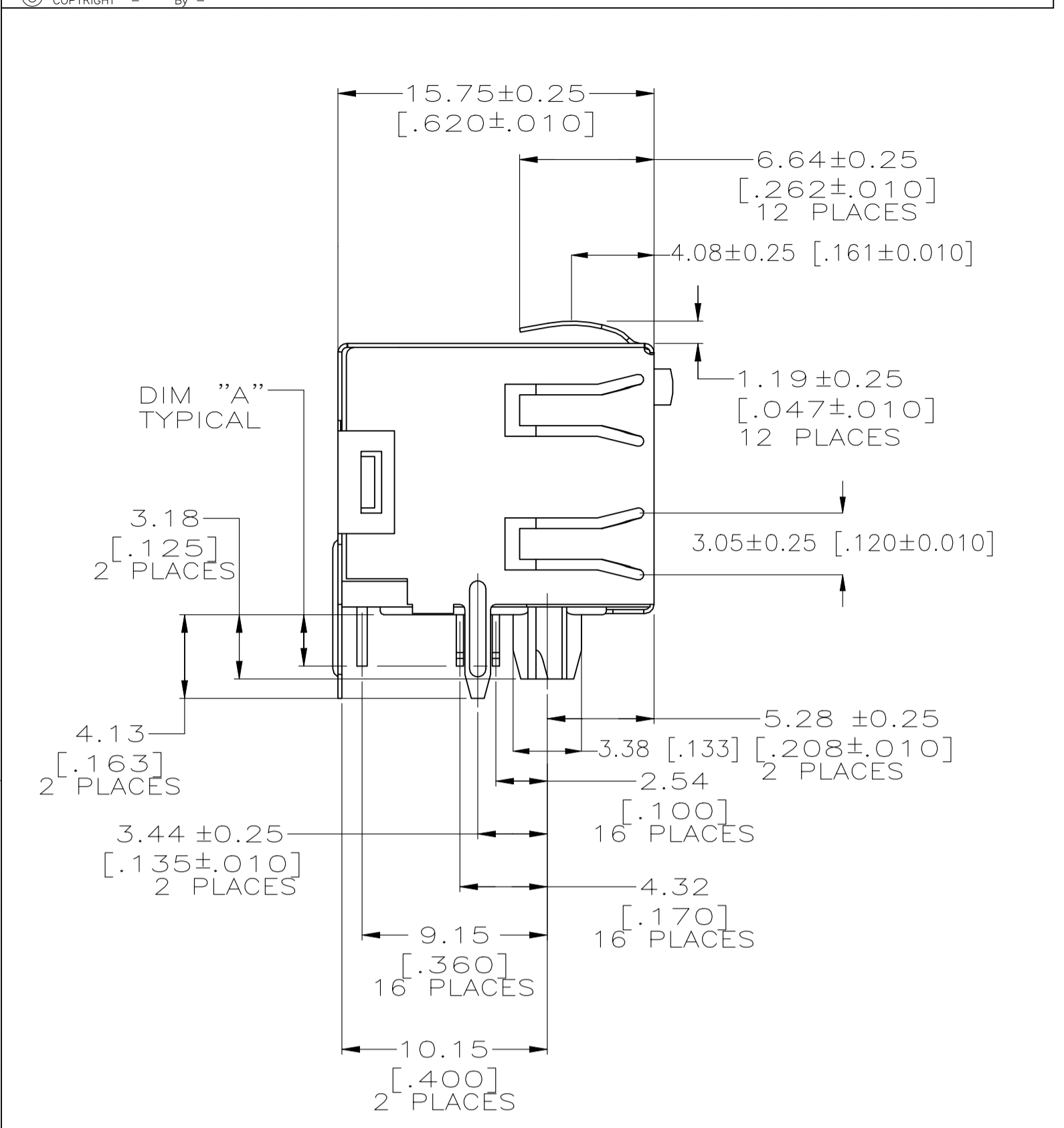
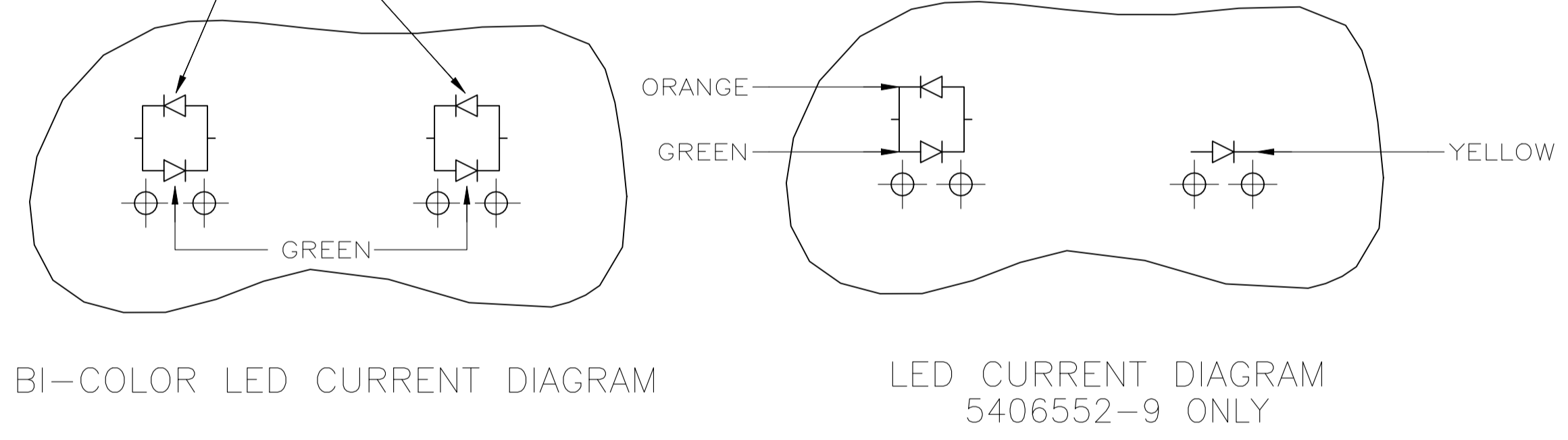


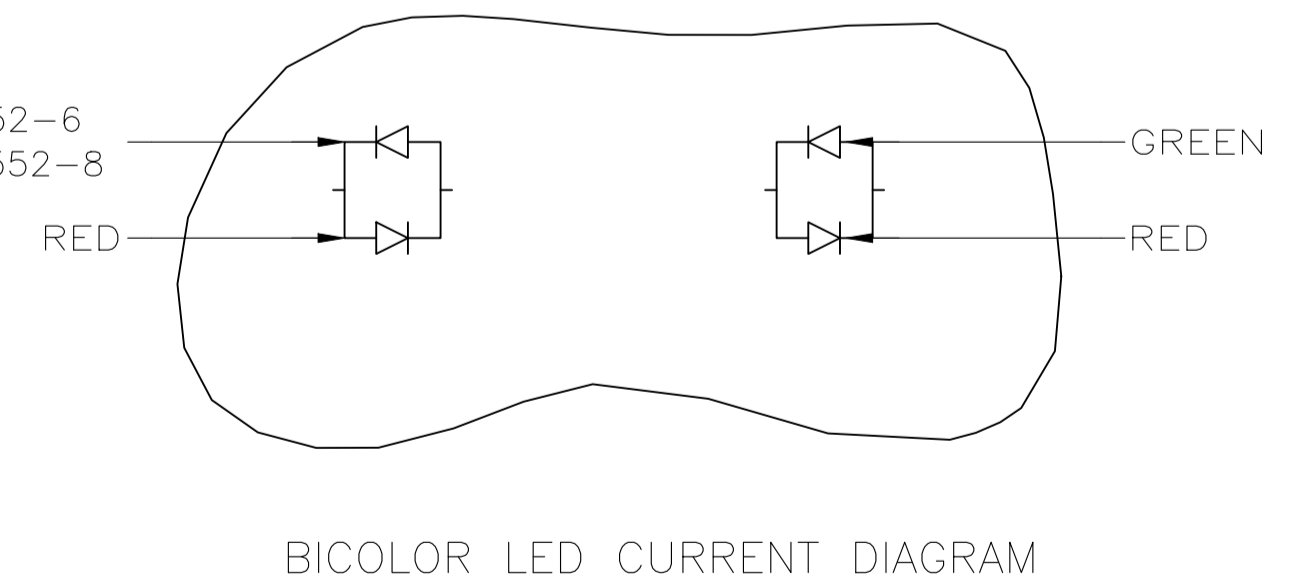
REVISIONS				
REV	DATE	BY	CHK	APPV
G	11DEC2021	AK	SZ	



RED FOR 1-5406552-3
 YELLOW FOR 5406552-8
 AND 2-5406552-0
 ORANGE FOR 5406552-7



GREEN FOR 1-5406552-6
 YELLOW FOR 1-5406552-8



- MATERIAL:
 HOUSING - HIGH TEMPERATURE THERMOPLASTIC, BLACK, UL94V-0.
 TERMINALS - 0.36[.014] THICK PHOS BRONZE PLATED WITH 3.81µm[.000150] MINIMUM THICK MATTE TIN IN SOLDER AREA. 1.27µm[.000050] MINIMUM GOLD IN LOCALIZED PLATE AREA. ENTIRE TERMINAL PLATED WITH 1.27µm[.000050] MINIMUM THICK NICKEL.
 SHIELD - 0.196[.0077] THICK COPPER ZINC ALLOY PREPLATED WITH 1.27µm[.000050] MINIMUM SATIN NICKEL WITH 2.03µm[.000080] MINIMUM TIN POST DIPPED ON PCB GROUND TABS.
 LIGHT EMITTING DIODE (LED) - DIFFUSED EPOXY LENS, 0.51 x 0.51[.020 x .020] CARBON STEEL WIREFRAME LEADS PREPLATED WITH 8.89 µm THICK Sn/Cu OVER 2.03 µm THICK Ag OVER 1.02 µm THICK Cu OVER 3.56 µm THICK Ni OVER 1.02 µm THICK Cu UNDERPLATE
- JACK CAVITY CONFORMS TO FCC RULES AND REGULATIONS PART 68, SUBPART F.
- SUGGESTED PANEL OPENING DIMENSIONS.
- SUGGESTED CLEARANCE BETWEEN TOP OF CONNECTOR AND TOP PANEL OPENING.
- SEE TABLE FOR COLOR OF LEDS AND NUMBER REQUIRED.
- THIS MODULAR JACK WITH INTEGRATED LED IS NOT IR REFLOW SOLDERING PROCESS COMPATIBLE.
- CONTACT AREA LUBRICATED WITH BELLCORE APPROVED LUBRICANT. TECHNICAL REFERENCE GR-1217-CORE, ISSUE 1. NOVEMBER 1995.
- THE PART IS PRELIMINARY
- OBsolete PARTS: OBSOLETE CIS STREAMLINING PER D.RENAUD/D.SINISI
- P/N TO BE ETCHED ON TOP SURFACE OF FINISHED ASSEMBLY (METAL SHELL), APPLICABLE ONLY TO 2-5406552-4.

INDICATOR COLOR FOR EACH HOUSING	INDICATOR COLOR FOR EACH HOUSING	INDICATOR COLOR FOR EACH HOUSING	PART NUMBER
YELLOW	GREEN	2-5406552-4	
OBsolete .162 YELLOW	GREEN	2-5406552-1	
.132 GREEN/YELLOW	GREEN/YELLOW	2-5406552-0	
OBsolete .146 RED/GREEN	RED/GREEN	1-5406552-9	
.100 RED/YELLOW	RED/GREEN	1-5406552-8	
.100 GREEN	-	1-5406552-7	
OBsolete .126 RED/GREEN	RED/GREEN	1-5406552-6	
.100 SEE VIEW A (SHEET 2)	SEE VIEW A (SHEET 2)	1-5406552-5	
.100 RED	GREEN	1-5406552-4	
.100 GREEN/RED	GREEN/RED	1-5406552-3	
.120 GREEN	GREEN	1-5406552-1	
.100 GREEN/ORANGE	YELLOW	5406552-9	
.100 GREEN/YELLOW	GREEN/YELLOW	5406552-8	
.100 GREEN/ORANGE	GREEN/ORANGE	5406552-7	
OBsolete .100 YELLOW	YELLOW	5406552-6	
.100 GREEN	GREEN	5406552-5	
OBsolete .100 GREEN	YELLOW	5406552-4	
OBsolete .100 YELLOW	-	5406552-3	
.100 -	GREEN	5406552-2	
.100 YELLOW	GREEN	5406552-1	
DIM A	POSITION 2	POSITION 1	
SOLDERTAIL LENGTH	INDICATOR COLOR FOR EACH HOUSING		PART NUMBER

THIS DRAWING IS A CONTROLLED DOCUMENT.

DIMENSIONS: mm

TOLERANCES UNLESS OTHERWISE SPECIFIED:

0. PLC	±	-
1. PLC	±	-
2. PLC	±	0.25[.01]
3. PLC	±	0.13[.005]
4. PLC	±	-
ANGLES	±	-

MATERIAL: SEE NOTE 1

FINISH: SEE NOTE 1

APPROVED: J. WESTMAN

DATE: 10MAY2005

NAME: S. FLICKINGER

PRODUCT SPEC: 108-1163-4

APPLICATION SPEC: 114-2154

WEIGHT: -

SCALE: 4:1

SHEET: 1 OF 2

REV: G

STE TE Connectivity Ltd.

INVERTED MODULAR JACK ASSEMBLY, 1X4, SHIELDED, PANEL GROUND, WITH LED

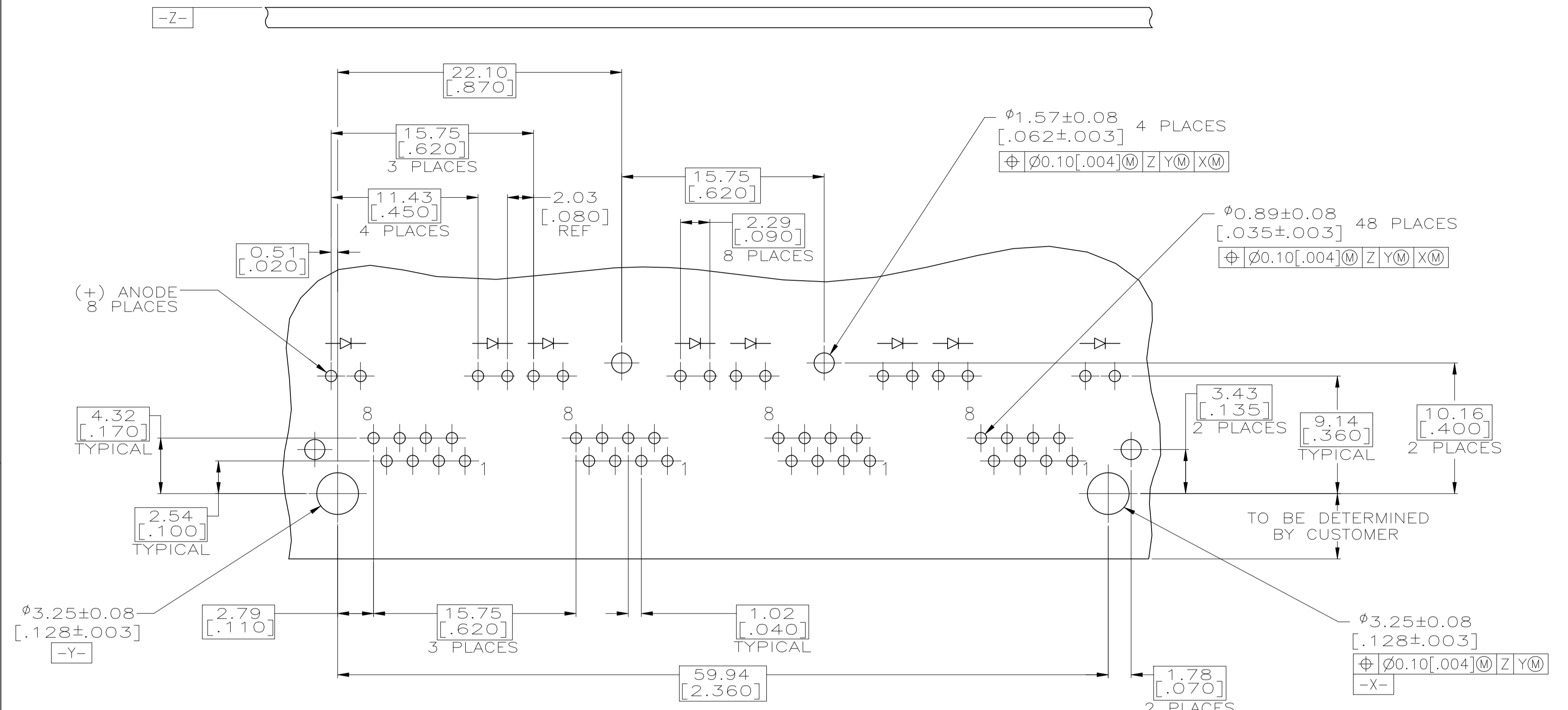
SIZE: A1

CAGE CODE: 00779

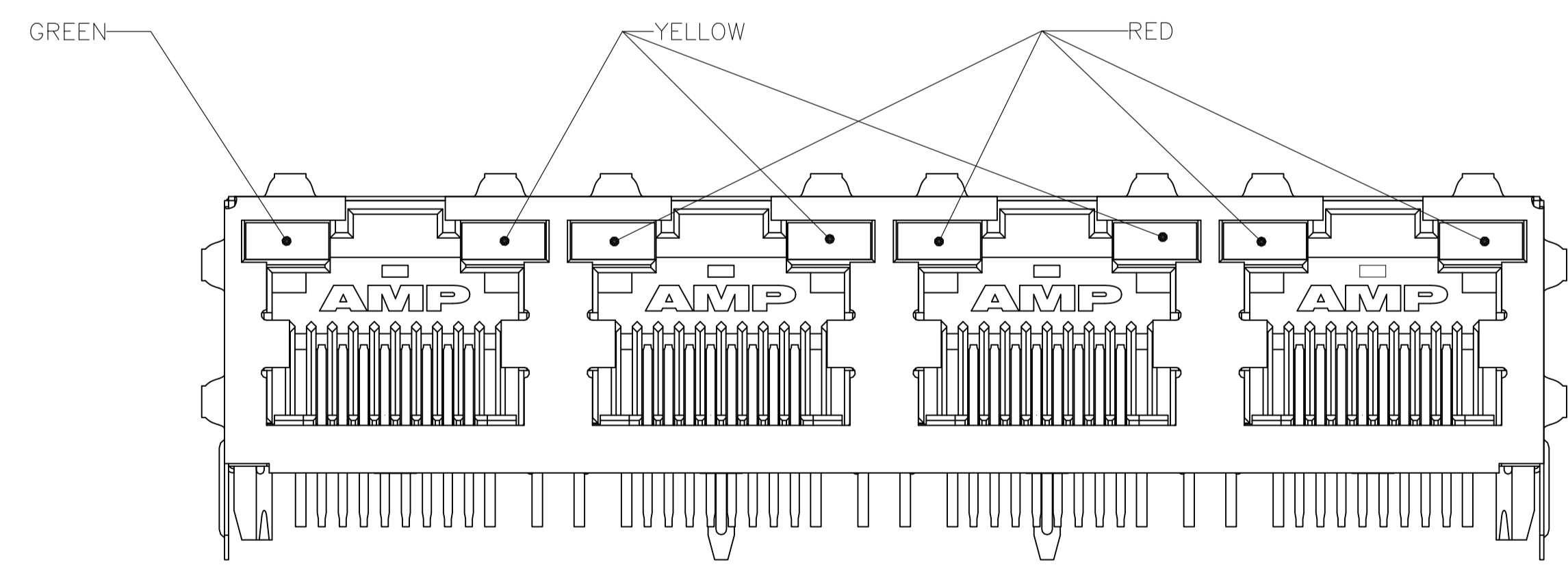
DRAWING NO: 5406552

CUSTOMER DRAWING

REVISIONS				
REV	DATE	BY	APP'D	DESCRIPTION
-	-	-	-	SEE SHEET 1



SUGGESTED PRINTED CIRCUIT BOARD LAYOUT
(COMPONENT SIDE)



VIEW A
(1-5406552-5 ONLY)

THIS DRAWING IS A CONTROLLED DOCUMENT.		DIN T. SPRINKLE/L.A. MAYER 10MAY2005 CHK J. WESTMAN 10MAY2005		TE Connectivity Ltd.	
DIMENSIONS: mm		TOLERANCES UNLESS OTHERWISE SPECIFIED:		APVD S. FLICKINGER 10MAY2005 NAME PRODUCT SPEC 108-1163-4 APPLICATION SPEC 114-2154	
0. PLC ± - 1. PLC ± - 2. PLC ± 0.25(.01) 3. PLC ± 0.13(.005) 4. PLC ± - ANGLES ± -		MATERIAL SEE NOTE 1 FINISH SEE NOTE 1		SIZE CAGE CODE DRAWING NO. RESTRICTED TO A1 00779 C=5406552 - WEIGHT - CUSTOMER DRAWING SCALE 4:1 SHEET 2 OF 2 REV G	

X-ON Electronics

Largest Supplier of Electrical and Electronic Components

Click to view similar products for [Modular Connectors / Ethernet Connectors](#) category:

Click to view products by [TE Connectivity](#) manufacturer:

Other Similar products are found below :

[8949-H88/06BLKA/SN](#) [74441-0010/BKN](#) [MP1010RX-1000](#) [MP44RX-1000](#) [PHJ-4P4C-1-V-4](#) [PHP-6P6C-5](#) [GAX-3-66](#) [GAX-8-62](#) [GDCX-PA-66-50](#) [GDCX-PN-64](#) [GDCX-PN-66](#) [GDCX-PN-66-50](#) [GDLX-A-66](#) [GDLX-N-66](#) [GDLX-S-66](#) [GDLX-S-88K](#) [GDLX-SMT-S-88](#) [GDTX-S-88-50](#) [GDX-PA-1010](#) [GLX-N-1010M-BLK](#) [GLX-S-88M-BLK](#) [GMX-N-1010](#) [GMX-S-1010](#) [GMX-S-66](#) [GMX-SMT4-N-88](#) [GPX-2-64](#) [GSGX-N-2-88](#) [GSGX-N-4-88](#) [GSX-NS2-88-3.05](#) [GSX-NS2-88-3.05-50](#) [GSX-NS-88-3.05-50](#) [PT-108A-8C-UL](#) [PT-J951-8C](#) [PTS-J531-8CS-50UL](#) [1-1775629-2](#) [A-2014-0-4](#) [GWLX-S-88-GR](#) [GWLX-S9-88-YG](#) [DC-1021-8-WH-6](#) [1300530003](#) [1324640-4](#) [RJ11FTVC2G](#) [RJ11FTVC2N](#) [RJFTVX2SA1G](#) [132764-001](#) [1413235](#) [MP88X-1000](#) [MPS88RX-5000](#) [E5288-S000K3-L](#) [E5908-15A242-L](#)