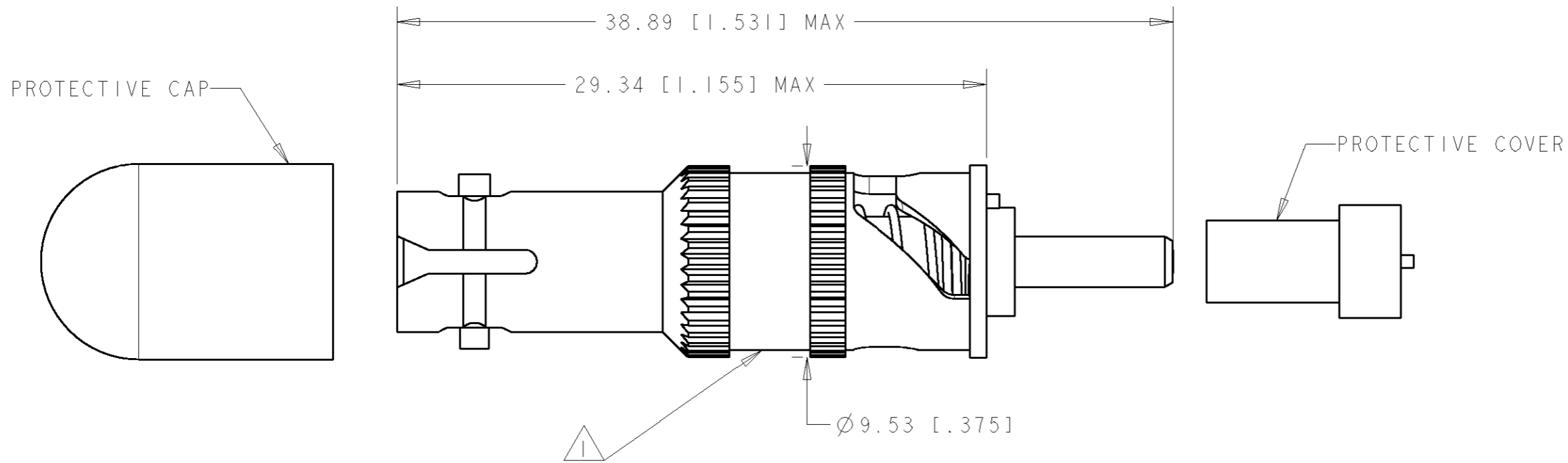


THIS DRAWING IS UNPUBLISHED. RELEASED FOR PUBLICATION 20
 © COPYRIGHT 20 BY TYCO ELECTRONICS CORPORATION. ALL RIGHTS RESERVED.

LOC	DIST	REVISIONS			
P	LTR	DESCRIPTION	DATE	DWN	APVD
CE	00	B	ECR-06-029231	23MAR2007	EJH SB



PERFORMANCE REQUIREMENTS:
 OPERATING WAVELENGTH : 1310/1550 ±25nm
 OPERATING TEMPERATURE : -40°C TO +75°C
 REFLECTANCE : ≤ -55dB
 ATTENUATION TOLERANCE, AMBIENT:
 FOR ATTENUATORS ≥ 5dB: ± 15% OF NOMINAL ATTENUATION VALUE
 FOR ATTENUATORS < 5dB: ±0.75dB
 MEASURED WITH REFERENCE QUALITY LAUNCH LEADS

20	2-5417549-0
15	1-5417549-5
12	1-5417549-2
10	1-5417549-0
6	5417549-6
5	5417549-5
4	5417549-4
3	5417549-3
2	5417549-2
1	5417549-1
NOMINAL ATTENUATION VALUE (dB)	PART NUMBER

△ TYCO LOGO, ATTENUATION VALUE, PART NUMBER, AND SERIAL NUMBER ARE PRINTED ON THE LABEL.

DIMENSIONS:		TOLERANCES UNLESS OTHERWISE SPECIFIED:		DWN		Tyco Electronics	
mm (inches)				E. HOPKINS		Tyco Electronics	
		0 PLC	±-	10JAN2005	tyco Electronics Harrisburg, PA 17105-3608		NAME
		1 PLC	±1.0	10JAN2005			
		2 PLC	±.38	10JAN2005			
		3 PLC	±-	10JAN2005			
		4 PLC	±-	APVD			ATTENUATOR, FOPC BOA ST/UPC DW SM
		ANGLES	±2	S. BUCHTER			
MATERIAL		FINISH		PRODUCT SPEC		SIZE	
				APPLICATION SPEC		CAGE CODE	
				WEIGHT		DRAWING NO	
				CUSTOMER DRAWING		A3 00779	
						C=5417549	
						RESTRICTED TO	
						SCALE 4:1	
						SHEET 1 OF 1	
						REV B	

X-ON Electronics

Largest Supplier of Electrical and Electronic Components

Click to view similar products for [Fiber Optic Connectors](#) category:

Click to view products by [TE Connectivity](#) manufacturer:

Other Similar products are found below :

[0004700001](#) [6100-R](#) [6313](#) [F709034706](#) [F709722200](#) [F718183204](#) [F727403500](#) [F727752800](#) [FCXO-12-3BY](#) [FO-SCREW\(M2X6\)](#) [9440F20-27S-190](#) [944-120-6001](#) [944-125-6003](#) [9441F10SL-3S](#) [9446F10SL-4S](#) [953-101-5310-P](#) [954-101-57202B](#) [A0270169](#) [12-9122](#) [12-5702](#) [143025NC](#) [AX101713](#) [AX102420](#) [AX103923](#) [AX104141](#) [AX104193](#) [AX104228](#) [AX104230](#) [AX104562](#) [AX105203-B25](#) [AX105205-S1](#) [EHSC2M](#) [17-300800](#) [181-011-126](#) [BT34IW](#) [HRFCP-HSCJ-1\(61\)](#) [HRFC-R2\(40\)](#) [NKSOPBUY](#) [20500002116](#) [2064996-1](#) [20800001065](#) [2170](#) [9132](#) [2612](#) [2620](#) [9291](#) [9440F18-19S](#) [9440F20-14P](#) [9440F20-14PW](#) [9440W18-1S](#)