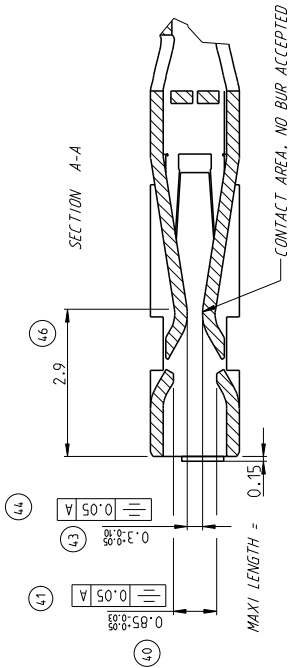
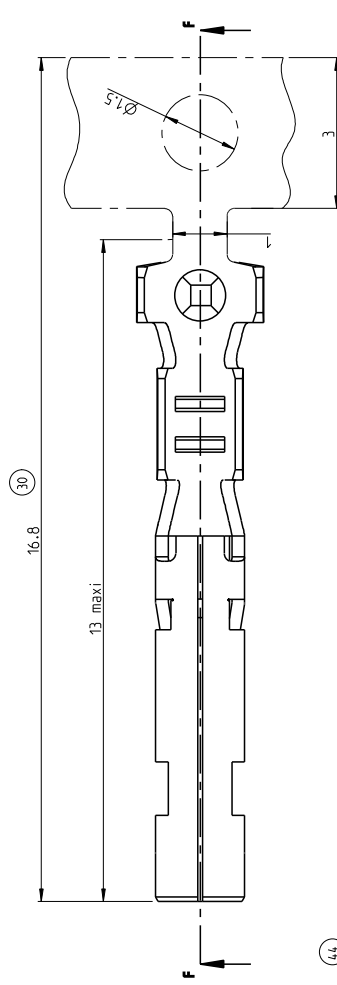
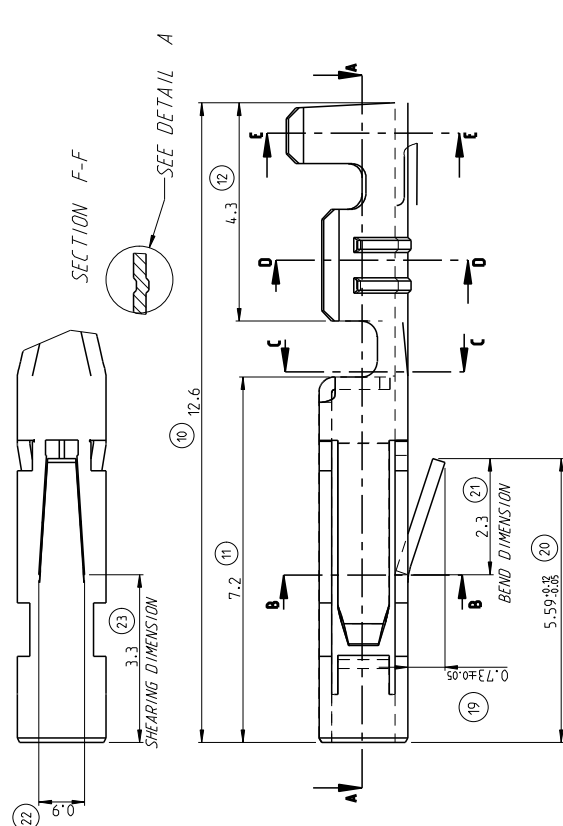
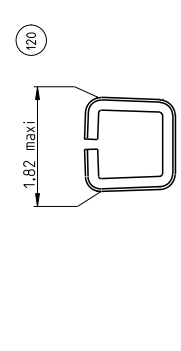
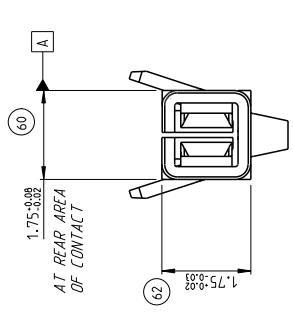
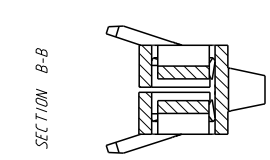
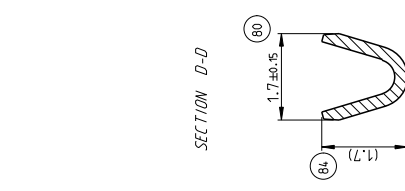
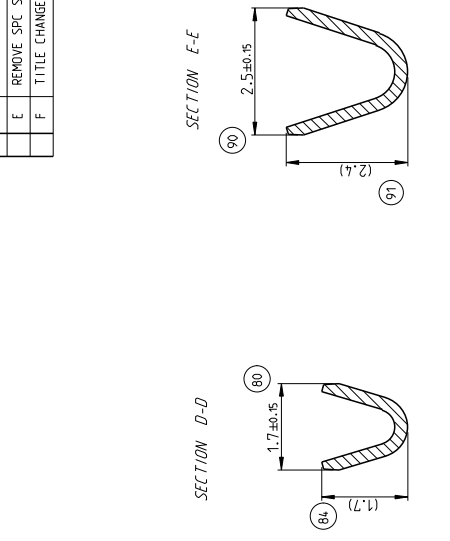


REV	DATE	BY	CHKD	DESCRIPTION
D	02JUN2000	PF5	JD*	TE FORMAT DRAWING. ADD PACKAGING NO
D	02JUN2000	PF5	JD*	HEAT TREATMENT CLARIFICATION 1 103J
E	23SEP2000	CP0	JD*	REMOVE SPC SPECIFICATION
F	09FEB2001	CP0	JD*	TITLE CHANGE



NOTA	NOTES
1 (X) = POUR INFORMATION	1 (X) = FOR INFORMATION
2 CONDITIONNEMENT : VOIR SPECIFICATION 107-15650	2 PACKAGING : SEE SPECIFICATION 107-15650

CRIMPING PARAMETERS

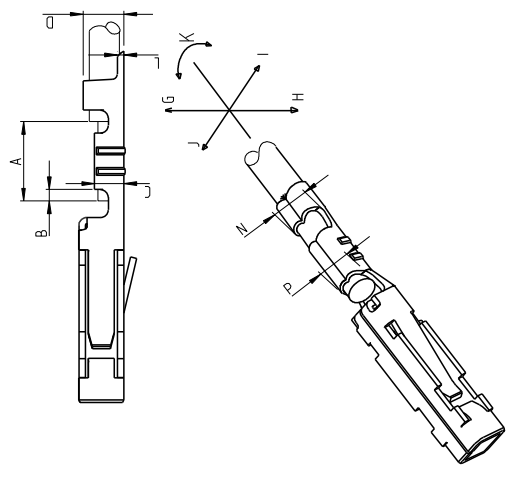
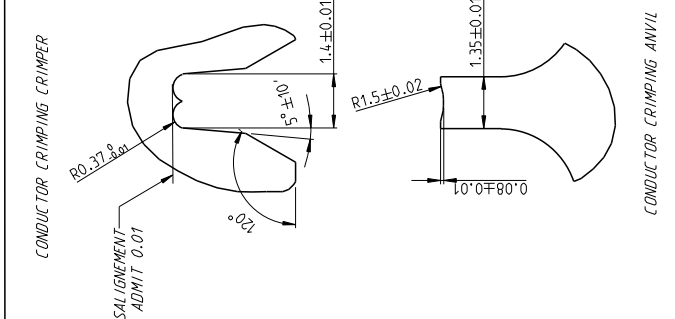
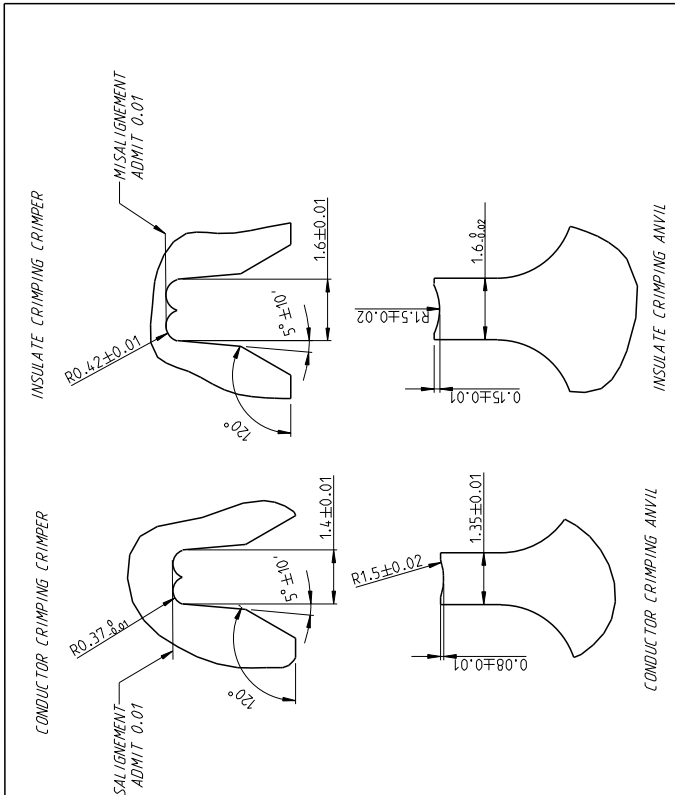
CRIMPING FOR AWG WIRE: 22-24/26-28

1) CRIMPING CHARACTERISTIC ON APPLICATOR

CHECK POINT:	VALUE	REPERE
UP BENDING	1 max	G
DOWN BENDING	1 max	H
TWIST	5 max	K
RIGHT/LEFT BENDING	30 max	I-J
TRIPPING LENGTH	3 max	A
WIRE EXCESS	4±0.2	B

2) CRIMPING VALUE SUPPLIE CONDUCTORS ACCORDING STANDARD IEC 93520:

WIRE SECTION	INSULATE CRIMPING	CONDUCTOR CRIMPING	TRACTION RESISTANCE (gBN)
mm ²	AWG	HIGHT D	WIDTH P
0.08	28	0.77±0.02	>12
0.12	26	0.8±0.02	>18
0.22	24	0.86±0.02	>3.3
0.34	22	0.93±0.03	>5.1



REV	DATE	BY	CHKD	DESCRIPTION
02JUN2000	02JUN2000	PF5	JD*	TE Format Drawng. Add Packaging No
02JUN2000	02JUN2000	PF5	JD*	Heat Treatment Clarification 1 103J
23SEP2000	23SEP2000	CP0	JD*	Remove SPC Specification
09FEB2001	09FEB2001	CP0	JD*	Title Change

TYCO Electronics PN	CUSTOMER PN
1544110-1	CUSTOMER PN

REV	DATE	BY	CHKD	DESCRIPTION
02JUN2000	02JUN2000	PF5	JD*	TE Electronics France SAS
02JUN2000	02JUN2000	PF5	JD*	571, Ave de la Boisse 73000 Chambéry
02JUN2000	02JUN2000	PF5	JD*	CONTACT A SERTIR 0.64mm
02JUN2000	02JUN2000	PF5	JD*	0.64mm RECEPTACLE TERMINAL

X-ON Electronics

Largest Supplier of Electrical and Electronic Components

Click to view similar products for [Automotive Connectors](#) category:

Click to view products by [TE Connectivity](#) manufacturer:

Other Similar products are found below :

[003-018-000](#) [600858](#) [60403001](#) [60993906-B](#) [60993913-B](#) [629515004020001](#) [M902-2131](#) [M902-2161](#) [M902-2344](#) [72.330.1035.1](#)
[73.353.4028.0](#) [F118010](#) [F119300-B](#) [F132210](#) [F132210-B](#) [F166900](#) [F180100](#) [F258300](#) [F258300-B](#) [F294300-B](#) [F339100](#) [F339700](#) [F358300-](#)
[B](#) [F374110](#) [F407400](#) [F412210](#) [F427600](#) [F444110](#) [F487000](#) [F495100-B](#) [F500900-B](#) [F509500B-B](#) [770444-1](#) [776880-1](#) [827153-1](#) [881735-1](#)
[8N1515-32-24P](#) [9-1326727-8](#) [9-1326729-8](#) [925467-1](#) [925474-1](#) [928905-1](#) [936398-2](#) [964562-1](#) [964562-4](#) [964731-2](#) [965051-1](#) [968782-1](#)
[GT17SA-8DS-HU](#) [GT17VS-10DP-5.2CF](#)