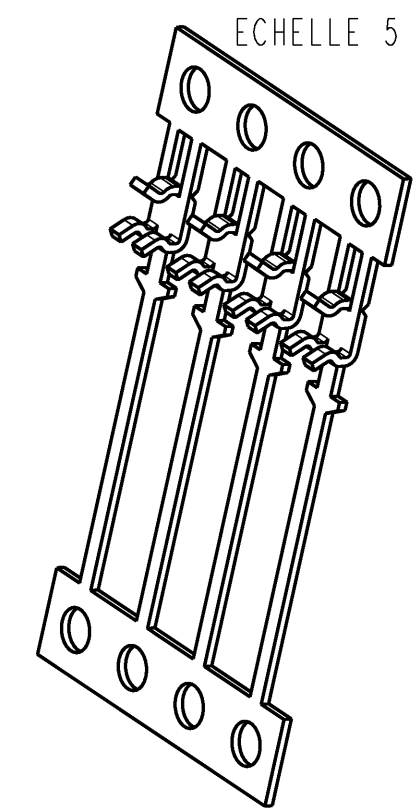
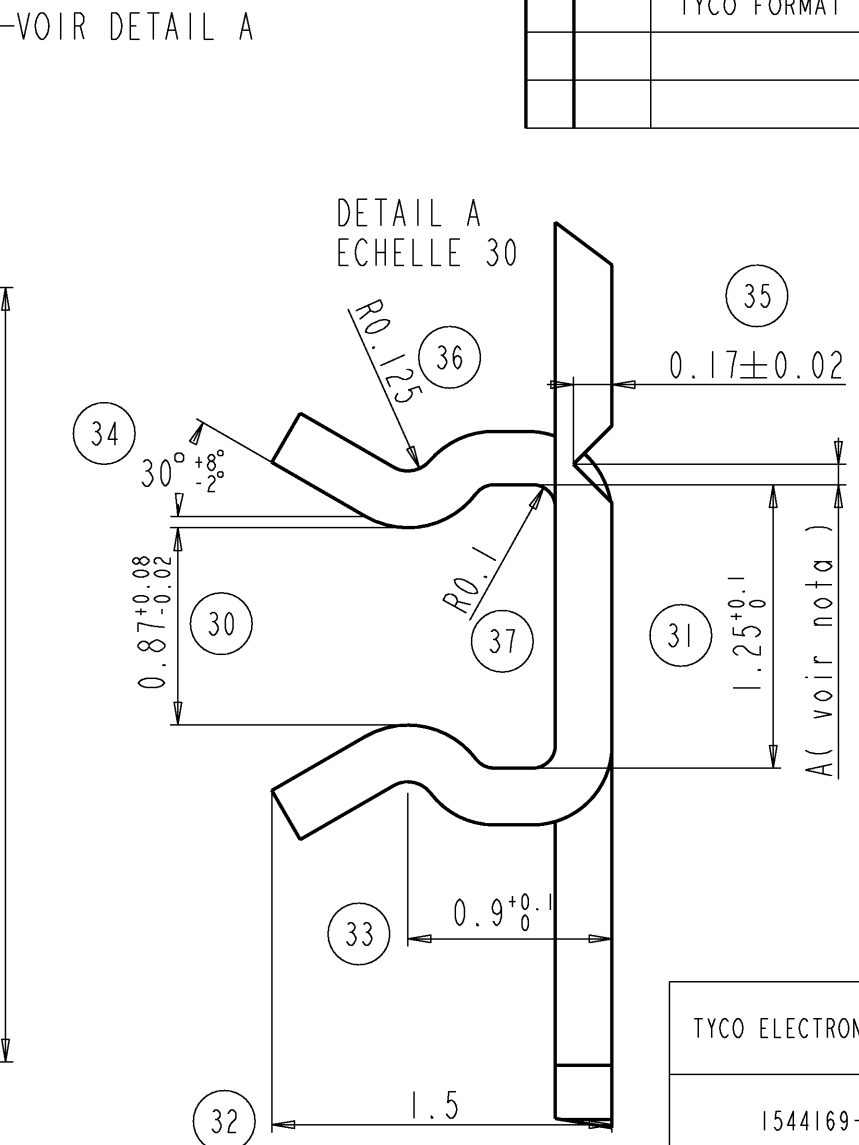
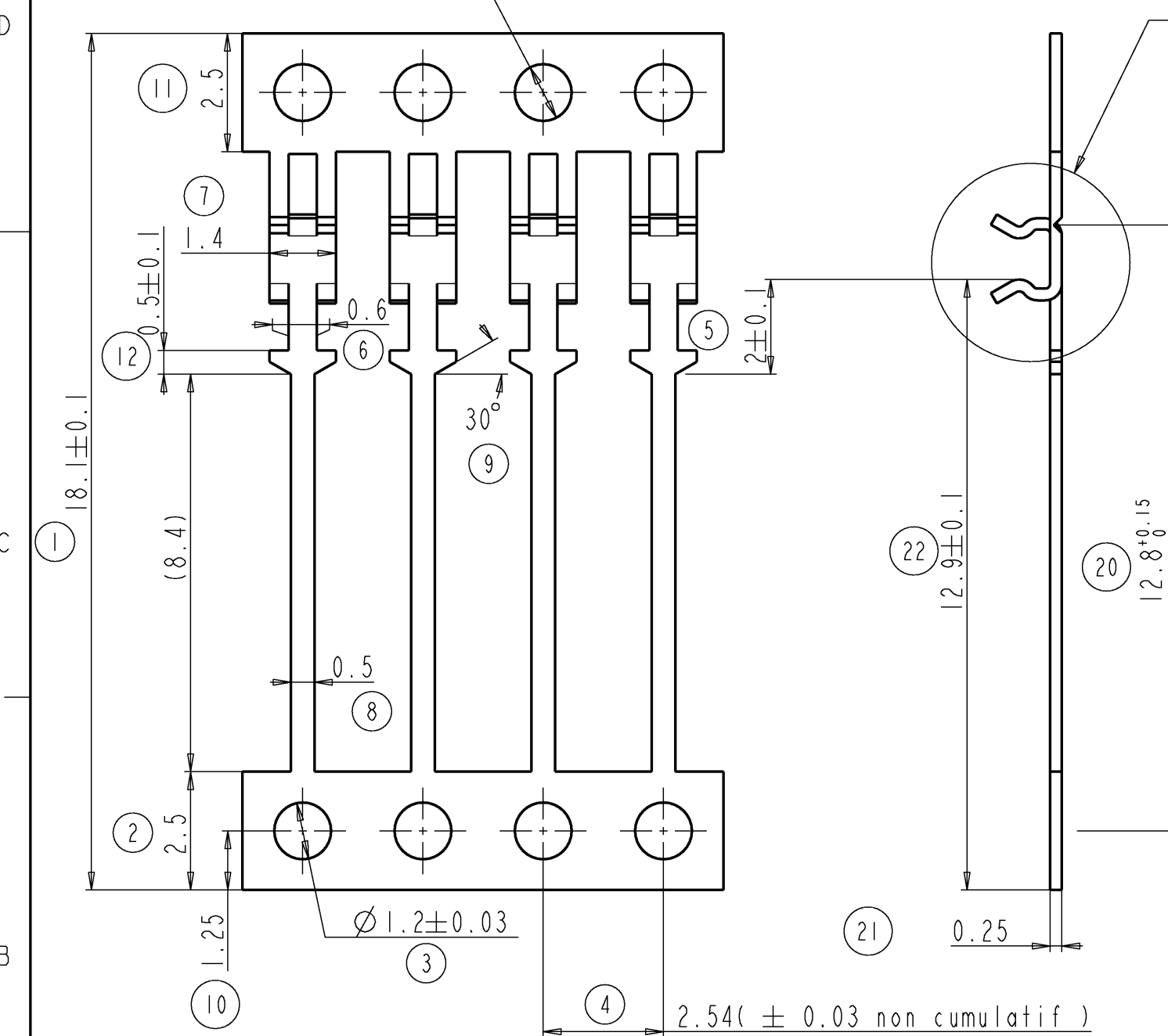


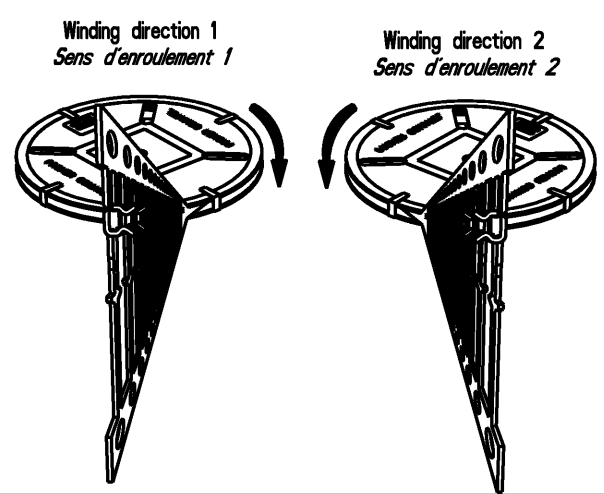
THIS DRAWING IS UNPUBLISHED. RELEASED FOR PUBLICATION 2008
 © COPYRIGHT 2008 BY TYCO ELECTRONICS CORPORATION. ALL RIGHTS RESERVED.

LOC	DIST	REVISIONS			
P	LTR	DESCRIPTION	DATE	DWN	APVD
F	00	F	DRAFTING DETAIL UPDATE	02DEC2008	LCi JD r
			TYCO FORMAT COMPLIANCE		



TYCO ELECTRONICS PN	PLATING	WINDING DIRECTION
1544169-1	BEFORE STAMPING Sn : 112-16-4 (3 à 7µ)	1
1544169-2	AFTER STAMPING Ni : 112-25-3 (1.27 à 3µ) Sn : 112-65-1 (3 à 5 µ)	1
1544169-3	BEFORE STAMPING Sn : 112-16-4 (3 à 7µ)	2
1544169-4	AFTER STAMPING Ni : 112-25-3 (1.27 à 3µ) Sn : 112-65-1 (3 à 5 µ)	2

Nota : A, dans tous les cas, l'axe de l'amorce de casse doit être extérieur au fond de pince
 - Volume par contact : 5.32 mm³



<small>THIS DRAWING IS A CONTROLLED DOCUMENT FOR TYCO ELECTRONICS CORPORATION IT IS SUBJECT TO CHANGE AND THE CONTROLLING ENGINEERING ORGANIZATION SHOULD BE CONTACTED FOR THE LATEST REVISION.</small>		DWN L. CORONELLI 02DEC2008 CHK P. FLORES 02DEC2008 APVD J. DAHER 02DEC2008		Tyco Electronics France SAS RN 90, 38530 Chapareillan																			
DIMENSIONS: mm 		TOLERANCES UNLESS OTHERWISE SPECIFIED: <table border="1"> <tr><td>PLC</td><td>±</td></tr> <tr><td>PVC</td><td>±</td></tr> <tr><td>PLC</td><td>±0.05</td></tr> <tr><td>PVC</td><td>±</td></tr> <tr><td>PLC</td><td>±</td></tr> <tr><td>PVC</td><td>±</td></tr> <tr><td>ANGLES</td><td>±3°</td></tr> <tr><td>FINISH</td><td>-</td></tr> </table>		PLC	±	PVC	±	PLC	±0.05	PVC	±	PLC	±	PVC	±	ANGLES	±3°	FINISH	-	PRODUCT SPEC - APPLICATION SPEC - WEIGHT -		NAME CONTACT A SOUDER DIL	
PLC	±																						
PVC	±																						
PLC	±0.05																						
PVC	±																						
PLC	±																						
PVC	±																						
ANGLES	±3°																						
FINISH	-																						
MATERIAL CuSn6P		CUSTOMER DRAWING		SIZE A3	CAGE CODE 00779																		
		DRAWING NO C-1544169		RESTRICTED TO -																			
		SCALE 4.000		SHEET 1 OF 1 REV F																			

X-ON Electronics

Largest Supplier of Electrical and Electronic Components

Click to view similar products for [Automotive Connectors](#) category:

Click to view products by [TE Connectivity](#) manufacturer:

Other Similar products are found below :

[003-018-000](#) [600858](#) [60403001](#) [60993906-B](#) [60993913-B](#) [629515004020001](#) [M902-2131](#) [M902-2161](#) [M902-2344](#) [72.330.1035.1](#)
[73.353.4028.0](#) [F118010](#) [F119300-B](#) [F132210](#) [F132210-B](#) [F166900](#) [F180100](#) [F258300](#) [F258300-B](#) [F294300-B](#) [F339100](#) [F339700](#) [F358300-](#)
[B](#) [F374110](#) [F407400](#) [F412210](#) [F427600](#) [F444110](#) [F487000](#) [F495100-B](#) [F500900-B](#) [F509500B-B](#) [770444-1](#) [776880-1](#) [827153-1](#) [881735-1](#)
[8N1515-32-24P](#) [9-1326727-8](#) [9-1326729-8](#) [925467-1](#) [925474-1](#) [928905-1](#) [936398-2](#) [964562-1](#) [964562-4](#) [964731-2](#) [965051-1](#) [968782-1](#)
[GT17SA-8DS-HU](#) [GT17VS-10DP-5.2CF](#)