

4

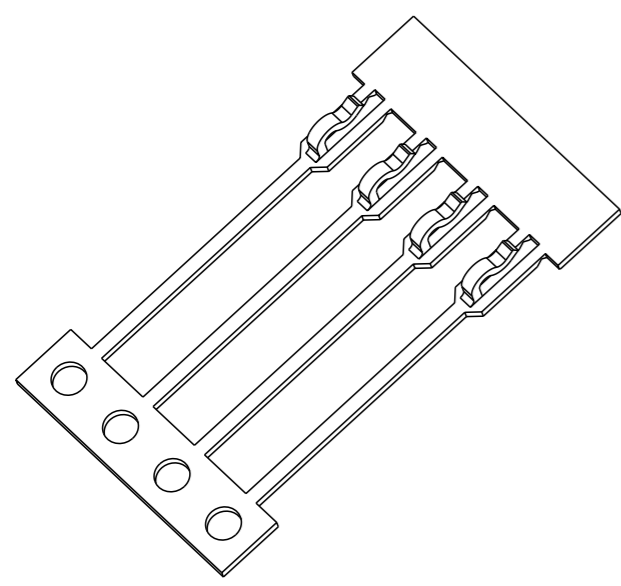
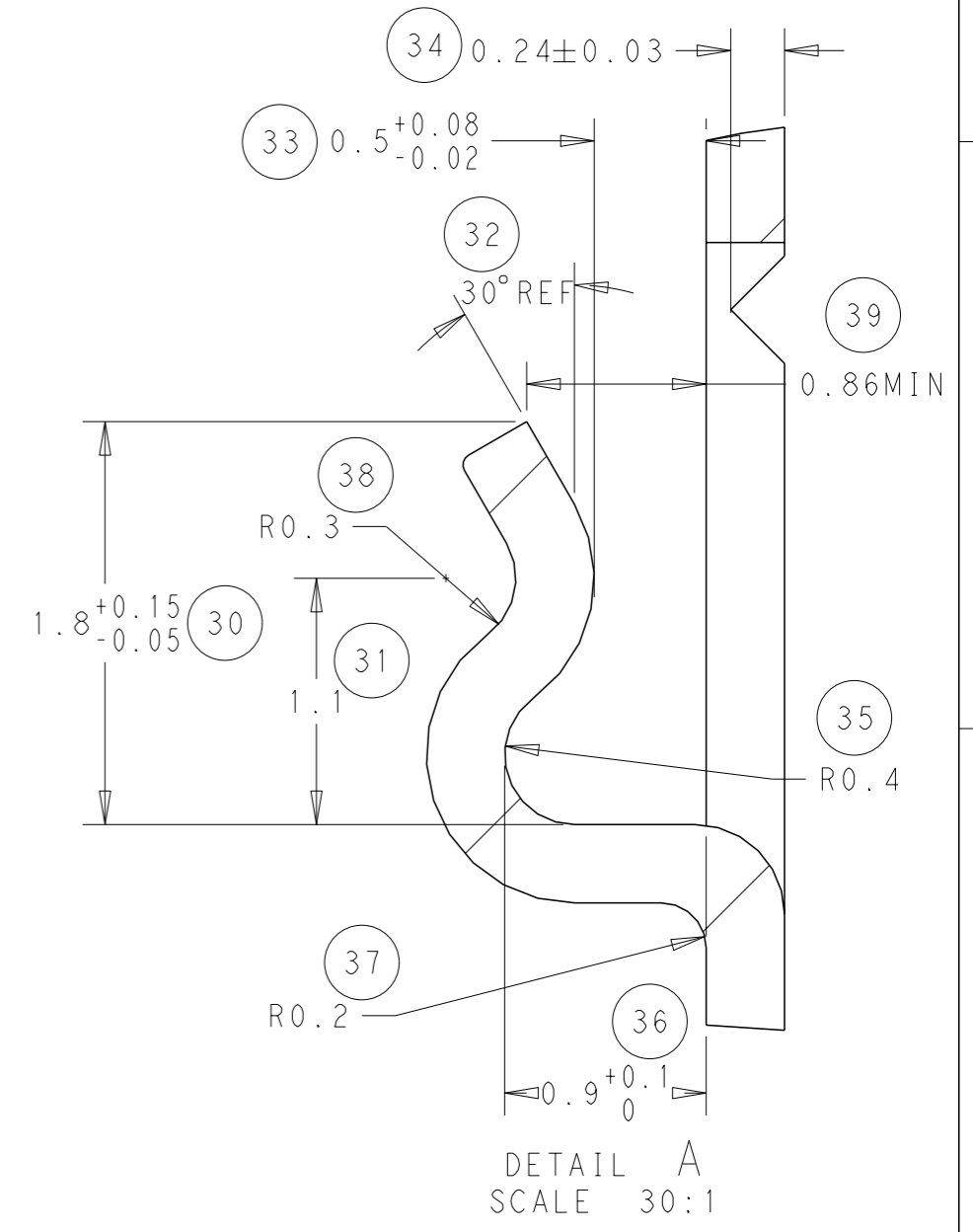
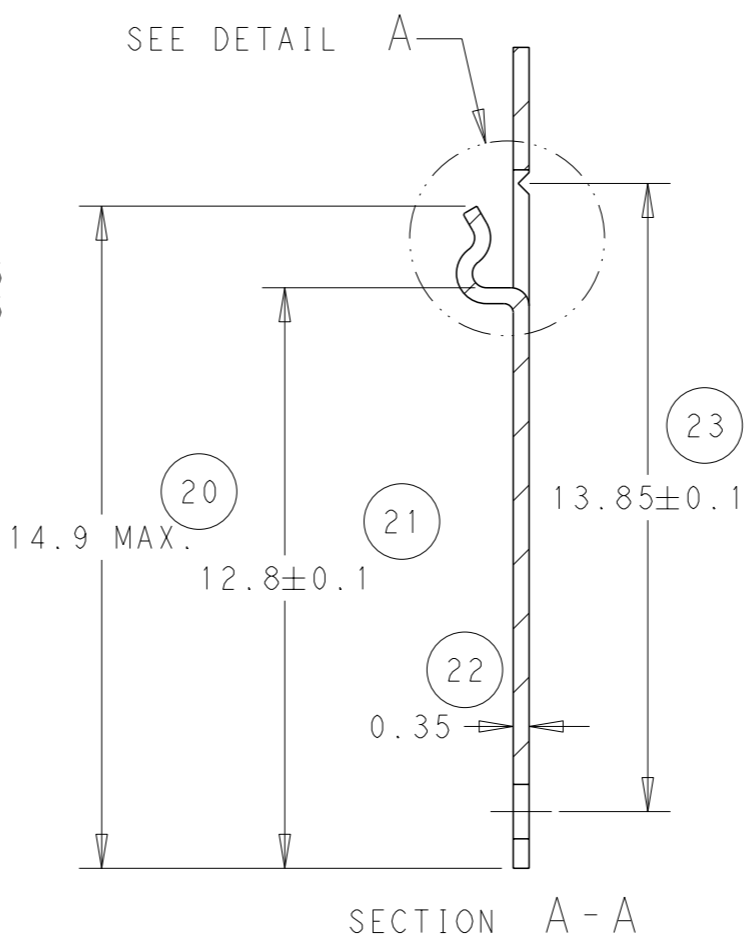
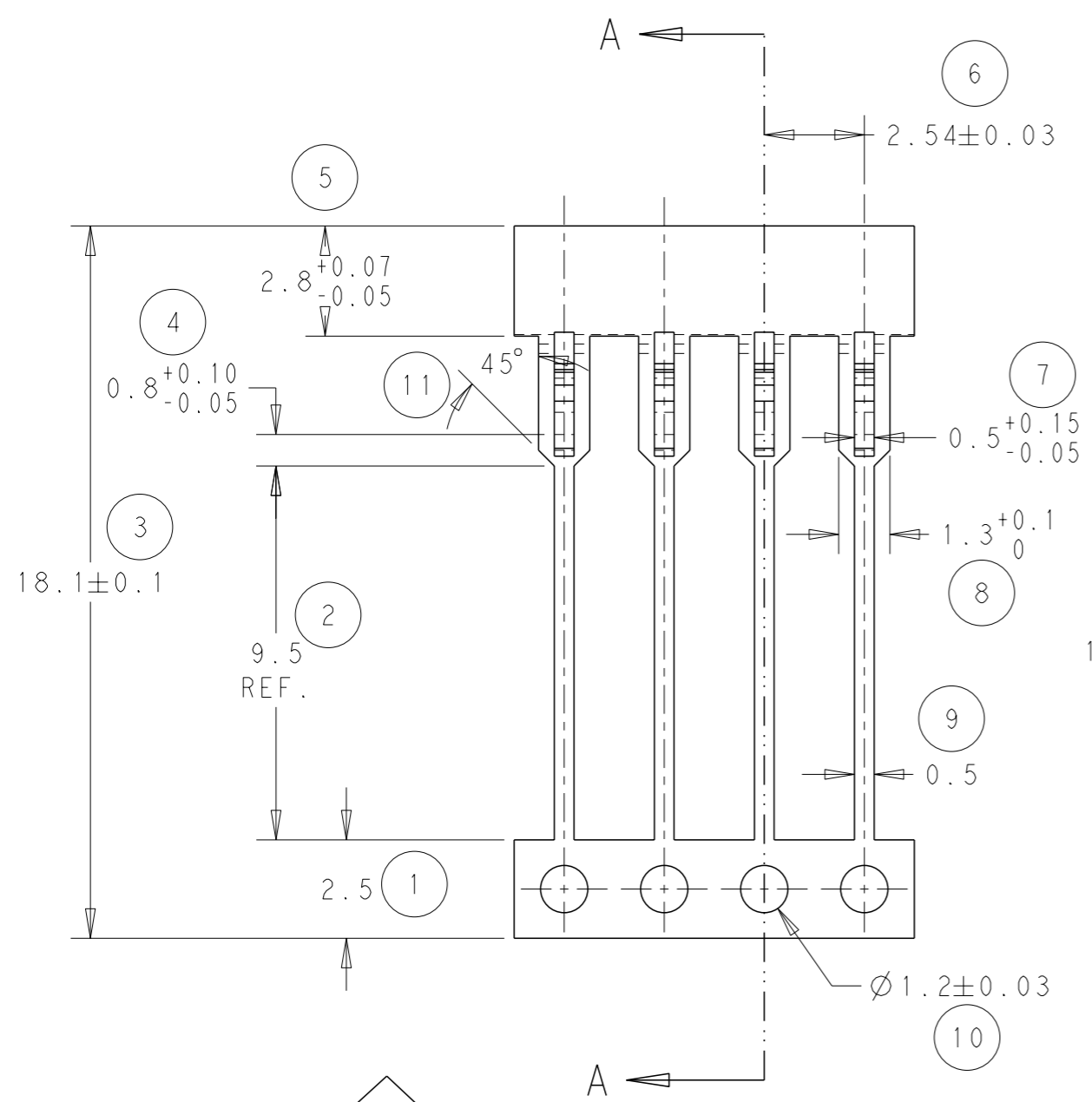
3

2

1

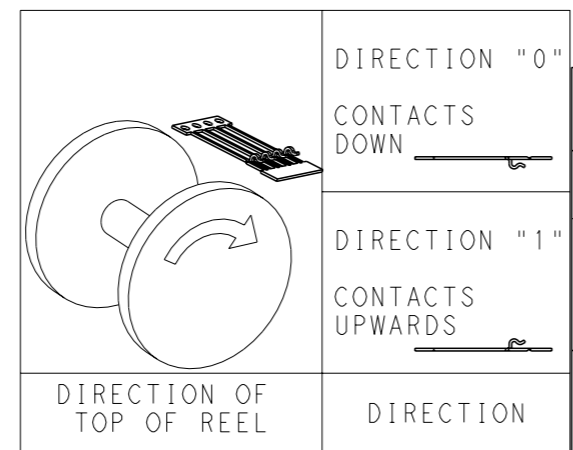
THIS DRAWING IS UNPUBLISHED. RELEASED FOR PUBLICATION 2011
 © COPYRIGHT 2011 TE CONNECTIVITY ALL RIGHTS RESERVED.

| LOC | DIST | REVISIONS | | | | |
|-----|------|-------------|---------------|----------|------|----|
| P | LTR | DESCRIPTION | DATE | DWN | APVD | |
| B | - | F | ECR-11-015005 | 19/07/11 | JB | MG |
| | | G | ECR-11-019621 | 06/10/11 | MJG | JB |



SCALE 4:1

NOTE
 BOWING: AFTER UPPER TIE BAR REMOVAL - 1.5mm MAX. FOR 500mm
 PITCH: AFTER UPPER TIE BAR REMOVAL - 2.54 ± 0.127



THIS DRAWING IS A CONTROLLED DOCUMENT.

| | |
|-------------|--|
| DIMENSIONS: | TOLERANCES UNLESS OTHERWISE SPECIFIED: |
| mm | 0 PLC ±- |
| | 1 PLC ±- |
| | 2 PLC ±0.05 |
| | 3 PLC ±- |
| | 4 PLC ±- |
| | ANGLES ±0.5 |
| MATERIAL | FINISH - |
| SEE ABOVE | |

| | | |
|-----------------------------|---|--------------------|
| 0 | Ni & Sn | 1544188-1 |
| REELING | FINISH | PART NUMBER |
| DWN J. BRIGHT 15/07/11 | TE Connectivity NAME: SIL CONTACT - - | |
| CHK M. GREENER 15/07/11 | | |
| APVD D. PENNINGTON 15/07/11 | | |
| PRODUCT SPEC | | |
| APPLICATION SPEC | SIZE A3 | CAGE CODE 00779 |
| WEIGHT - | DRAWING NO C-1544188 | RESTRICTED TO - |
| CUSTOMER DRAWING | SCALE NTS | SHEET 1 OF 1 REV G |

X-ON Electronics

Largest Supplier of Electrical and Electronic Components

Click to view similar products for [Modular Connectors / Ethernet Connectors](#) category:

Click to view products by [TE Connectivity](#) manufacturer:

Other Similar products are found below :

[8949-H88/06BLKA/SN](#) [74441-0010/BKN](#) [MP1010RX-1000](#) [MP44RX-1000](#) [PHJ-4P4C-1-V-4](#) [PHP-6P6C-5](#) [GAX-3-66](#) [GAX-8-62](#) [GDCX-PA-66-50](#) [GDCX-PN-64](#) [GDCX-PN-66](#) [GDCX-PN-66-50](#) [GDLX-A-66](#) [GDLX-N-66](#) [GDLX-S-66](#) [GDLX-S-88K](#) [GDTX-S-88-50](#) [GDX-PA-1010](#) [GLX-N-1010M-BLK](#) [GLX-S-88M-BLK](#) [GMX-N-1010](#) [GMX-S-1010](#) [GMX-S-66](#) [GMX-SMT4-N-88](#) [GPX-2-64](#) [GSGX-N-2-88](#) [GSGX-N-4-88](#) [GSX-NS2-88-3.05](#) [GSX-NS2-88-3.05-50](#) [GSX-NS-88-3.05-50](#) [PT-108A-8C-UL](#) [PT-J951-8C](#) [PTS-J531-8CS-50UL](#) [1-1775629-2](#) [A-2014-0-4](#) [GWLX-S-88-GR](#) [GWLX-S9-88-YG](#) [DC-1021-8-WH-6](#) [1300530003](#) [1324640-4](#) [RJ11FTVC2G](#) [RJ11FTVC2N](#) [RJFTVX2SA1G](#) [132764-001](#) [1413235](#) [MP88X-1000](#) [MPS88RX-5000](#) [E5288-S000K3-L](#) [E5908-15A242-L](#) [155302-001](#)