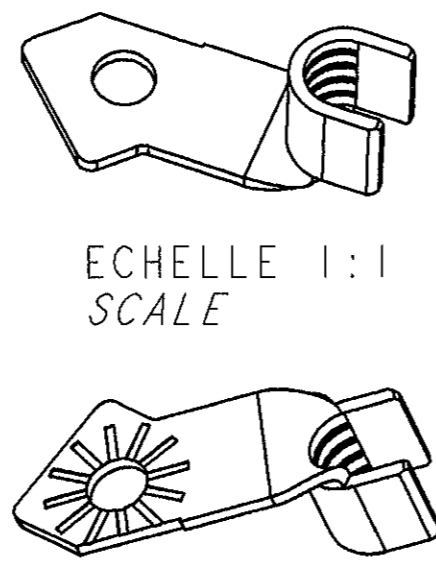
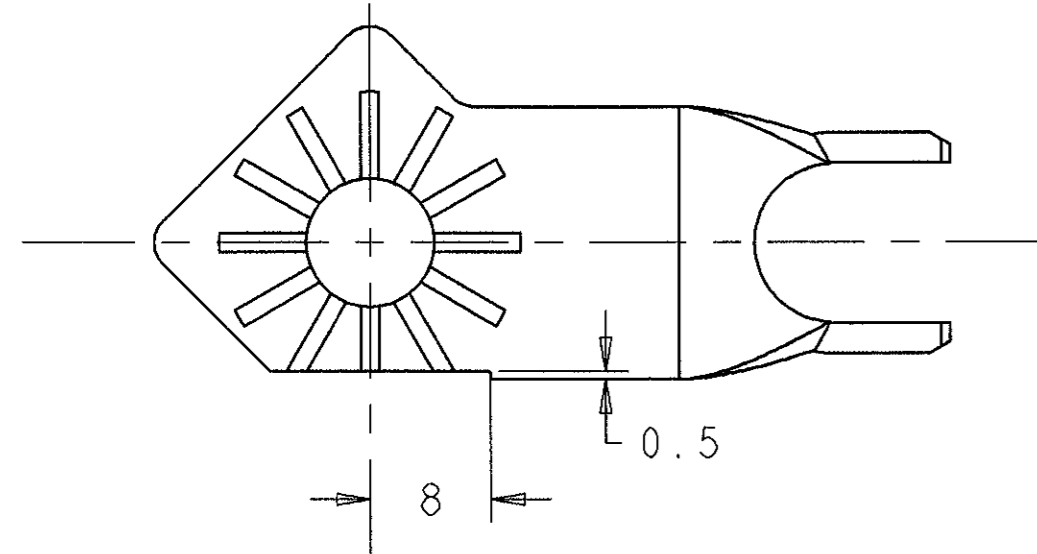
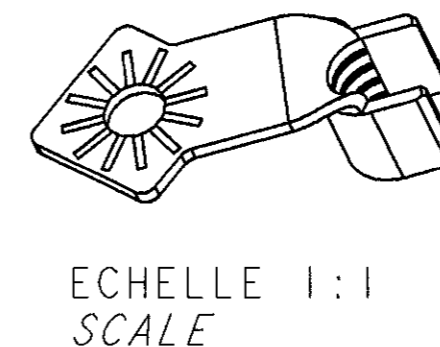
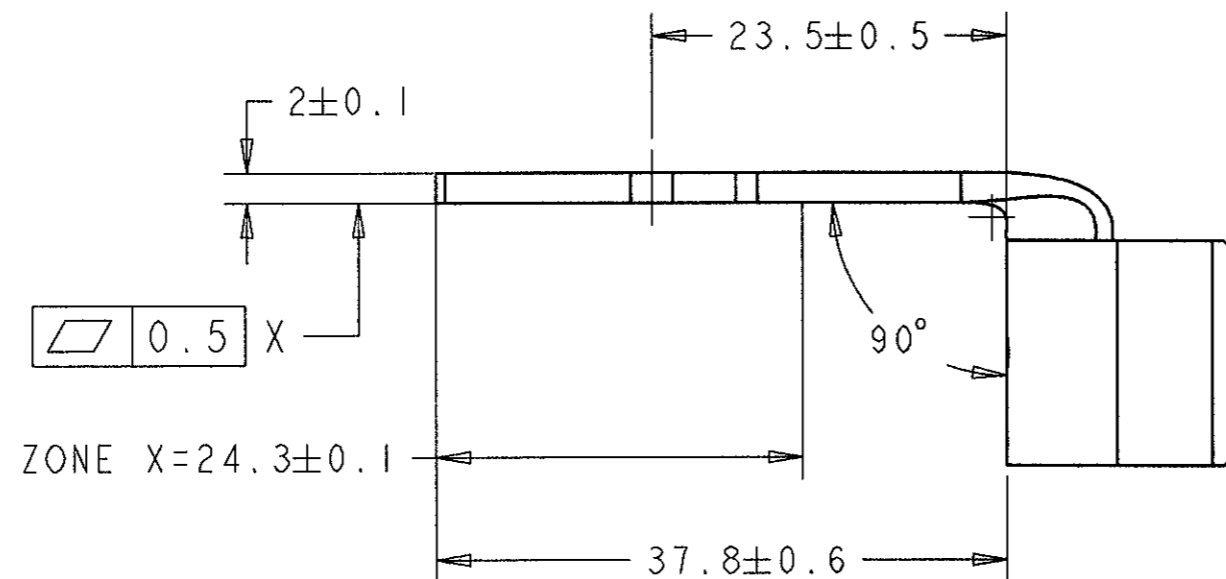
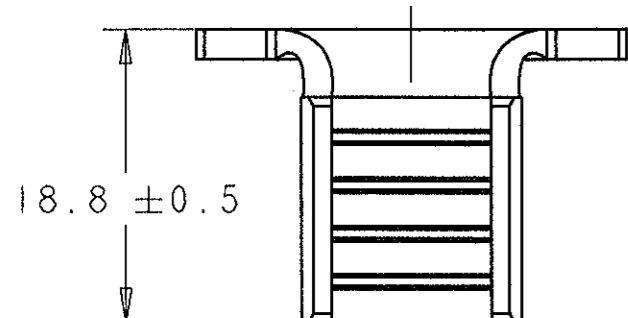


P	LTR	DESCRIPTION MODIFICATIONS	DATE	DWN DESS.	APVD APP.
C		New version, add application spec. No, dimensions updated	09 JUL 04	PFs	JDr

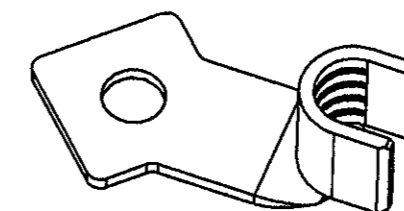


ECHELLE 1:1
SCALE

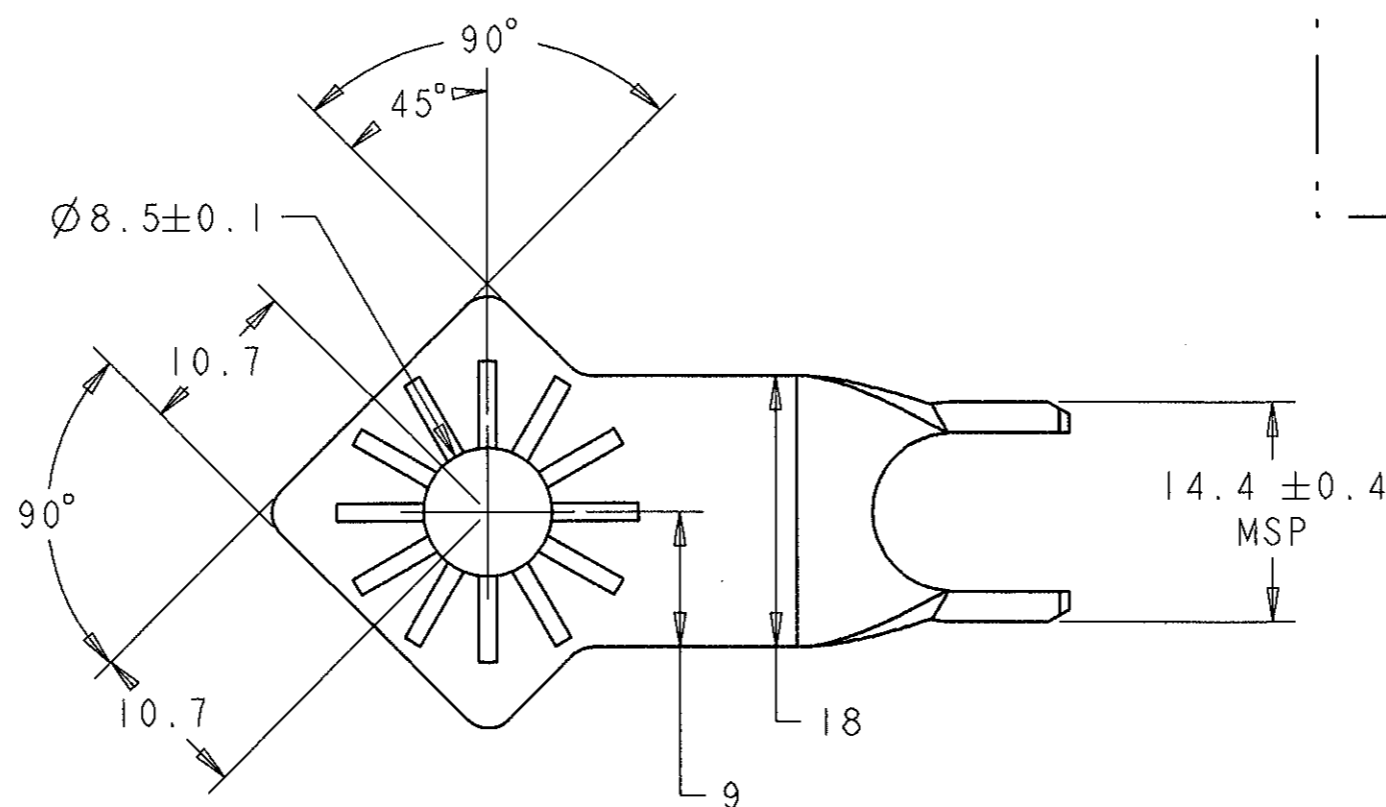
REFERENCE PART NUMBER	REFERENCE CLIENT CUSTOMER PART NUMBER	MATIERE MATERIAL	TRAITEMENT TREATMENT	PROTECTION PROTECTION
1544204-3		CuZn33	Recuit Tempering	Brut Raw
1544204-4		CuZn33	Recuit Tempering	Post étamée / Post tinned Cu: 112-300-2 : 1umini Sn: 112-16-2 : 4 & 8µ



ECHELLE 1:1
SCALE



CONDITIONNEMENT PACKAGING			
N° DU CARTON GALIA BOX NUMBER	VRAC LOOSE	NBS DE PIECES CARTON NUMBER OF PARTS INSIDE BOX	POIDS DU CARTON BOX WEIGHT
15	OUI YES	600	12.5 Kg



NOTA :

- MSP = Cote suivie en MSP
- (...) = Pour information

NOTE :

- MSP = Manufacturing Control Dimension
- (...) = For information

REFERENCE PART NUMBER	REFERENCE CLIENT CUSTOMER PART NUMBER	MATIERE MATERIAL	TRAITEMENT TREATMENT	PROTECTION PROTECTION
1544204-2		CuZn33	Recuit Tempering	Brut Raw
1544204-1		CuZn33	Recuit Tempering	Post étamée / Post tinned Cu: 112-300-2 : 1umini Sn: 112-16-2 : 4 & 8µ

THIS DRAWING IS A CONTROLLED DOCUMENT FOR TYCO ELECTRONICS CORPORATION...
 CE PLAN EST UN DOCUMENT CONTRÔLÉ PAR AMP INCORPORATED...
 IL EST SUSCEPTIBLE D'ÊTRE RÉVISÉ. CONTACTER LE SERVICE TECHNIQUE D'AMP DE FRANCE POUR OBTENIR LA DERNIÈRE RÉVISION.

DWN/DESSINE P. FLORES 09 Jul 04	Tyco Electronics France SAS RN 90, 38530 Chapareillan
CHK/VERIFIE T. GUIMIER 09 Jul 04	
APVD/APROUVE J. DAHER 09 Jul 04	NAME / TITRE COSSE COUDEE 90° EPAISSEUR 2mm 90° RING TERMINAL, THICKNESS 2mm
DIMENSIONS: mm TOLERANCES UNLESS OTHERWISE SPECIFIED: (SUIV. NB DE DECIMALES) 1 PLC/DEC: ± 2 PLC/DEC: ±0.2 3 PLC/DEC: ± 4 PLC/DEC: ± ANGLES: ±5°	APPLICATION SPEC SPEC. APPLICATION 1544594 WEIGHT / MASSE APPROX. to 18.5gr FINITION SEE TABLES
MATERIAL MATIERE SEE TABLES	SIZE FORMAT A2 CAGE CODE 00779 DRAWING NO / No PLAN 1544204 RESTRICTED TO RESERVE A
CUSTOMER DRAWING / PLAN CLIENT UNIQUEMENT POUR REFERENCE SCALE / ECHELLE 2:1 SHEET / FEUILLE 2 OF 1 REV C	

X-ON Electronics

Largest Supplier of Electrical and Electronic Components

Click to view similar products for [Automotive Connectors](#) category:

Click to view products by [TE Connectivity](#) manufacturer:

Other Similar products are found below :

[003-018-000](#) [60993906-B](#) [72.330.1035.1](#) [776880-1](#) [827153-1](#) [9-1326729-8](#) [9-221607-5](#) [925474-1](#) [928905-1](#) [964562-4](#) [968782-1](#) [98891-1012](#) [12004468](#) [12004475-L](#) [12004483](#) [12052466](#) [12066163](#) [12015909](#) [12077753](#) [1-21030-1](#) [12047957](#) [12047958](#) [12084688](#) [12185550](#) [12336-12](#) [1-326211-1](#) [13681974](#) [13688972](#) [13755420](#) [13779834](#) [13783086](#) [13843152](#) [13522378](#) [13581967](#) [13669624](#) [13675513](#) [13753471](#) [13946876](#) [13953457](#) [13955963](#) [13964573](#) [13971791](#) [13790534-L](#) [13797473](#) [13805590](#) [13888202](#) [1428188-1](#) [1437287-3](#) [1428188-2](#) [DS07-19S-5020](#)