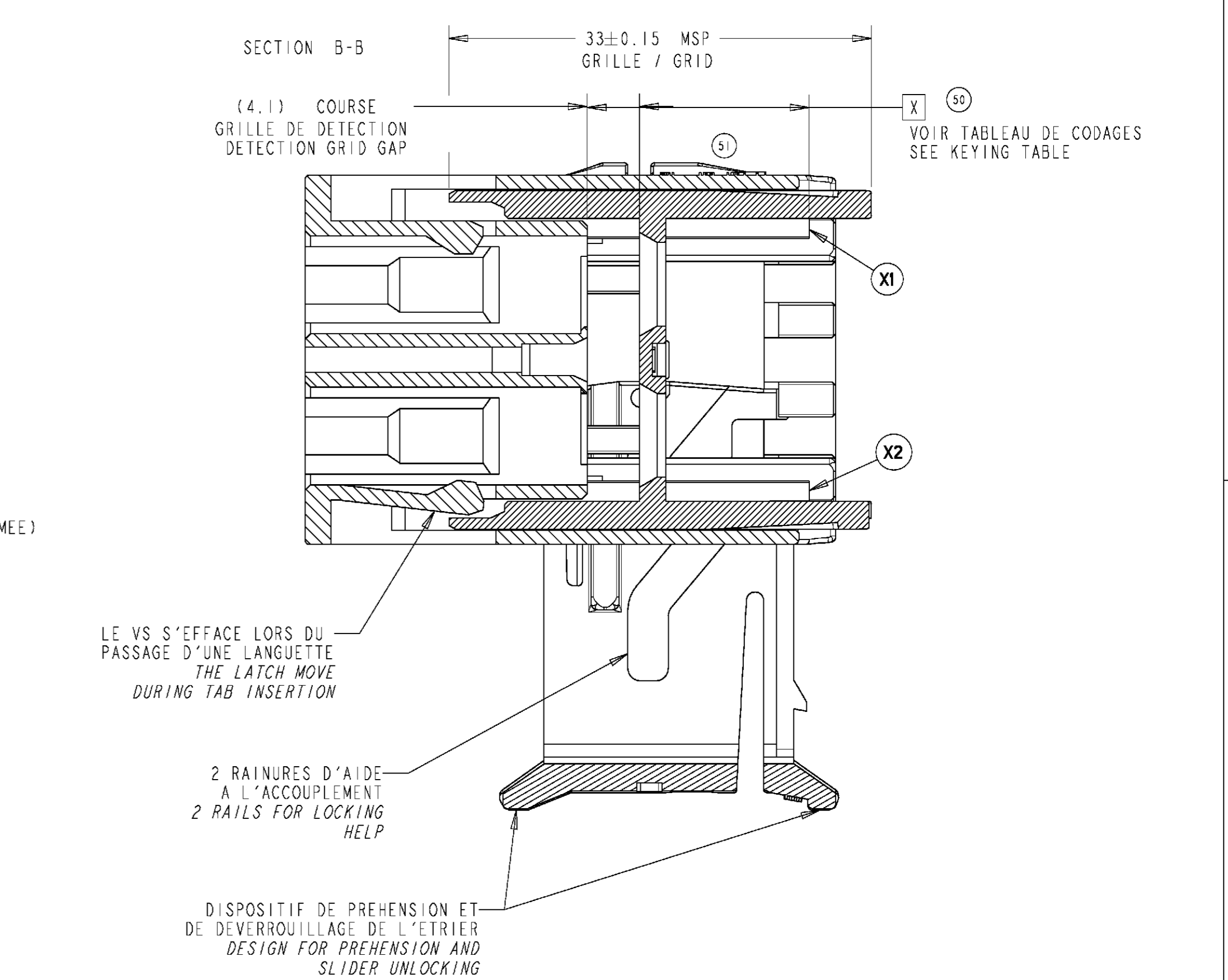
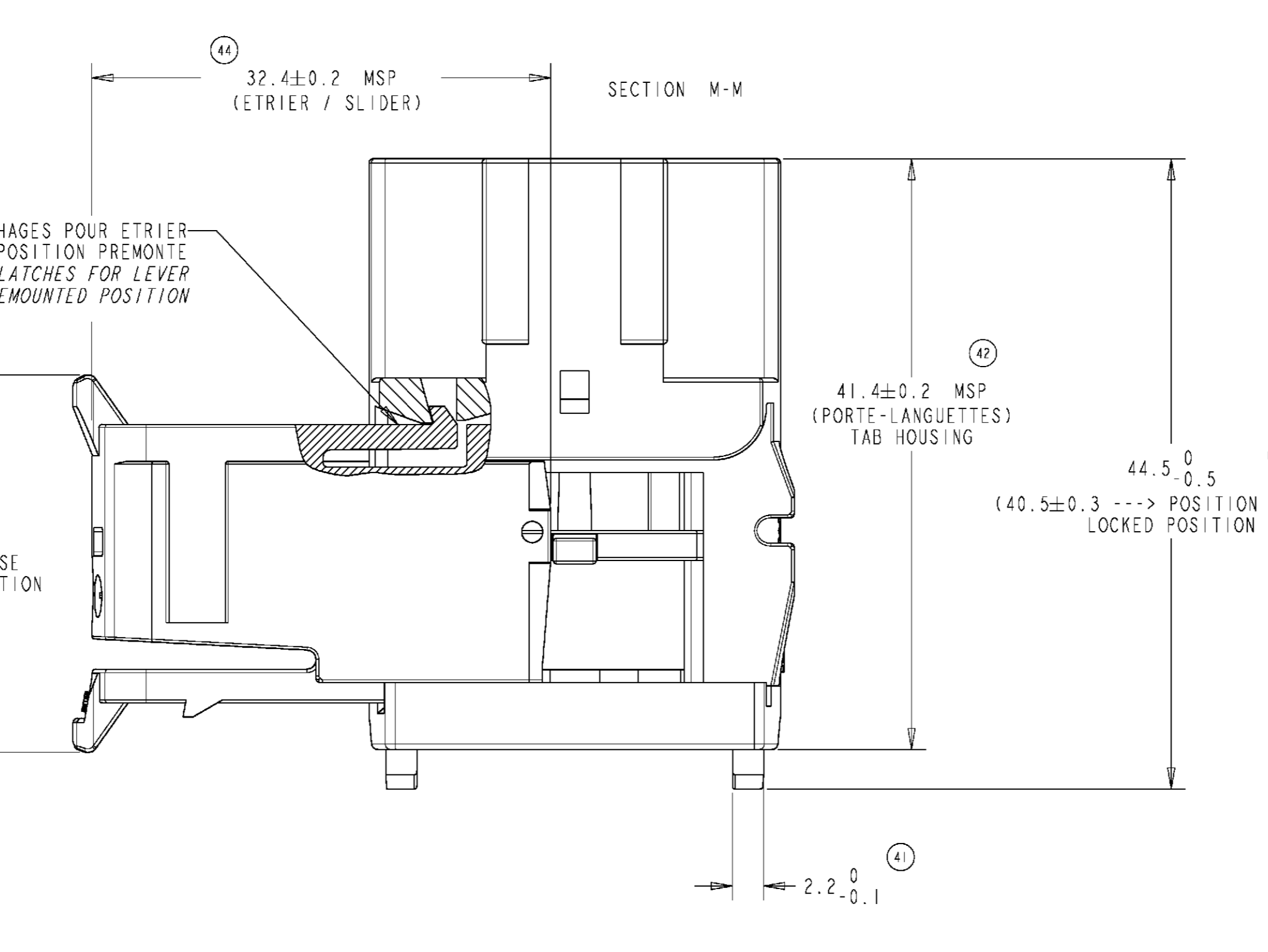
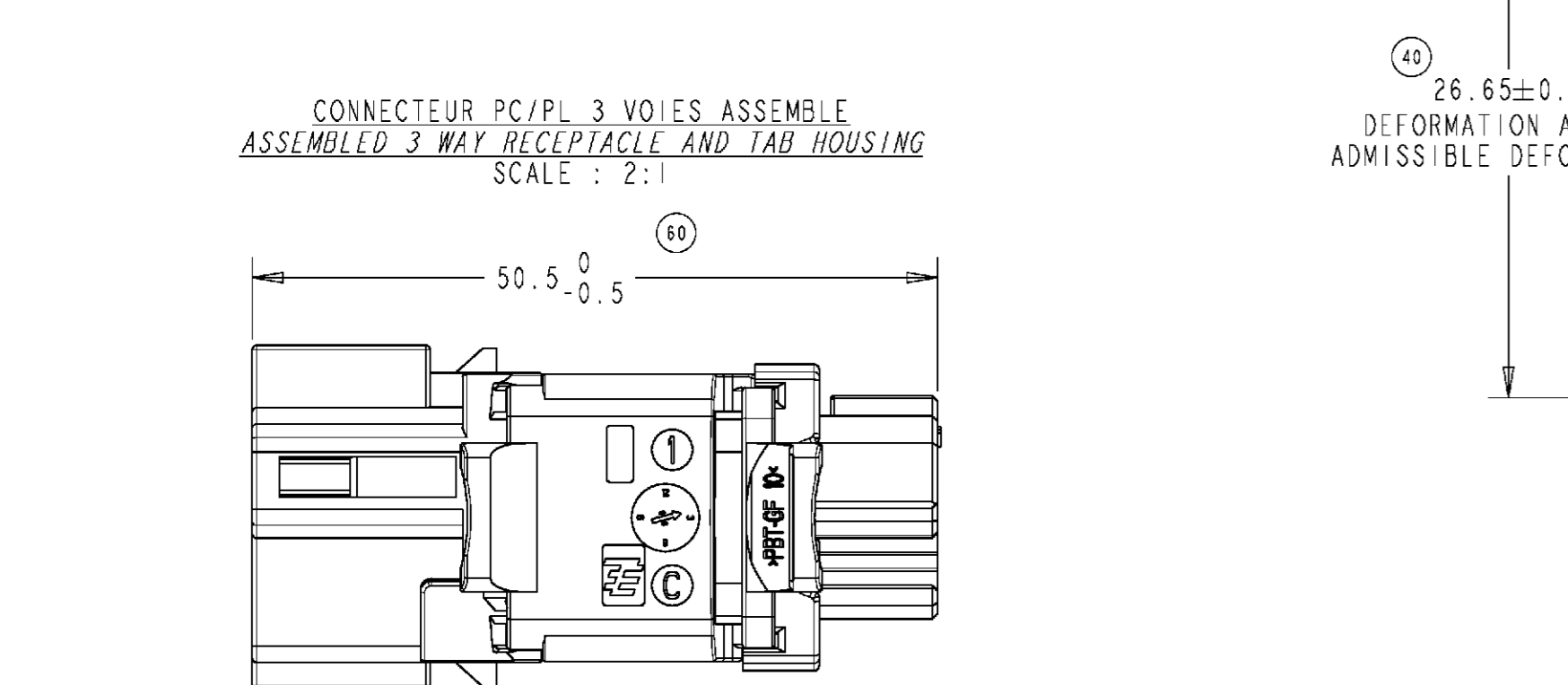
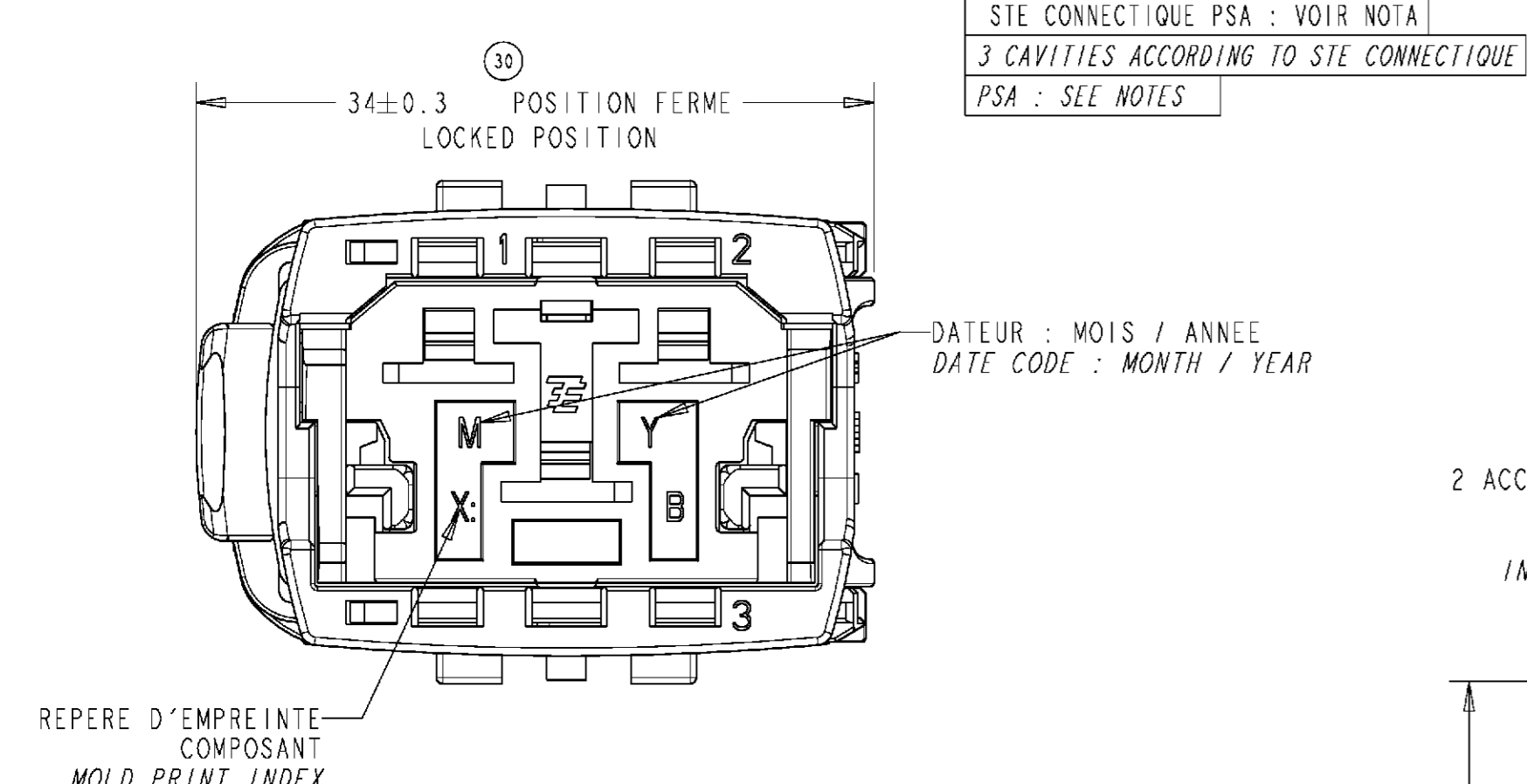
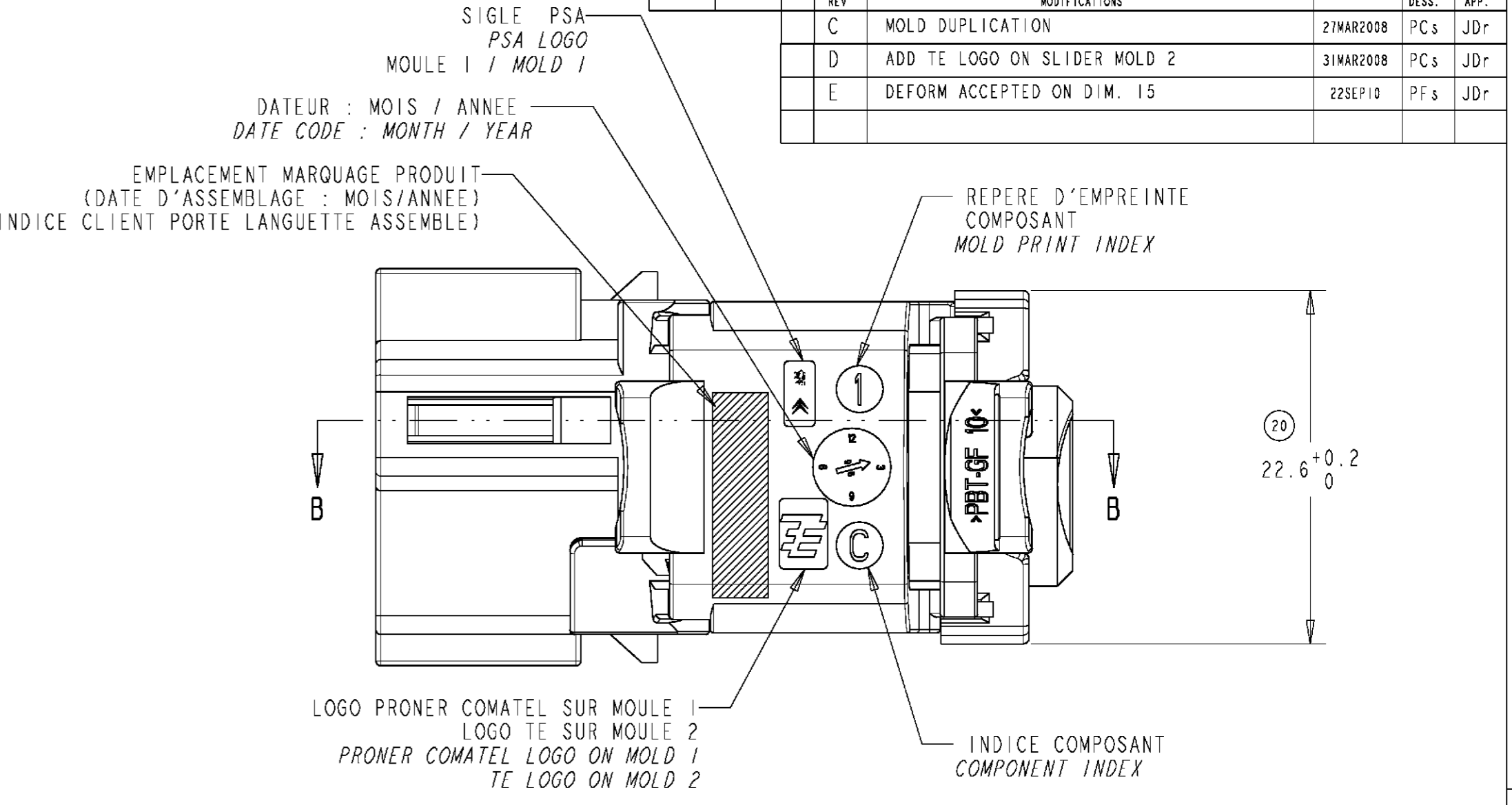
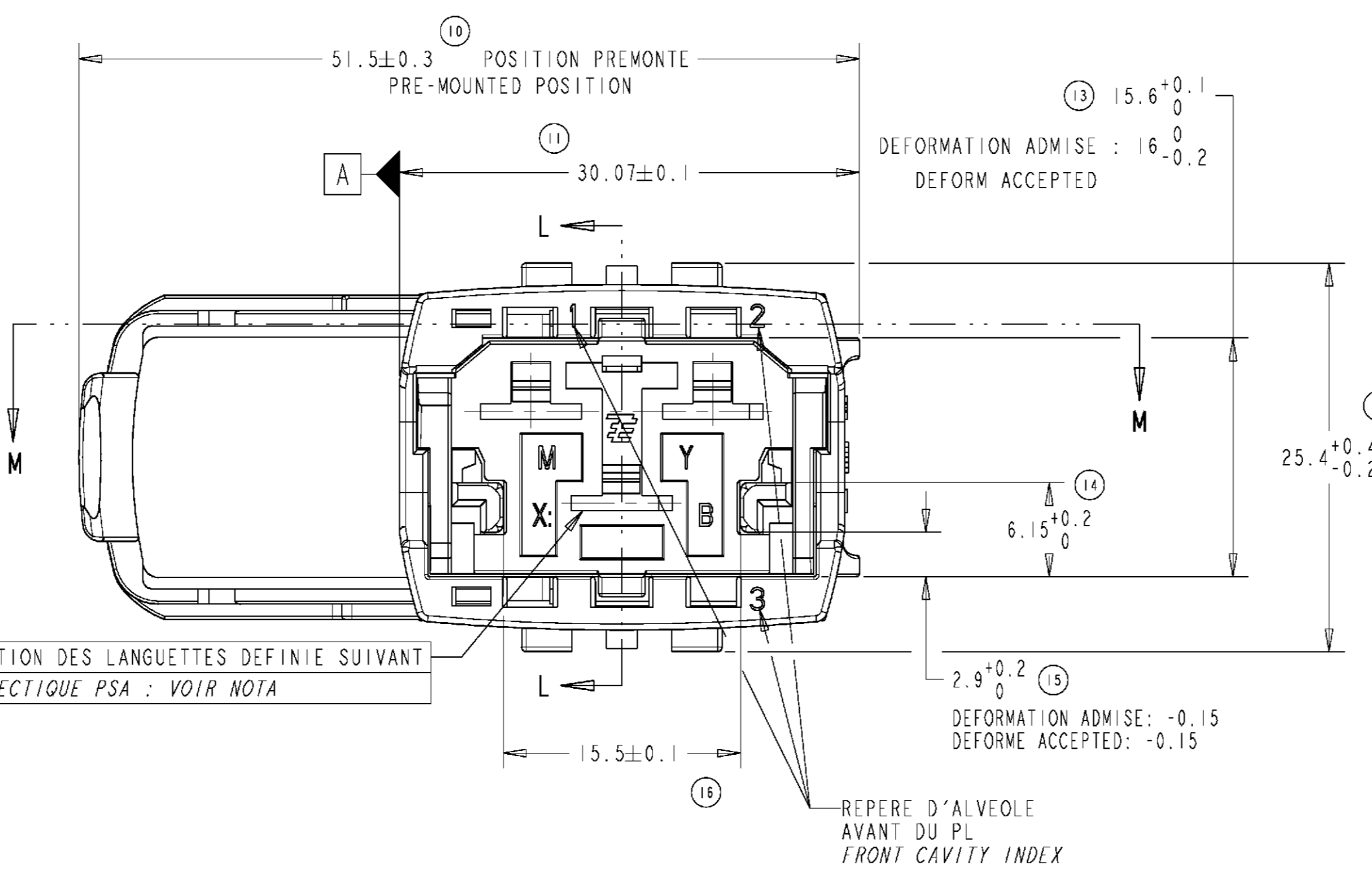
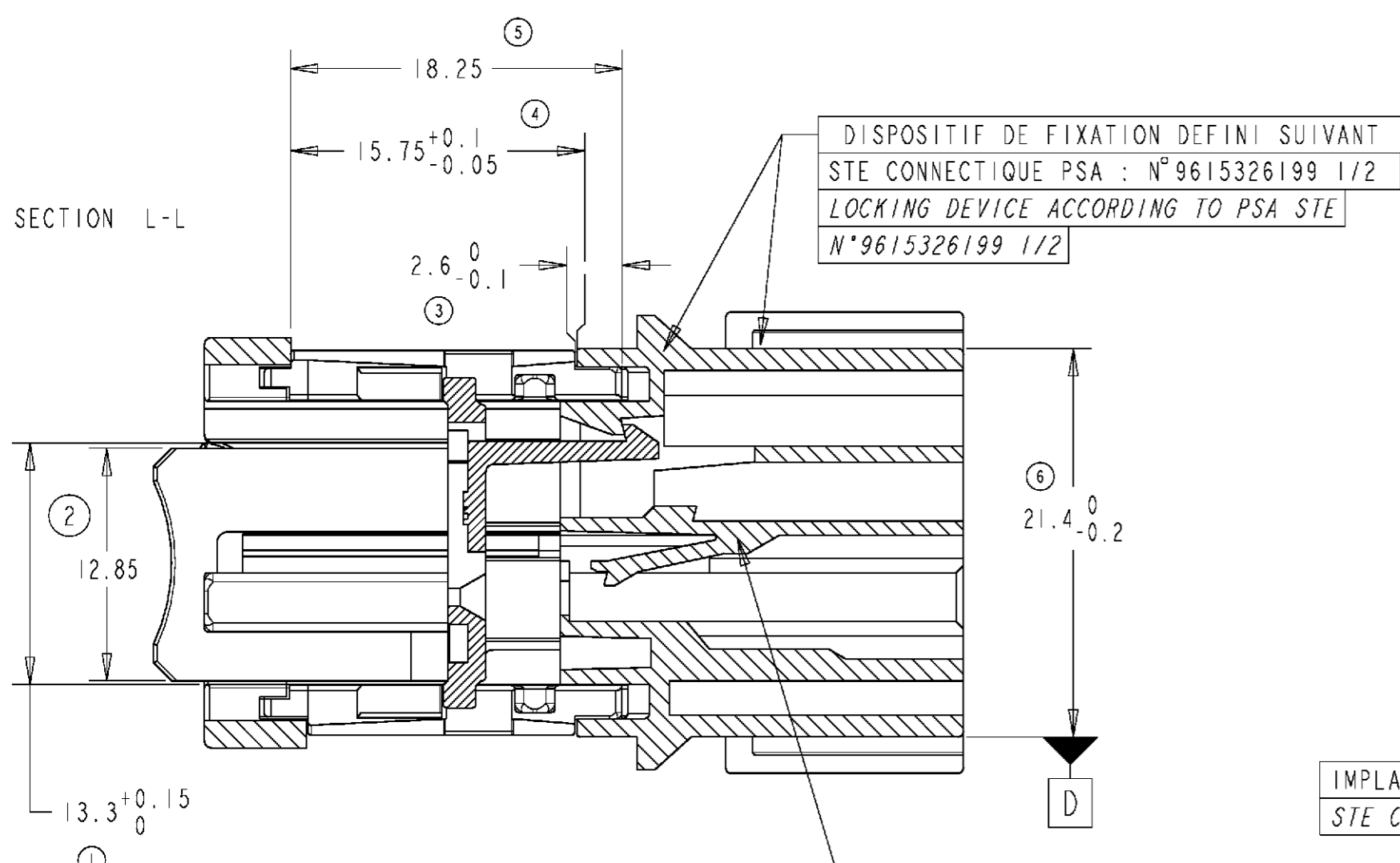
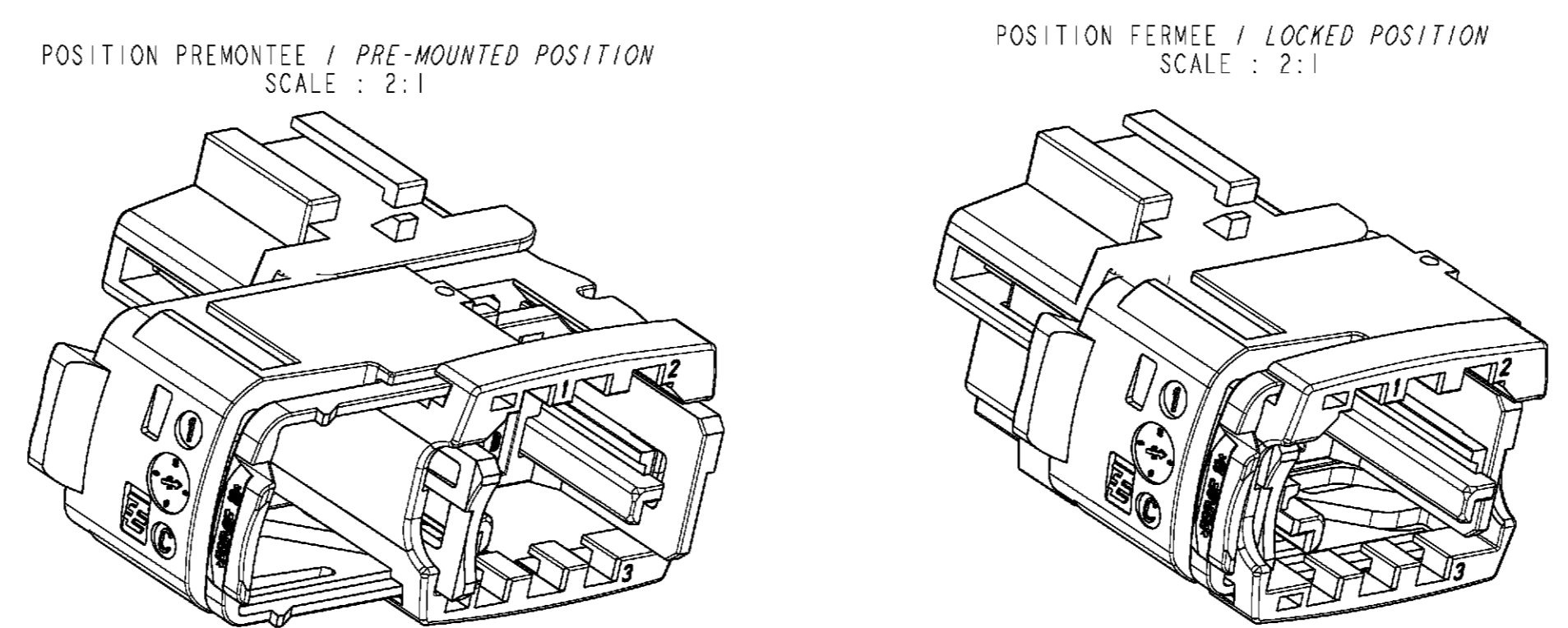


REVISONS		DATE	DWN	APPV
REV	DESCRIPTION		DES.	APP.
C	MOLD DUPLICATION	21MAR2008	PCS	JDF
D	ADD TE LOGO ON SLIDER MOLD 2	31MAR2008	PCS	JDF
E	DEFORM ACCEPTED ON DIM. 15	22SEP10	PF S	JDF



REFERENCES ET CODAGES COULEURS ASSOCIES PART REFERENCES AND COLOR KEYING ASSOCIATED			
1544226-1	1544226-3	1544226-2	TE REFERENCE
NOIR : COTE X1 = 17.5 ⁰ / _{-0.2} BLACK COTE X2 = 17.5 ⁰ / _{-0.2}	VERT : COTE X1 = 17.5 ⁰ / _{-0.2} GREEN COTE X2 = 17.5 ⁰ / _{-0.2}	BLEU : COTE X1 = 17.5 ⁰ / _{-0.2} BLUE COTE X2 = 17.5 ⁰ / _{-0.2}	COULEUR COLOR
			POSITION DES CODAGES KEYING POSITION DETAIL



NOTA / NOTES:
 - MSP : COTES SUIVIES EN MSP / DIMENSIONS FOLLOWED BY SPC
 - CDC CONNECTIQUE PSA : 96306034-99 / PSA PRODUCT SPECIFICATION: 96306034-99
 - () : COTES POUR INFORMATION / DIMENSIONS FOR INFORMATION ONLY

DESIGNATION DESIGNATION	TE PN	COULEUR COLOR	MATIERE MATERIAL
PORTE LANGUETTE ASSEMBLE TAB HOUSING ASSEMBLED	1544226-1	NOIR / BLACK	PBT 10% FV V0
	1544226-2	BLEU / BLUE	
	1544226-3	VERT / GREEN	
GRILLE DE DETECTION DETECTION GRID	-	JAUNE / YELLOW	PBT 10% FV V0
ETRIER 3 VOIES SLIDER	-	ROUGE / RED	PBT 10% FV V0
LANGUETTE 6.35NGI 6.35NGI TAB	1544218-1	PROTECTION / PLATING Sn 0.8µm alto 1.5µm	Cu Sn Mg

TYCO ELECTRONICS CORPORATION
 11110 W. BURNING WOOD DRIVE, BURNING WOOD, OHIO 44155-4091
 ET PLAN REP EN DOCUMENT CONTROL PAR TYCO ELECTRONICS. ALL TEST
 DIMENSIONS: mm

TYCO ELECTRONICS FRANCE SAS
 517, Av. de la Boissière, 73000 Chambéry

OWN PRESSING: L. CORONELLI, P. FLORES
 DATE: 27JAN2006
 APPROVED: J. DASSI
 PRODUCT SPEC: PROSIBIT

APPLICATION SPEC: 4111-1567
 SIZE: A
 CAGE CODE: 00779
 DRAWING NO: 1544226

WEIGHT: APPROX. 20 g
 MATERIAL/MATIERE: SEE TABLE
 FINISH/FINITION: -

CUSTOMER DRAWING / PLAN CLIENT
 /PLAN CLIENT POUR REFERENCE

SCALE: 2:1
 SHEET: 1 OF 1
 REV: E

X-ON Electronics

Largest Supplier of Electrical and Electronic Components

Click to view similar products for [Automotive Connectors](#) category:

Click to view products by [TE Connectivity](#) manufacturer:

Other Similar products are found below :

[003-018-000](#) [60403001](#) [60993906-B](#) [M902-2131](#) [M902-2161](#) [72.330.1035.1](#) [73.353.4028.0](#) [F119300-B](#) [F166900](#) [F258300-B](#) [F358300-B](#)
[F407400](#) [F444110](#) [F487000](#) [F509500B-B](#) [827153-1](#) [8N1515-32-24P](#) [9-1326729-8](#) [925474-1](#) [928905-1](#) [964562-4](#) [968782-1](#) [GT17SA-8DS-](#)
[HU](#) [98891-1012](#) [98947-1016](#) [12004147](#) [12004475-L](#) [12010290](#) [12010309-B](#) [12015454](#) [12020219-B](#) [12020308](#) [12041318-B](#) [12052225-L](#)
[12052466](#) [12059125](#) [12064869](#) [12004327-B](#) [12010503-B](#) [12015308](#) [12015384](#) [12015909](#) [1-21030-1](#) [12041254](#) [12041318](#) [12047946-B](#)
[12047957](#) [12047957-L](#) [12059473](#) [12066261](#)