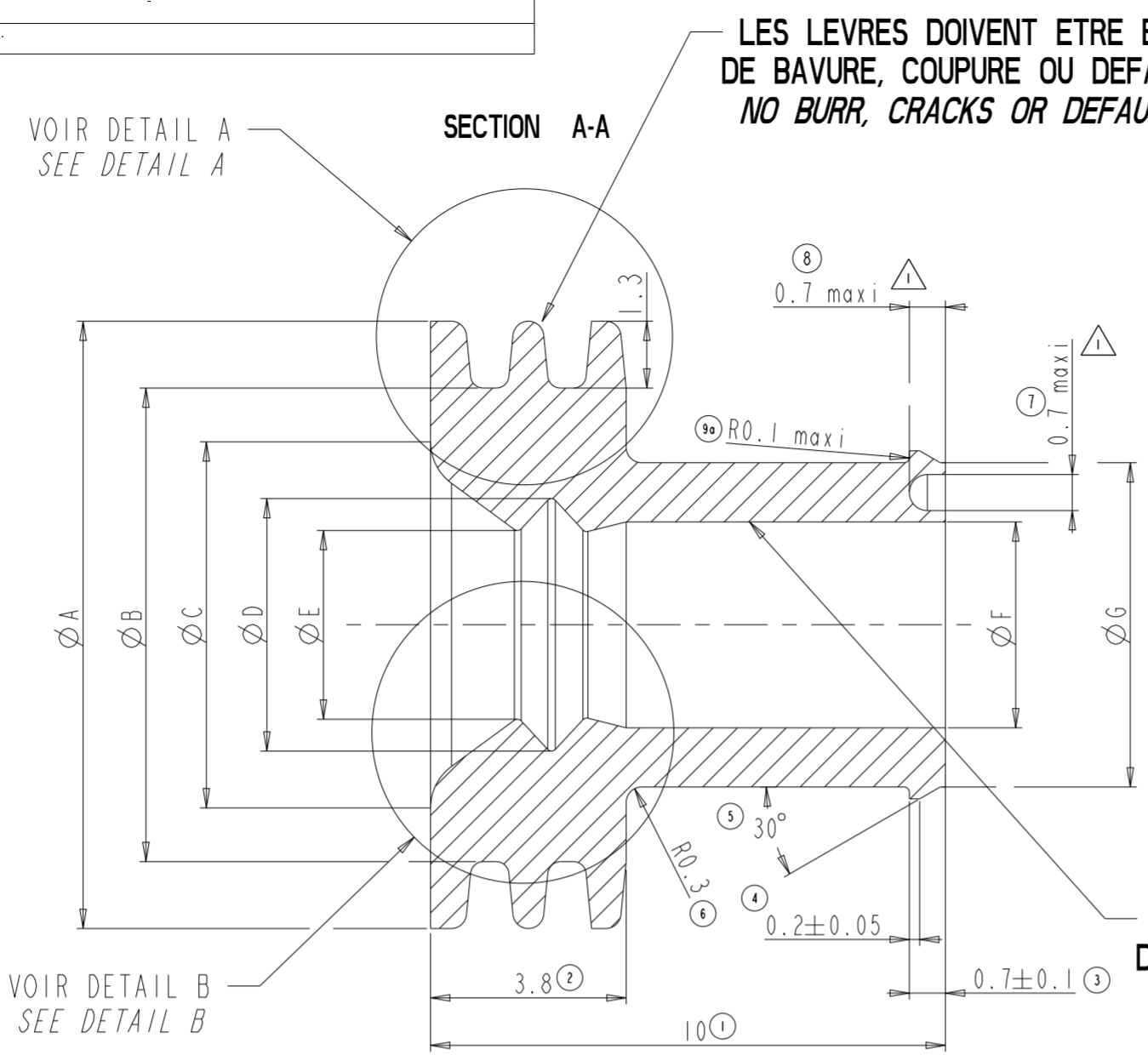
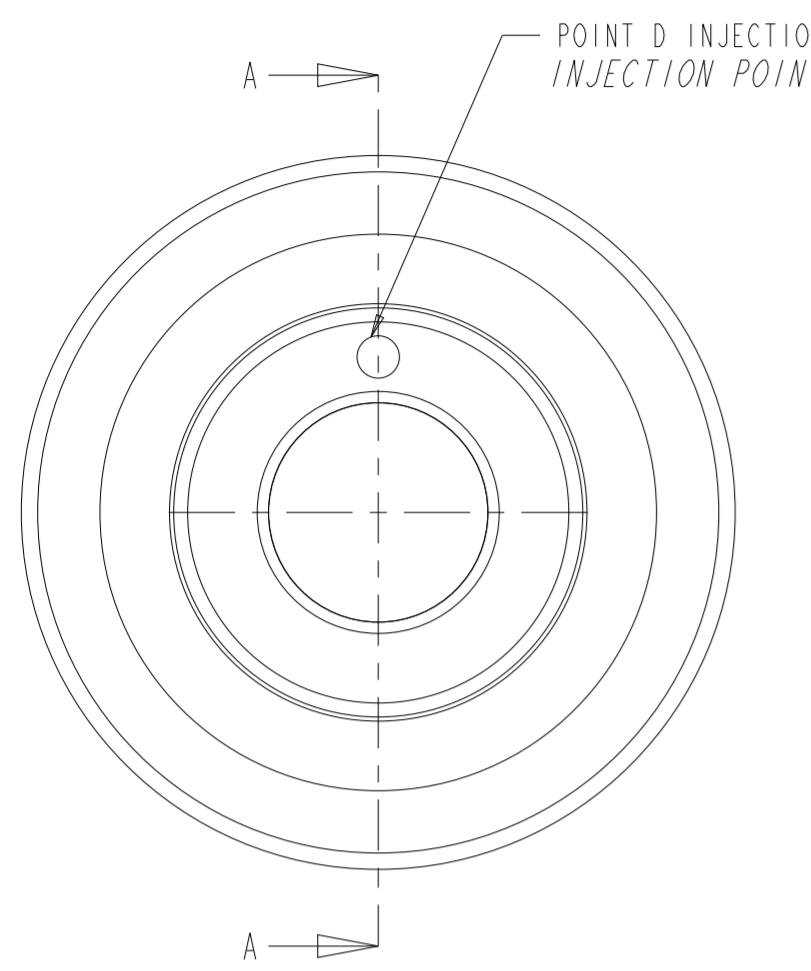


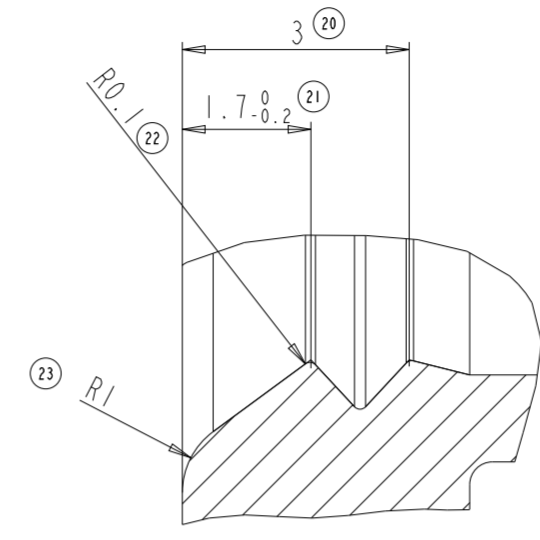
THIS DRAWING IS UNPUBLISHED. RELEASED FOR PUBLICATION
 © COPYRIGHT copyright.dBTe- ALL RIGHTS RESERVED.

REVISIONS				
P	LTR	DESCRIPTION	DATE	APVD
D		rep 15 0.8±0.15 WAS 0.8++0.1	25OCT2018	PB XR
E		TITLE BLOCK CORRECTED	04MAR2021	FB XR

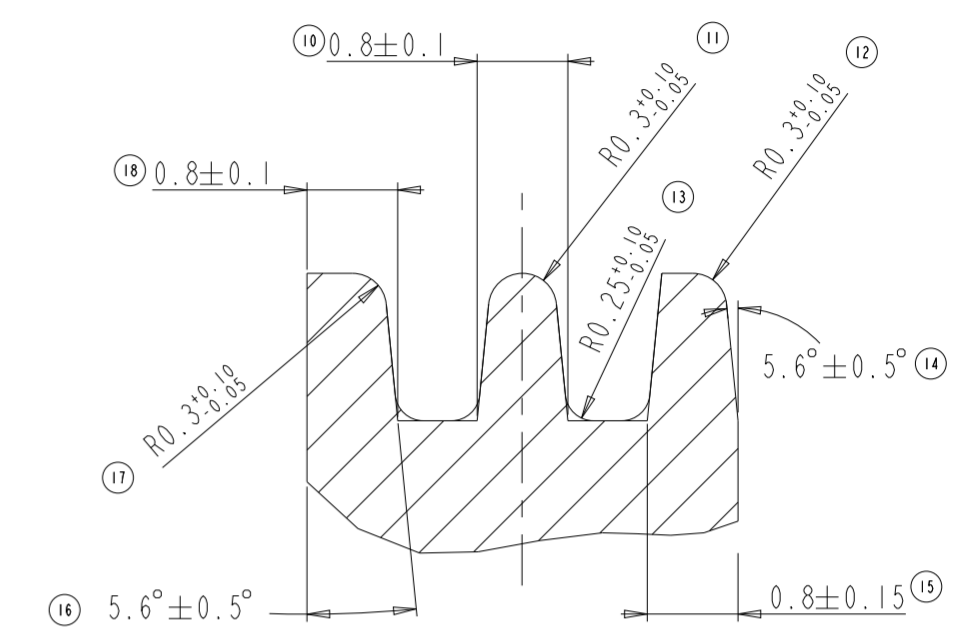


LES LEVRES DOIVENT ETRE EXEMPTES DE BAVURE, COUPURE OU DEFAUT D ASPECT...
 NO BURR, CRACKS OR DEFAULT PERMITTED ON LIPS...

DETAIL B / DETAIL B
 Ech 10.000 / Scale 15.000



DETAIL A / DETAIL A
 Ech 15.000 / Scale 15.000



LES SURFACES INTERIEURES DOIVENT ETRE EXEMPTES DE DEFAUT, BAVURE, COUPURE OU DEFORMATION...
 INSIDE AREAS MUSN'T PRESENT BURR, CRACK, DEFORMATION..

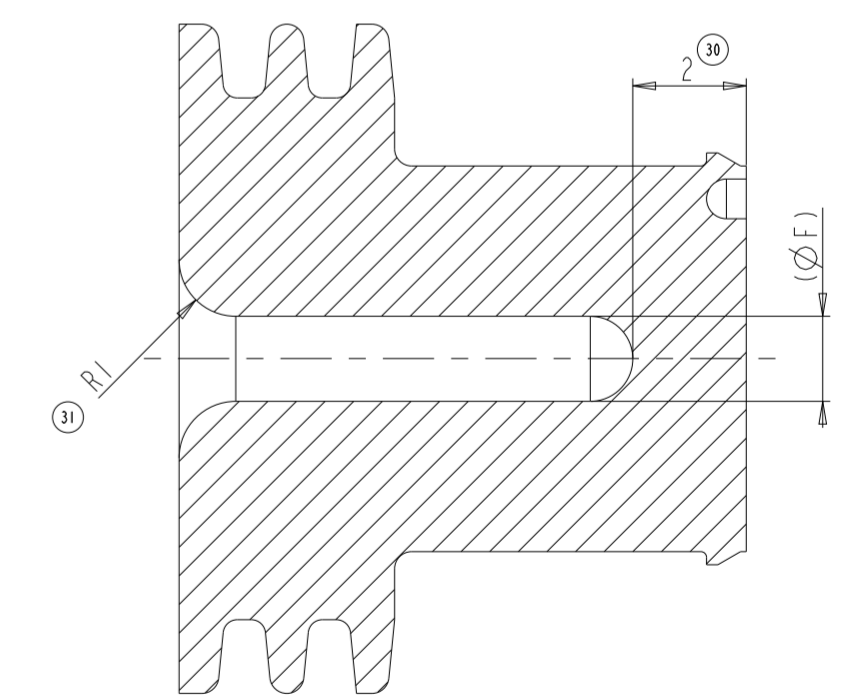
DESIGNATION DESCRIPTION	COULEUR COLOR	REF PRONER PN PRONER	A	B	C	D	E	F	G	REF PSA PN PSA	REF RENAULT PN RENAULT	REF TE PN TE	MASSE WEIGHT
JOINT UNIFILAIRE A SERTIR SINGLE WIRE SEAL SECTION : 3 A (TO) 6 mm ²	VERT A455±5 GREEN	P8010489526	11.8	9.2	7	4	2.6	3	5.3	9637215880	8200 072 611	1544316-1	0.443 g
JOINT UNIFILAIRE A SERTIR SINGLE WIRE SEAL SECTION : 7 A (TO) 10 mm ²	ORANGE A110/A130 ORANGE	P8010589526	11.8	9.2	7	6	4	4.5	6.8	9637215980	8200 072 613	1544316-2	0.447 g
BOUCHON D'ETANCHEITE SEALING PLUG	BLANC WHITE	P8010689526	11.8	9.2	--	--	--	1.5	6.8	9637216080	8200 402 054	1544316-3	0.622 g

Notes: -Bavure du point d'injection située dans une zone non fonctionnelle doit être inférieure à 0.4mm de hauteur et 0.3mm d'épaisseur.
 -An injection point burr located in a no functional area must be less than 0.4mm high and 0.3mm thick
 -Cotes fonctionnelle A-B-C-D-E-F-G-10-18-15/Functional dimension A-B-C-D-E-F-G-10-18-15

SPECIFICATION
 -Micro dureté 45±5 DIDC selon NFTA46003 (sur pieces transformées).
 -Micro hardness 45±5 DIDC according to NF 4600 (on transformed parts).
 -Allongement à la rupture selon DIN 53 504.
 -Elongation at break according to DIN 53 504
 -Déformation rémanente apres compression 22h/175°C selon DIN 53 517
 -Residual deformation after compression 22h/175°C according to DIN 53 517
 -Résistance au déchirement suivant norme ASTM D 624/B
 -Tear strengt according to standard ASTM D 624/B
 -Tenu aux fluides selon norme PSA :B25 1140 et CDC RENAULT:36 05 019/--E méthode d'essai D47 1924
 -Fluide ability according to PSA standard :B25 1140 and RENAULT specification:36 05 019/--E, testing method D47 1924

CONDITIONEMENT / PACKAGING
 -Sachets hermetiques dans carton suivant norme GALIA
 -Sealed bags in box according to GALIA standard

BOUCHON D'ETANCHEITE / SEALED PLUG
 SECTION A-A
 PN 1544316-3



THIS DRAWING IS A CONTROLLED DOCUMENT.		DWN L. CORONELLI	07NOV2007	
DIMENSIONS: mm		CHK P. CHARLES		
TOLERANCES UNLESS OTHERWISE SPECIFIED:		APVD J. DAHER	07NOV2007	
1 PLC ±		PRODUCT SPEC	108-15346	
2 PLC ±0.15		APPLICATION SPEC	411-15697	
3 PLC ±		WEIGHT	VOIR TABLE	
4 PLC ±		CUSTOMER DRAWING		
ANGLES ±2°		SIZE	A2	CAGE CODE 00779
FINISH		DRAWING NO	C-1544316	
MATERIAL SILICONE		RESTRICTED TO		
		SCALE	8.000	SHEET 1 OF 1
		REV	E	

X-ON Electronics

Largest Supplier of Electrical and Electronic Components

Click to view similar products for [Automotive Connectors](#) category:

Click to view products by [TE Connectivity](#) manufacturer:

Other Similar products are found below :

[003-018-000](#) [60403001](#) [60993906-B](#) [M902-2131](#) [M902-2161](#) [M902-2344](#) [72.330.1035.1](#) [73.353.4028.0](#) [F119300-B](#) [F166900](#) [F258300-B](#)
[F358300-B](#) [F407400](#) [F444110](#) [F487000](#) [F509500B-B](#) [827153-1](#) [8N1515-32-24P](#) [9-1326729-8](#) [925474-1](#) [928905-1](#) [964562-4](#) [968782-1](#)
[GT17SA-8DS-HU](#) [98891-1012](#) [98947-1016](#) [12004147](#) [12004475-L](#) [12010290](#) [12010309-B](#) [12015454](#) [12020219-B](#) [12041318-B](#) [12052225-](#)
[L](#) [12052466](#) [12064869](#) [12004327-B](#) [12015308](#) [12015384](#) [12015909](#) [1-21030-1](#) [12041254](#) [12041318](#) [12047946-B](#) [12047957](#) [12047957-L](#)
[12059473](#) [12066261](#) [12110546](#) [12110546-B](#)