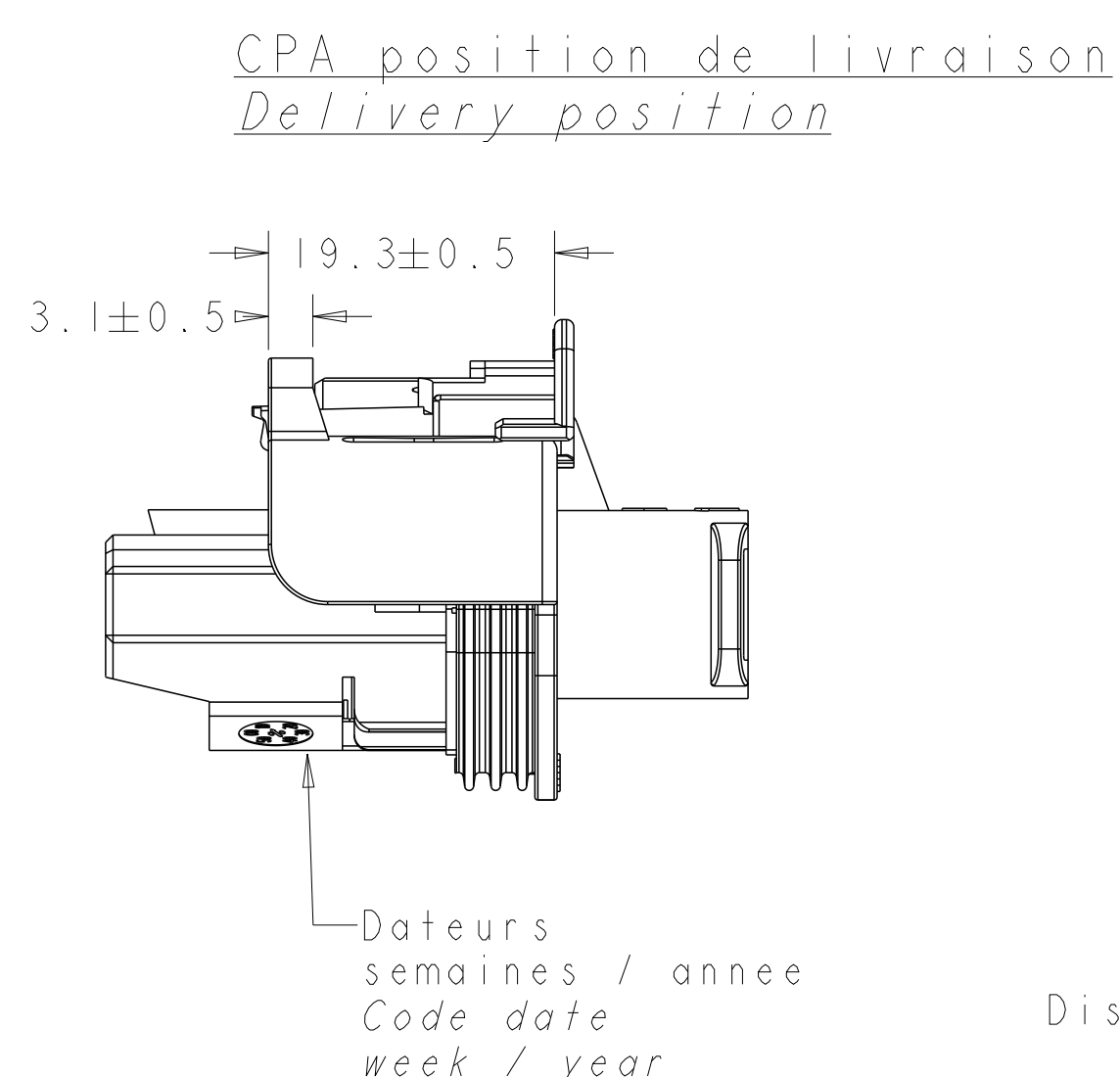
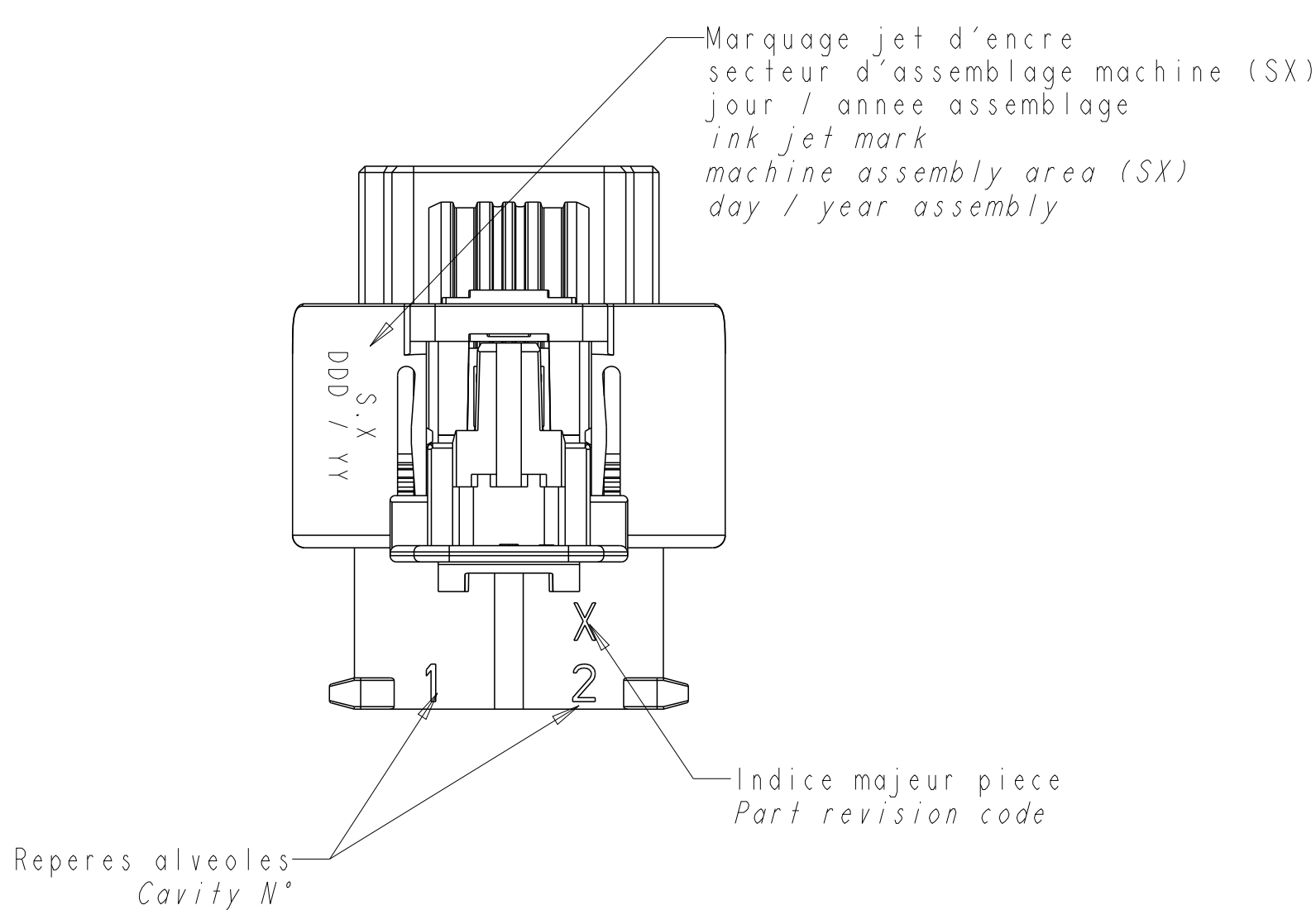


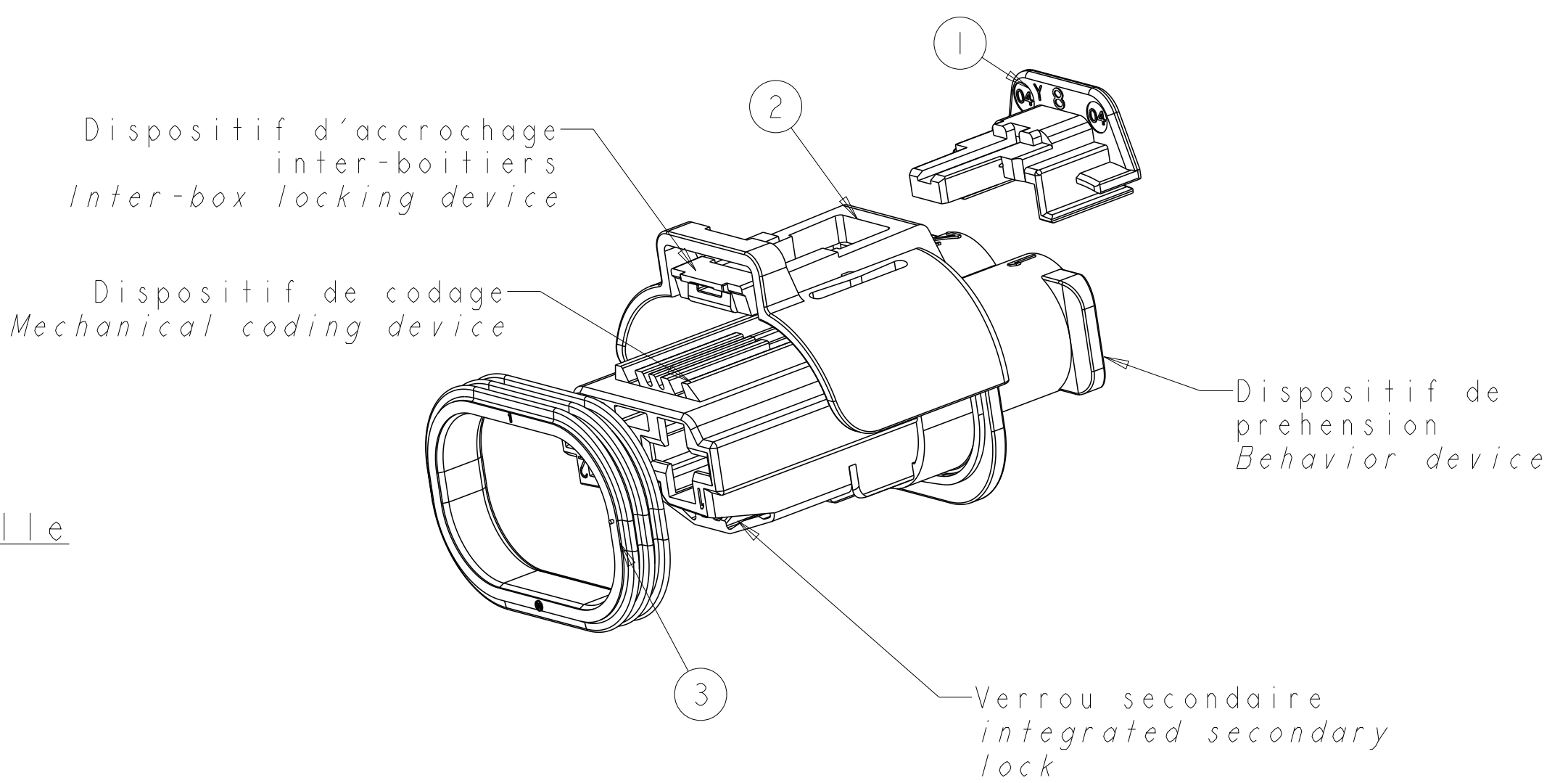
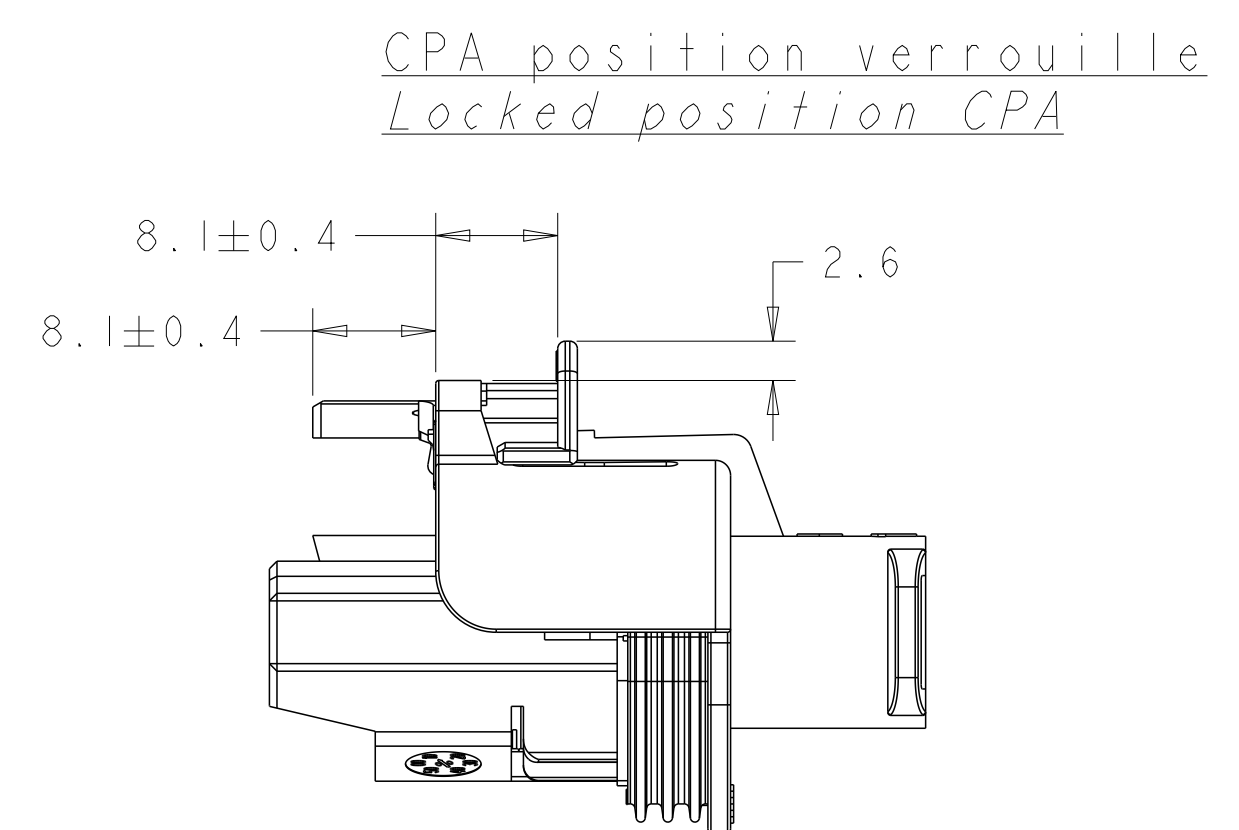
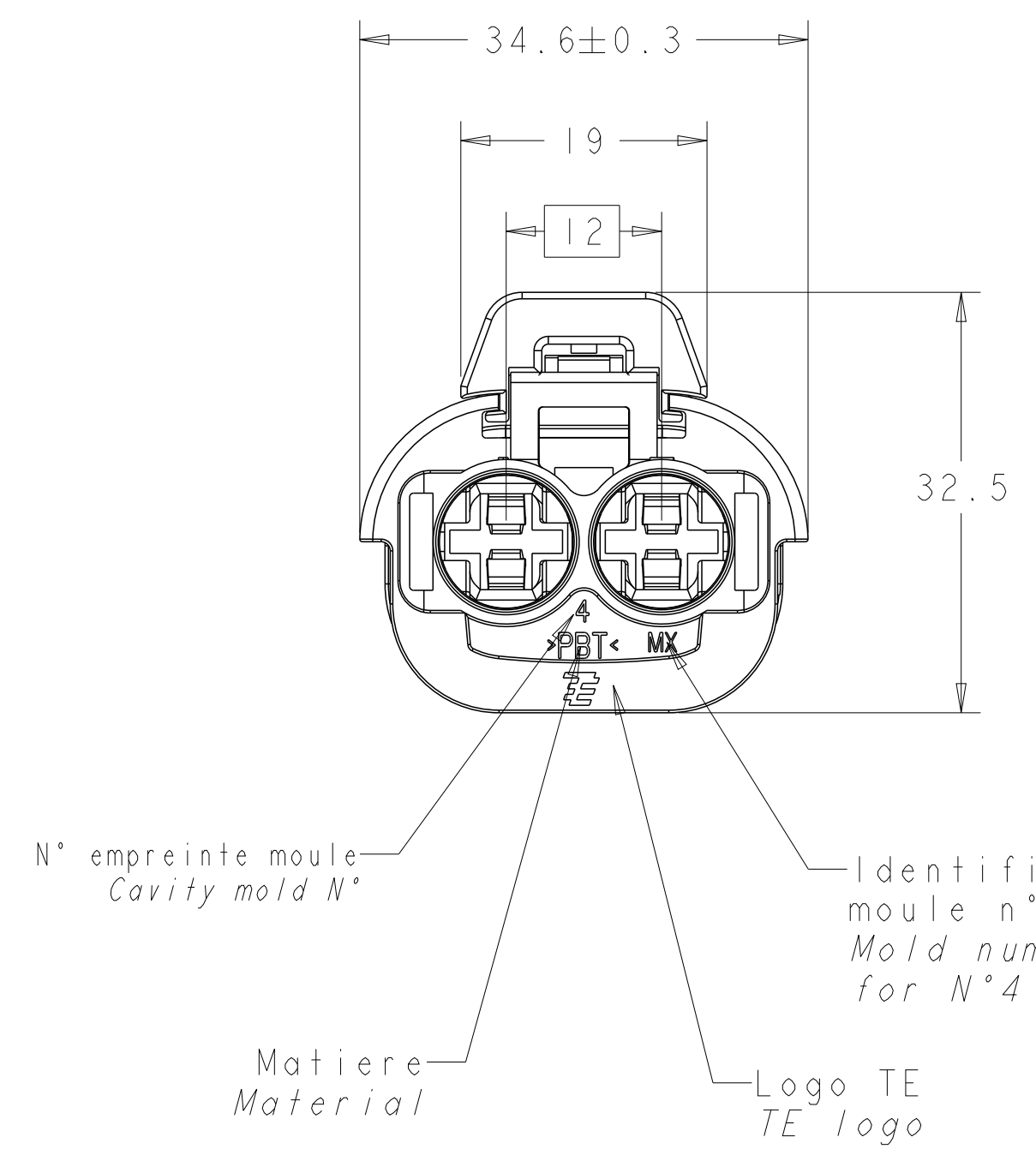
REVISIONS					
P	LTM	DESCRIPTION	DATE	DMN	APVD
C		30.5+0.2-0.3 was 30.5+0-0.3	06DEC2016	PB	XR

ECHELLE 1:1



NOTA

	Description	Designation	Matiere	Couleur	Nbr
①	CPA lock	Verrou CPA	PBT 0% HB	Jaune	1
②	Housing	Porte clips	PBT 0% HB	Noir/Bleu/Gris	1
③	Seal	Joint	Silicone	Vert	1/0

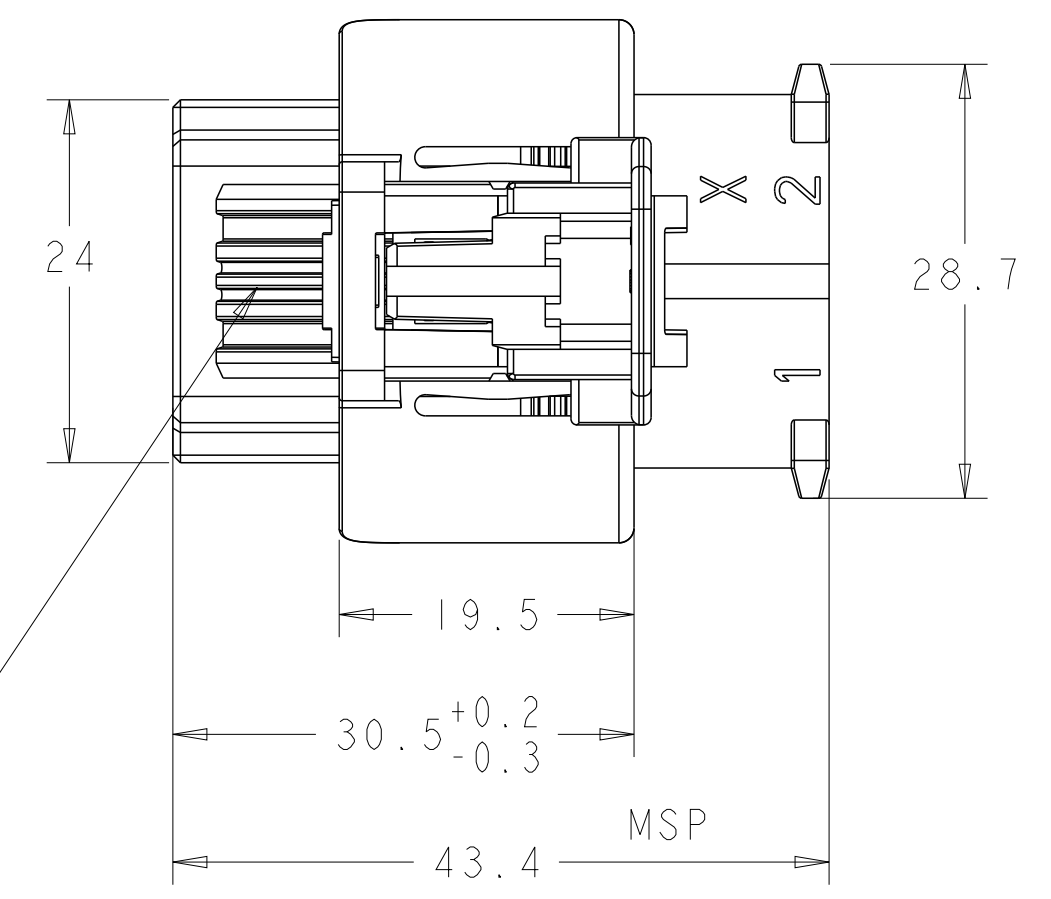


REFERENCES PSA / PRONER COMATEL / TE pour CABLEURS
PSA / PRONER COMATEL / TE PART NUMBERS for WIRING MANUFACTURER

COMPOSANTS / COMPONENTS	REFERENCE / PART NUMBER	MATIERE / MATERIAL	COULEUR / COLOR
Clip / Receptacle 8mm NGI (4) Section 3 à 6 mm ² Wire-section from 3 to 6 mm ²	96 281 252 80 (1) P79101792751 (2) 1544227-1 (3)	Cuivre Micro allié / SM 182 Micro alloy copper / SM 182	/
Clip / Receptacle 8mm NGI (4) Section 7 à 10 mm ² Wire-section from 7 to 10 mm ²	96 281 253 80 (1) P79101792761 (2) 1544228-1 (3)	Cuivre Micro allié / SM 182 Micro alloy copper / SM 182	/
Joint unifilaire à sertir single seal Section 3 à 6 mm ² Wire-section from 3 to 6 mm ²	96 372 158 80 (1) P8010489526 (2) 1544316-1 (3)	Silicone 50 Sh A Autolubrifié Silicon 50 Sh A Self-lubricating	VERT GREEN
Joint unifilaire à sertir single seal Section 7 à 10 mm ² Wire-section from 7 to 10 mm ²	96 372 159 80 (1) P8010589526 (2) 1544316-2 (3)	Silicone 50 Sh A Autolubrifié Silicon 50 Sh A Self-lubricating	ORANGE ORANGE
Bouchon seal plug	96 372 160 80 (1) P8010689526 (2) 1544316-3 (3)	Silicone 50 Sh A Non-lubrifié Silicon 50 Sh A Non-lubricating	BLANC WHITE

AVEC CPA WITH CPA	COMPOSANTS COMPONENTS	COULEUR	TE
Seal part number Reference étanche	① + ② + ③	NOIR	1544678-1
		BLEU	1544678-2
		GRIS	1544678-3
Unseal part number Reference non étanche	① + ②	NOIR	1544679-1
		BLEU	1544679-2
		GRIS	1544679-3

SANS CPA WITHOUT CPA	COMPOSANTS COMPONENTS	COULEUR	TE
Seal part number Reference étanche	② + ③	NOIR	1544317-1
		BLEU	1544317-2
		GRIS	1544317-3
Unseal part number Reference non étanche	②	NOIR	1544567-1
		BLEU	1544567-2
		GRIS	1544567-3



Codage couleur
identique au porte clip
N° : 1544317-1/-2/-3
Coding device
same as drawing
N° : 1544317-1/-2/-3

THIS DRAWING IS A CONTROLLED DOCUMENT.

DMN P. CHARLES 15JUN2004
CHK - 15JUN2004

APVD J. DAHER 15JUN2004

PRODUCT SPEC 108-15333+108-15346
APPLICATION SPEC 411-15697

WEIGHT 0.00017

CUSTOMER DRAWING

SCALE 2:1 SHEET 1 OF 1 REV C

TE Connectivity

PC 2VOIES 8NGI ETANCHE SANS JUPE
2 WAY 8NGI SEALED RECEPTACLE HOUSING WITHOUT SKIRT

SIZE CAGE CODE DRAWING NO
A100779C=1544678

X-ON Electronics

Largest Supplier of Electrical and Electronic Components

Click to view similar products for [Automotive Connectors](#) category:

Click to view products by [TE Connectivity](#) manufacturer:

Other Similar products are found below :

[003-018-000](#) [60403001](#) [60993906-B](#) [M902-2131](#) [M902-2161](#) [72.330.1035.1](#) [73.353.4028.0](#) [F119300-B](#) [F166900](#) [F258300-B](#) [F358300-B](#)
[F407400](#) [F444110](#) [F487000](#) [F509500B-B](#) [827153-1](#) [8N1515-32-24P](#) [9-1326729-8](#) [925474-1](#) [928905-1](#) [964562-4](#) [968782-1](#) [GT17SA-8DS-](#)
[HU](#) [98891-1012](#) [98947-1016](#) [12004147](#) [12004475-L](#) [12010290](#) [12010309-B](#) [12015454](#) [12020219-B](#) [12020308](#) [12041318-B](#) [12052225-L](#)
[12052466](#) [12059125](#) [12064869](#) [12004327-B](#) [12010503-B](#) [12015308](#) [12015384](#) [12015909](#) [1-21030-1](#) [12041254](#) [12041318](#) [12047946-B](#)
[12047957](#) [12047957-L](#) [12059473](#) [12066261](#)