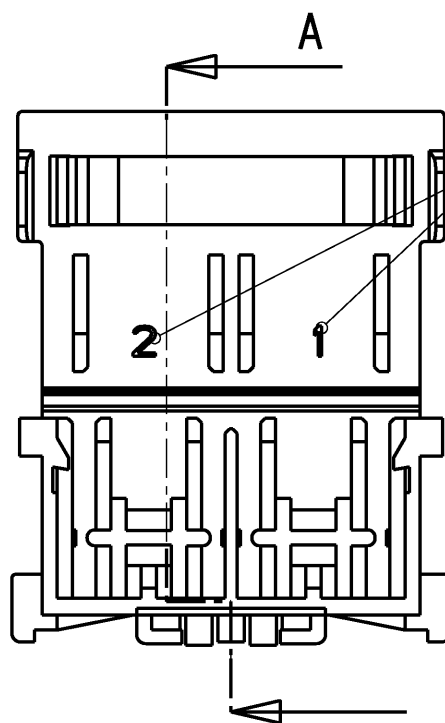
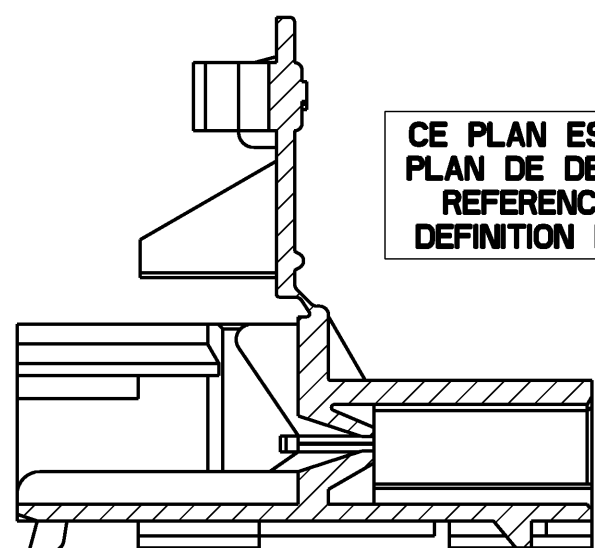


P	LTR REV	DESCRIPTION MODIFICATIONS	DATE	DWN DESS.	APVD APP.
	C	MOLD DUPLICATION	25AUG2005	LCi	JDr

COUPE A - A

CE PLAN EST UN EXTRAIT DU
PLAN DE DEFINITION, ON FERA
REFERENCE AU PLAN DE
DEFINITION POUR TOUT LITIGE

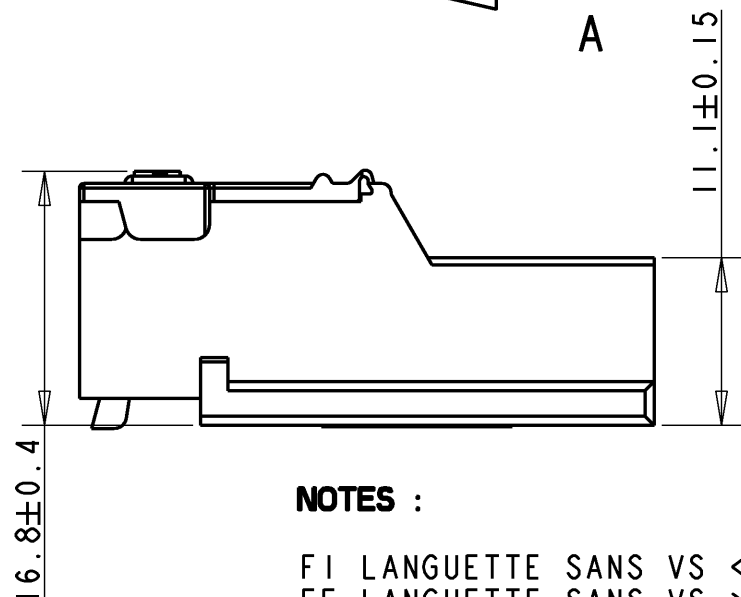
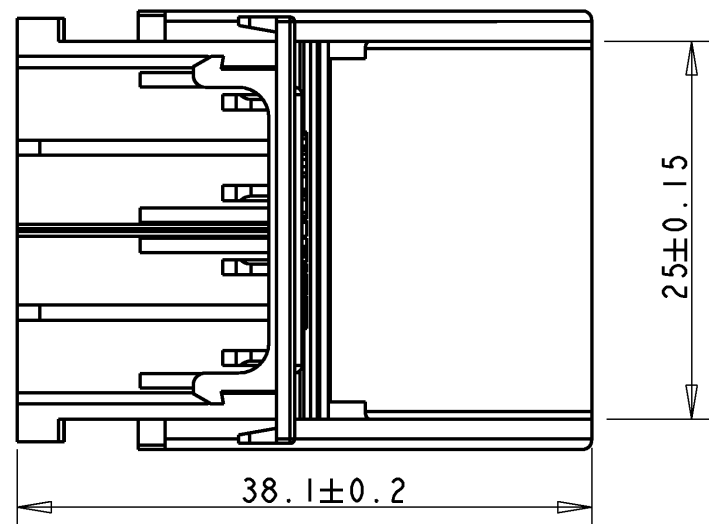


NUMERO DE VOIE
WAY NUMBER

SPECIFICATIONS FI PC/PL	
CLIP UZ15	CLIP CuNiSi
1544141	1544128
FI < 60N	FI < 70N

REF LANGUETTE 8MM		
TE	PSA	RENAULT
1544509-1	92 550 251 80	-
1544452-1	92 550 116 80	7701 997 036
1544453-1	92 550 126 80	7701 997 037

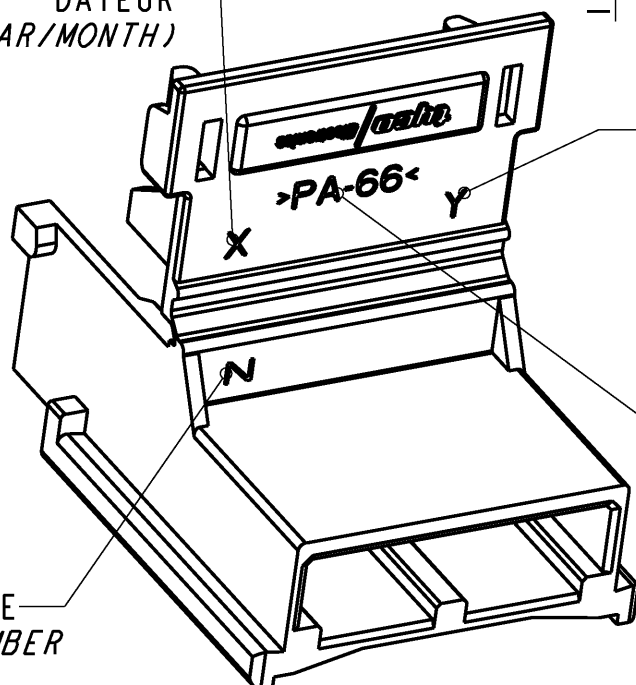
PRC	TE REF	PSA REF	RENAULT REF	COULEUR	CODAGE
B	1544459-1	96 111 357 80	7703 297 722	NOIR	
B	1544459-2	96 111 358 60	7703 297 721	GRIS	
B	1544459-3	96 111 358 80	-	MARRON	



NOTES :

- FI LANGUETTE SANS VS < 30 N
- FE LANGUETTE SANS VS > 80 N
- FE LANGUETTE AVEC VS > 100 N

DATEUR
DATE CODE (YEAR/MONTH)



INDICE PIECE
PART REVISION

MATERIE
MATERIAL

EMPREINTE
CAVITY NUMBER

<small>THIS DRAWING IS A CONTROLLED DOCUMENT FOR TYCO ELECTRONICS CORPORATION IT IS SUBJECT TO CHANGE AND THE CONTROLLING ENGINEERING ORGANIZATION SHOULD BE CONTACTED FOR THE LATEST REVISION.</small> <small>CE PLAN EST UN DOCUMENT CONTROLE PAR AMP INCORPORATED. IL EST SUSCEPTIBLE D'ETRE REVISE. CONTACTER LE SERVICE TECHNIQUE D'AMP DE FRANCE POUR OBTENIR LA DERNIERE REVISION.</small>		DWN /DESSINE 25AUG2005 L. CORONELLI CHK /VERIFIE 25AUG2005 P. FLORES APVD /APPROUVE 25AUG2005 J. DAHER		Tyco Electronics France SAS RN 90, 38530 Chapareillan	
DIMENSIONS: mm		TOLERANCES UNLESS OTHERWISE SPECIFIED: TOLERANCES NON SPECIFIEES (SUIV NB DE DECIMALES): 1. PLC /DEC: ± 2. PC /DEC: ± 3. PLC /DEC: ± 4. PLC /DEC: ± ANGLES ±3°		NAME: J. DAHER PRODUCT SPEC: SPEC. PRODUIT - APPLICATION SPEC: SPEC. APPLICATION -	
MATERIAL MATIERE PA 66 FINISH FINITION -		WEIGHT MASSE APPROX. 6 g		SIZE FORMAT A3 CAGE CODE 00779 DRAWING NO No PLAN C=1544459	
CUSTOMER DRAWING /PLAN CLIENT			UNTOUEMENT POUR REFERENCE		RESTRICTED TO RESERVE A -

X-ON Electronics

Largest Supplier of Electrical and Electronic Components

Click to view similar products for [Headers & Wire Housings](#) category:

Click to view products by [TE Connectivity](#) manufacturer:

Other Similar products are found below :

[95000-104TRLF](#) [10135584-644402LF](#) [DF62W-EP2022PCA](#) [95000-106TRLF](#) [DF62W-2022SCA](#) [DF62W-EP2022PC](#) [2203348](#) [DF62W-2022SC](#) [1084018](#) [1029039](#) [1084017](#) [802-10-012-10-002000](#) [1112640](#) [1112639](#) [891-007-9SS-BST1T](#) [000-34000](#) [0008550134](#) [0009482033](#) [0009507031](#) [57102-F02-18ULF](#) [57102-S06-03LF](#) [57202-S52-04LF](#) [PCN6-15S-2.5E](#) [0039019024](#) [58102-G61-06LF](#) [582553-1](#) [0009485154](#) [0009508121](#) [0022285053](#) [0050291907](#) [018731A](#) [LY20-4P-DT1-P1E-BR](#) [02.125.8002.8](#) [60101931](#) [60598-1 \(Cut Strip\)](#) [M1625-3R/100](#) [61062-3](#) [61082-181009](#) [CSU011177004](#) [636-1427](#) [638009-1](#) [641938-9](#) [641991-4](#) [644168-1](#) [644827-2](#) [647662-1](#) [65039-019ELF](#) [65692-001LF](#) [65781-018](#) [65781-047](#)