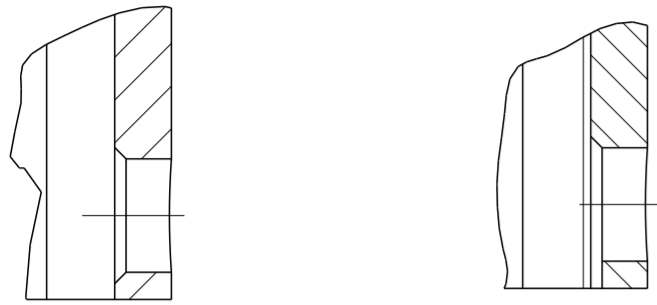
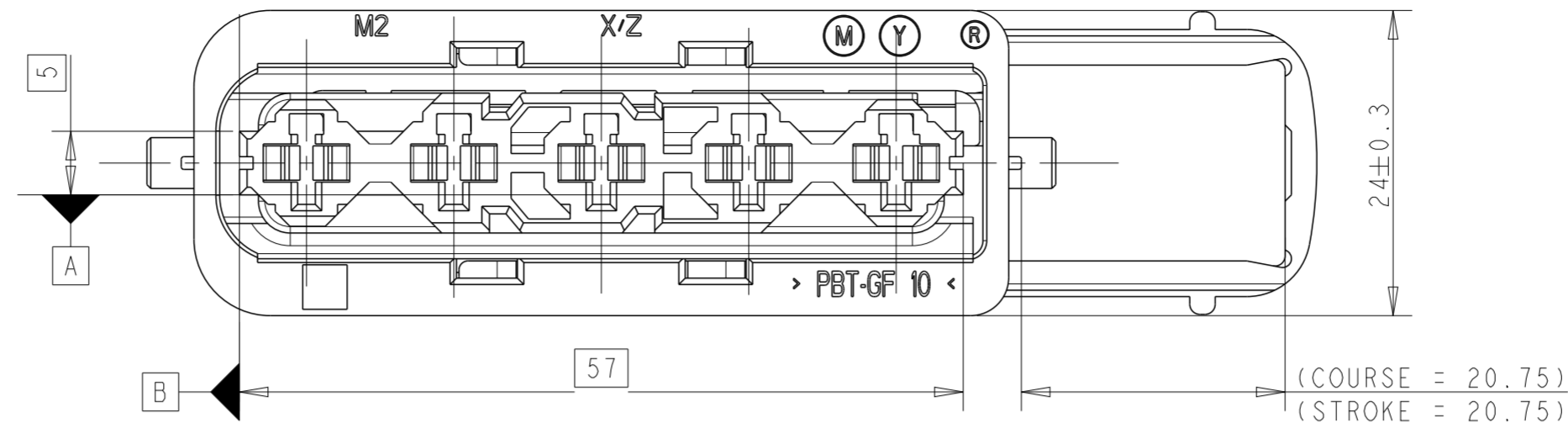


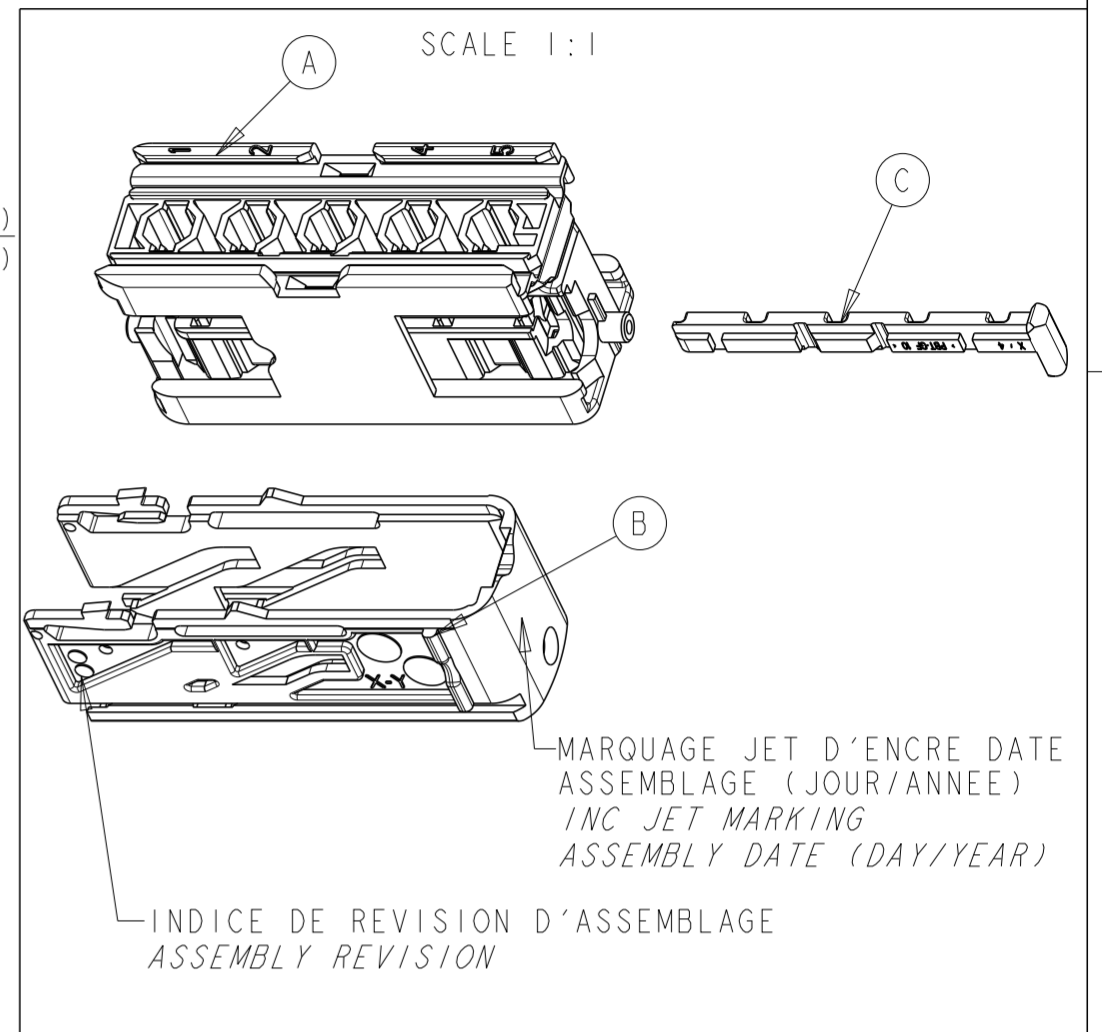
FORMES POSSIBLES DANS ETRIER
POSSIBLE FORMS IN SLIDER



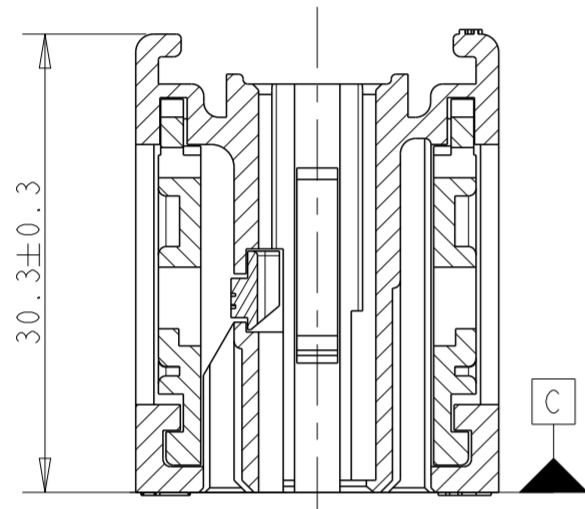
DETAIL A
 SCALE 3:1



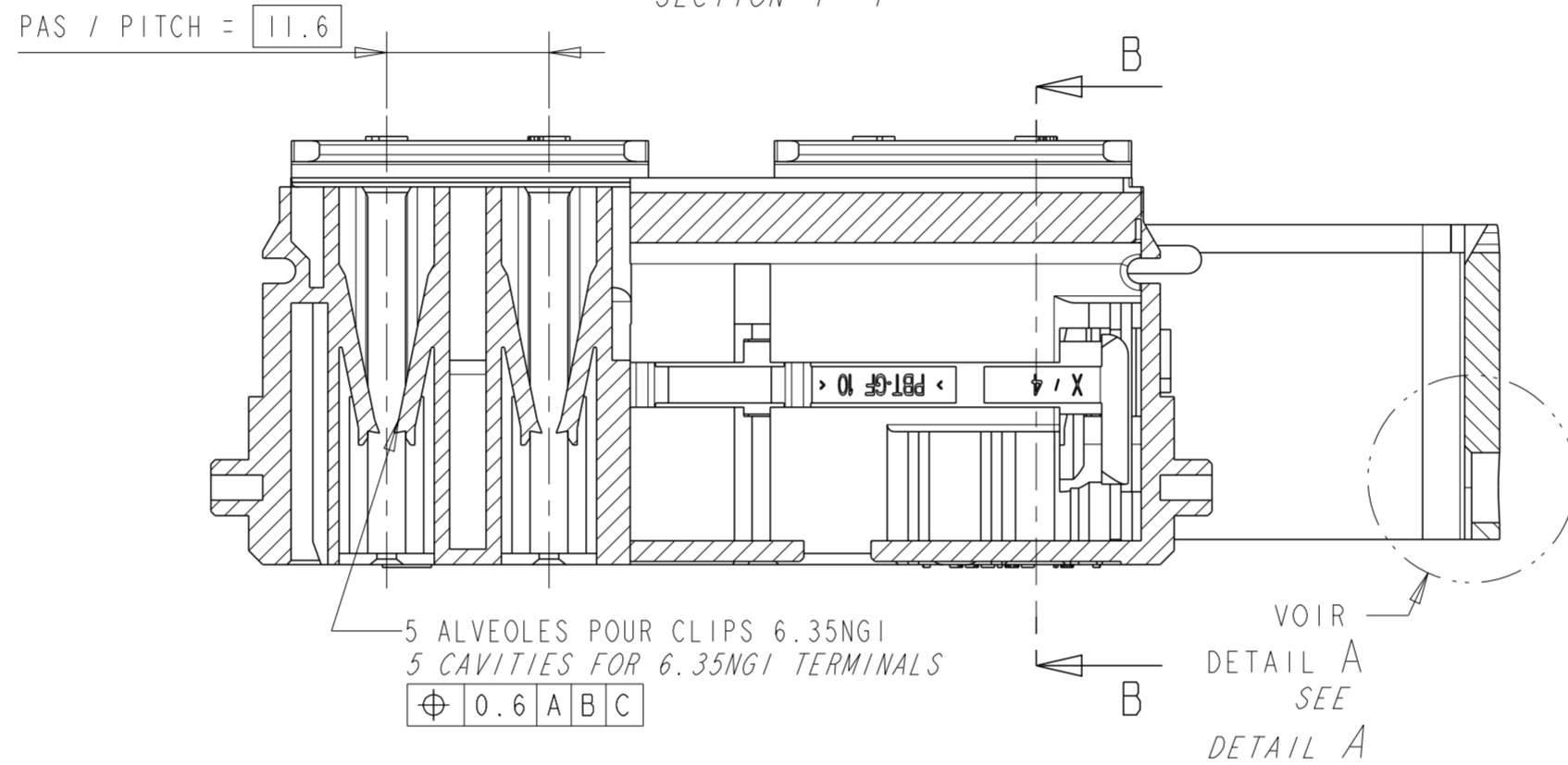
REVISIONS					
P	LTR	DESCRIPTION MODIFICATIONS	DATE	DWN DESS.	APVD APP.
C		UPDATE 3D VIEW OF COMPONENT "B"	10AUG2011	PF s	JD r
D		ADDED POSSIBLE FORMS IN SLIDER	08NOV2017	ASB	SA
E		CORRECTION IN ZONE A4 AND B2	20FEB2018	ASB	SA
F		ADDED NOTE IN ZONE B1	23OCT2018	ASB	GKT



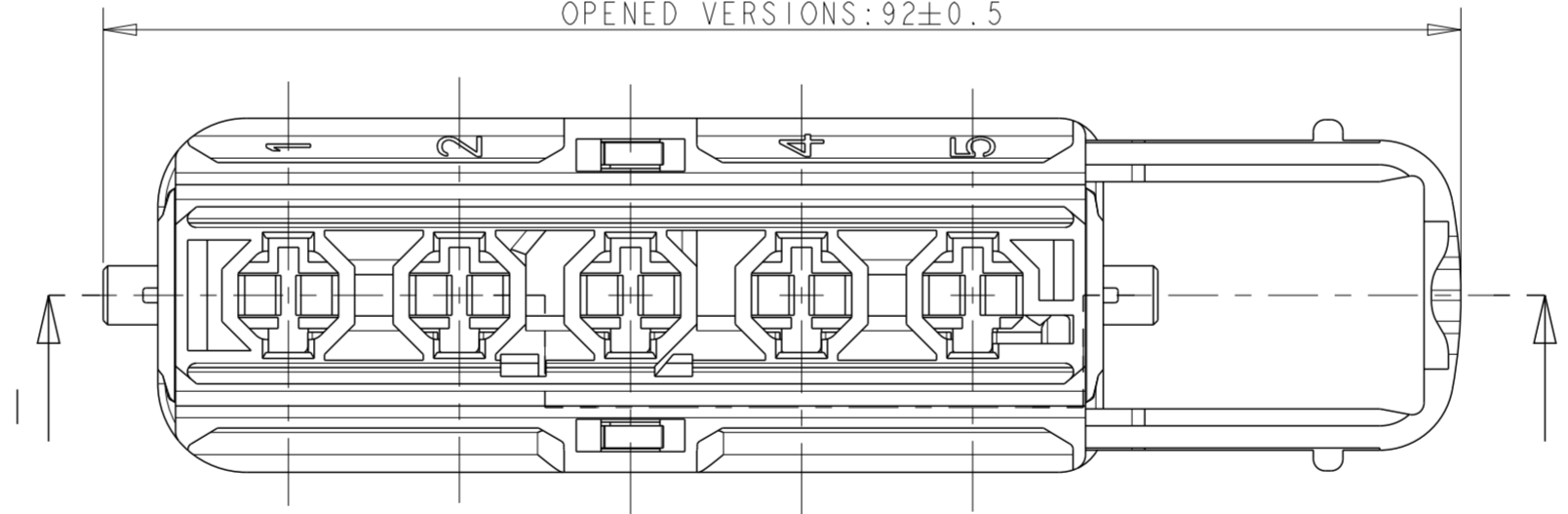
SECTION B-B



SECTION 1-1



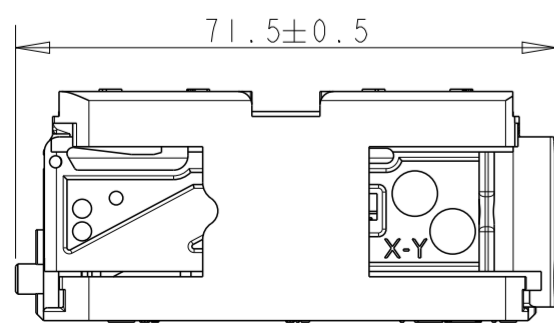
OPENED VERSIONS: 92±0.5



NOTA / NOTE :
 - CONDITIONNEMENT, VOIR 107-15595
 - PACKAGING, SEE 107-15595

- (F) - ETRIER EN POSITION OUVERTE (POSITION PREFERENTIELLE DE LIVRAISON). SI LE ETRIER N'EST PAS DANS CETTE POSITION SUIVRE LES INSTRUCTIONS DE LA NOTICE TECHNIQUE 411-15658
- SLIDE IN OPEN POSITION (PREFERED DELIVERY POSITION). IF THE SLIDE IS NOT IN THIS POSITION, FOLLOW INSTRUCTIONS OF THE APPLICATION SPECIFICATION 411-15658

DIMENSIONS CONNECTEUR FERME
CLOSED CONNECTOR DIMENSIONS

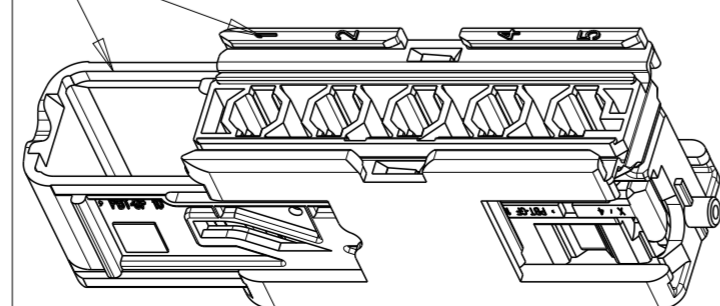


SCALE 1:1

REFERENCES / PART NUMBER

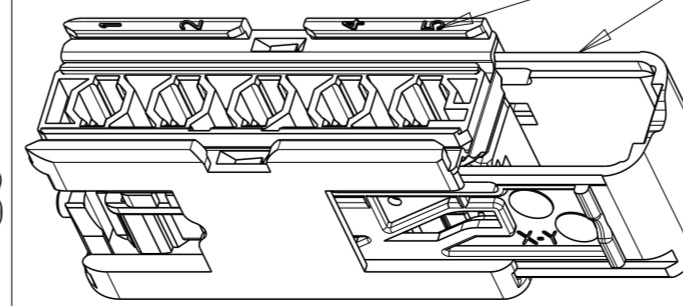
1544551-2

ETRIER OUVERT DU COTE REPERE 1
 SLIDER OPENED IN CAVITY NUMBER 1 SIDE



1544551-1

ETRIER OUVERT DU COTE REPERE 5
 SLIDER OPENED IN CAVITY NUMBER 5 SIDE



THIS DRAWING IS A CONTROLLED DOCUMENT. / CE PLAN EST UN DOCUMENT CONTROLE PAR TYCO ELECTRONICS. IL EST SUSCEPTIBLE D'ETRE REVISE. CONTACTER LE SERVICE TECHNIQUE DE TYCO ELECTRONICS POUR OBTENIR LA DERNIERE REVISION.

DIMENSIONS: mm

TOLERANCES UNLESS OTHERWISE SPECIFIED: TOLERANCES NON SPECIFIEES (SUIV NR DE DECIMALES)

±0.2

ANGLES

FINISH/FINITION

MATERIAL/MATIERE: SEE TABLE

REPERE / REPERE	DESIGNATION / DESCRIPTION	MATIERE / MATERIAL	COULEUR / COLOUR	Qty. / Qty.
C	VERROU SECONDAIRE / SECONDARY LOCKING	PBT GF10	JAUNE / YELLOW	1
B	ETRIER / SLIDER	PBT GF10	GRIS / GREY	1
A	PORTE CLIPS / TERMINAL RECEPTACLE HOUSING	PBT GF10	NOIR / BLACK	1

DWN / DESSINE: P. FLORES	14 JUN 02	TE Connectivity	NAME / TITRE: CONNECTEUR 5V CLIPS 6.35NGI CONNECTOR 5 WAY FOR 6.35NGI TERMINAL
CHK / VERIFIE: C. GINET	14 JUN 02		
APVD / APPROUVE: J. DAHER	14 JUN 02	SIZE / FORMAT: A2	CAGE CODE: 00779
PRODUCT SPEC: 108-15368		DRAWING NO: 1544551	RESTRICTED TO RESERVE A
APPLICATION SPEC: 411-15658		WEIGHT / MASSE APPROX.: 0.027 kg	
CUSTOMER DRAWING / PLAN CLIENT	UNIQUEMENT POUR REFERENCE	SCALE / ECHELLE: 2:1	SHEET / FEUILLE: OF 1

X-ON Electronics

Largest Supplier of Electrical and Electronic Components

Click to view similar products for [Automotive Connectors](#) category:

Click to view products by [TE Connectivity](#) manufacturer:

Other Similar products are found below :

[003-018-000](#) [60403001](#) [60993906-B](#) [M902-2131](#) [M902-2161](#) [M902-2344](#) [72.330.1035.1](#) [73.353.4028.0](#) [F119300-B](#) [F166900](#) [F258300-B](#)
[F358300-B](#) [F407400](#) [F444110](#) [F487000](#) [F509500B-B](#) [827153-1](#) [8N1515-32-24P](#) [9-1326729-8](#) [925474-1](#) [928905-1](#) [964562-4](#) [968782-1](#)
[GT17SA-8DS-HU](#) [98891-1012](#) [98947-1016](#) [12004147](#) [12004475-L](#) [12010290](#) [12010309-B](#) [12015454](#) [12020219-B](#) [12041318-B](#) [12052225-](#)
[L](#) [12052466](#) [12064869](#) [12004327-B](#) [12015308](#) [12015384](#) [12015909](#) [1-21030-1](#) [12041254](#) [12041318](#) [12047946-B](#) [12047957](#) [12047957-L](#)
[12059473](#) [12066261](#) [12110546](#) [12110546-B](#)