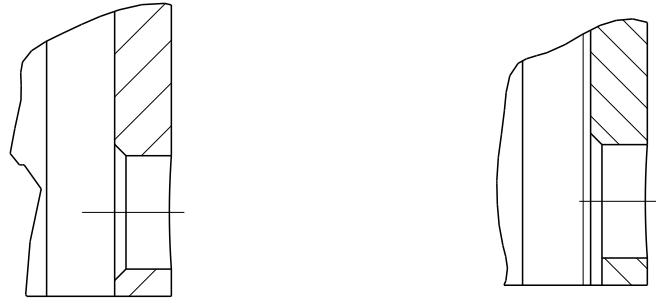
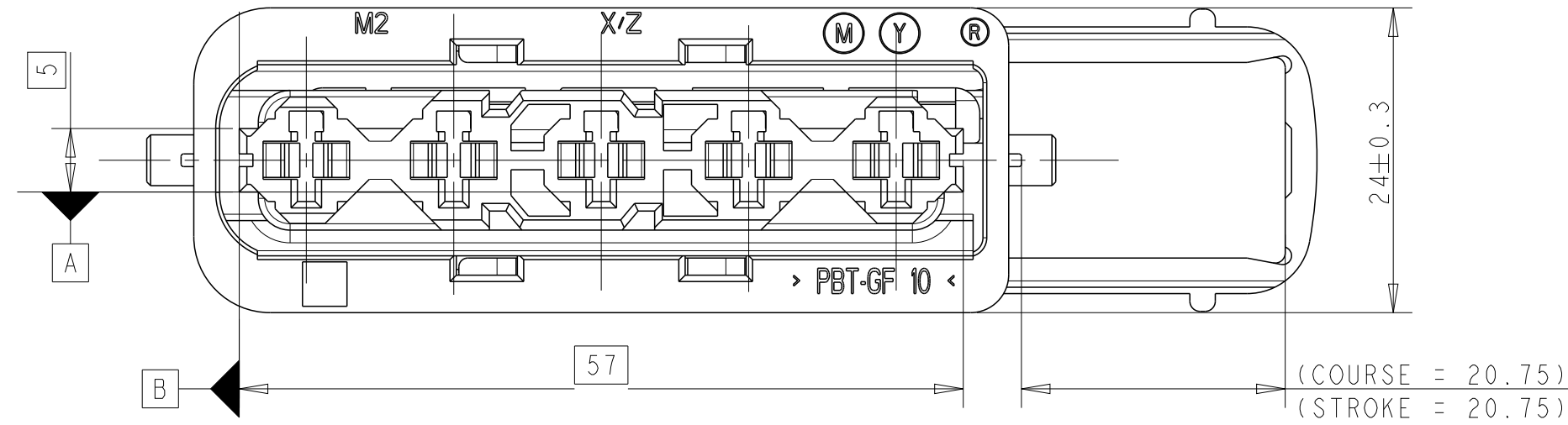


**FORMES POSSIBLES DANS ETRIER**  
**POSSIBLE FORMS IN SLIDER**

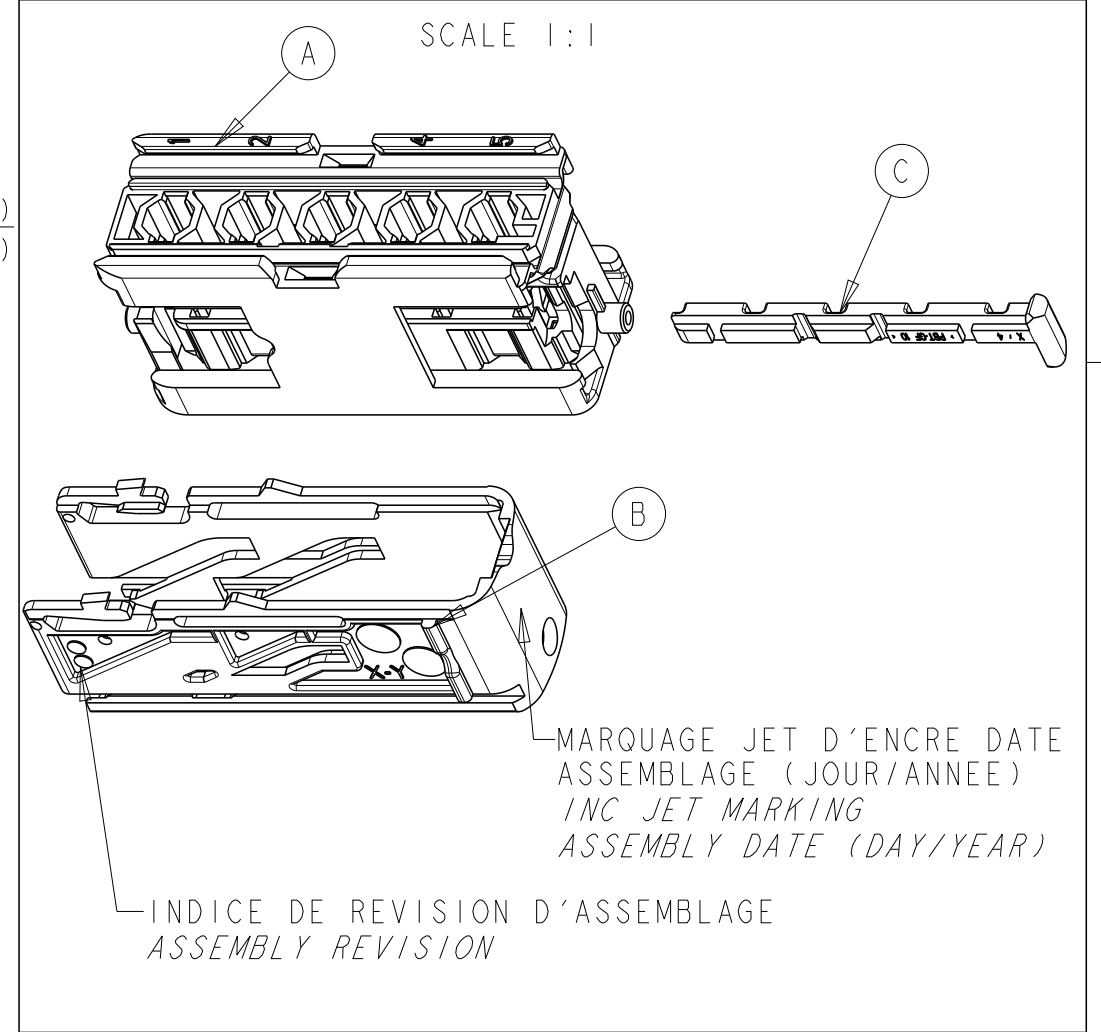


DETAIL A  
 SCALE 3:1

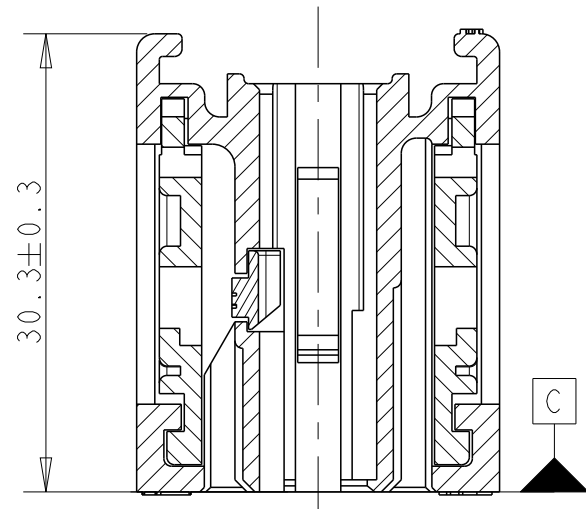


REVISIONS					
P	LTR	DESCRIPTION MODIFICATIONS	DATE	DWN DESS.	APVD APP.
C		UPDATE 3D VIEW OF COMPONENT "B"	10AUG2011	PF s	JD r
D		ADDED POSSIBLE FORMS IN SLIDER	08NOV2017	ASB	SA
E		CORRECTION IN ZONE A4 AND B2	20FEB2018	ASB	SA
F		ADDED NOTE IN ZONE B1	23OCT2018	ASB	GKT

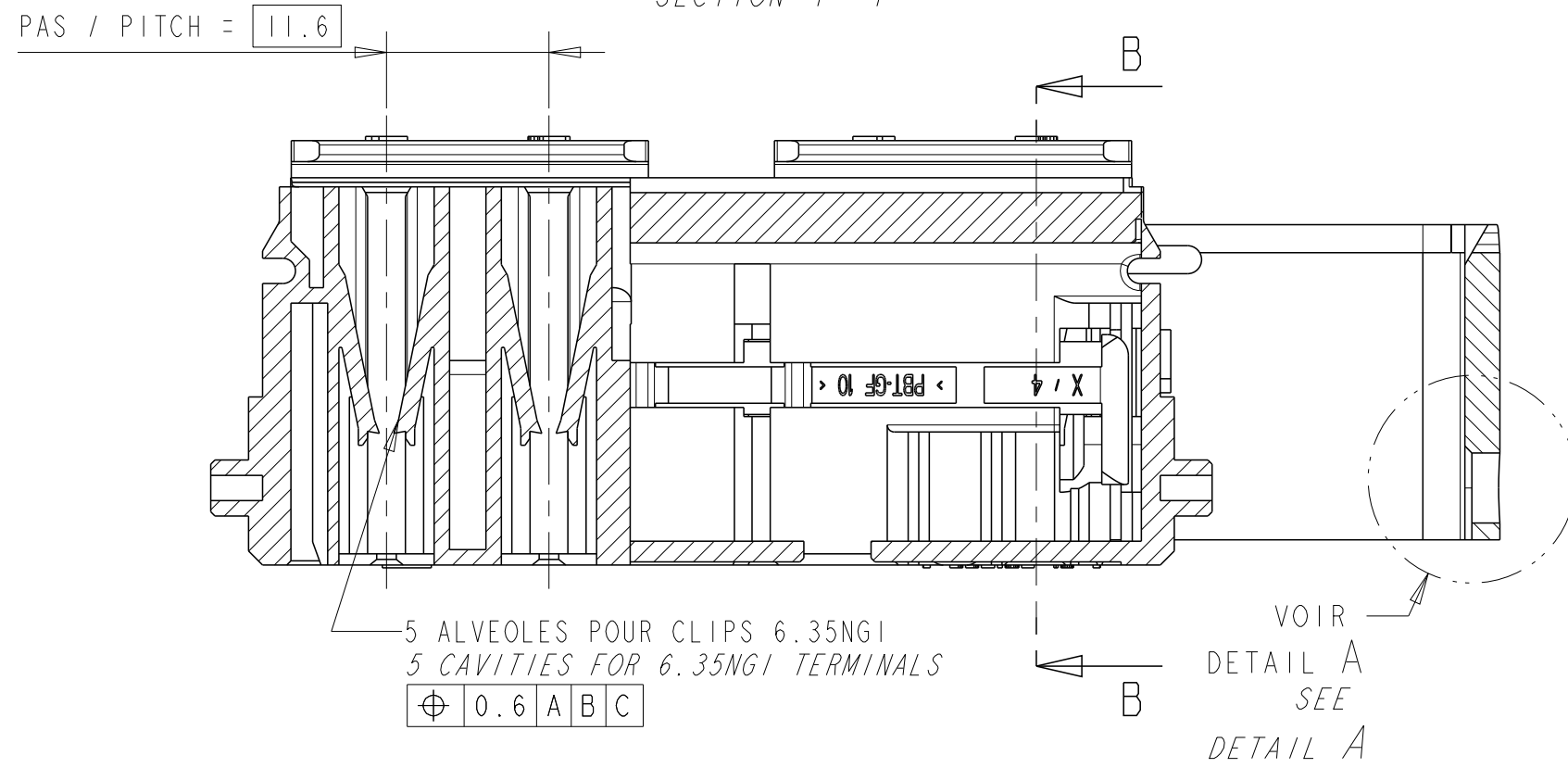
SCALE 1:1



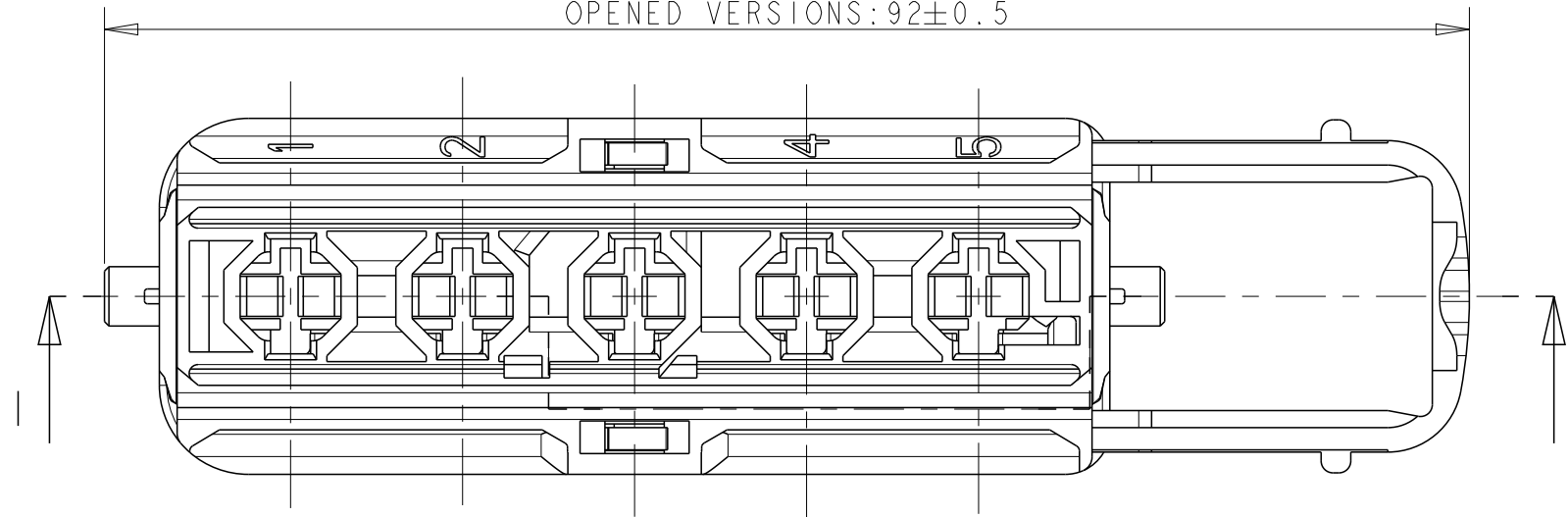
SECTION B-B



SECTION 1-1



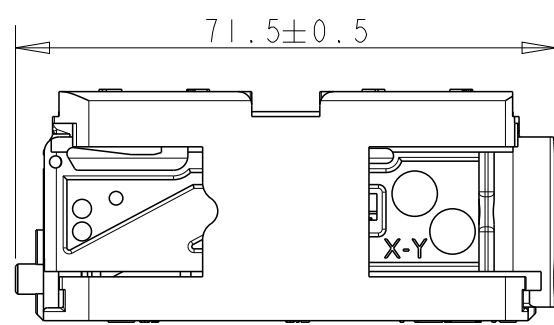
OPENED VERSIONS: 92±0.5



NOTA / NOTE :  
 - CONDITIONNEMENT, VOIR 107-15595  
 - PACKAGING, SEE 107-15595

- (F) - ETRIER EN POSITION OUVERTE (POSITION PREFERENTIELLE DE LIVRAISON). SI LE ETRIER N'EST PAS DANS CETTE POSITION SUIVRE LES INSTRUCTIONS DE LA NOTICE TECHNIQUE 411-15658
- SLIDE IN OPEN POSITION (PREFERED DELIVERY POSITION). IF THE SLIDE IS NOT IN THIS POSITION, FOLLOW INSTRUCTIONS OF THE APPLICATION SPECIFICATION 411-15658

**DIMENSIONS CONNECTEUR FERME**  
**CLOSED CONNECTOR DIMENSIONS**



SCALE 1:1

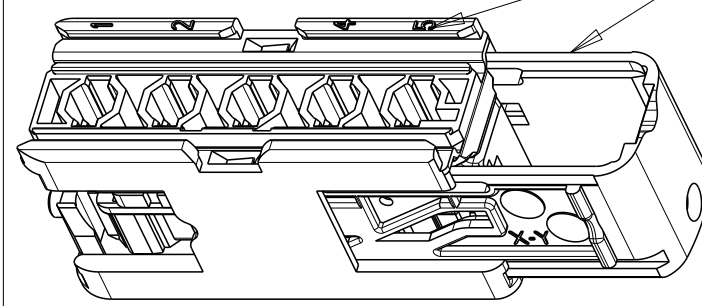
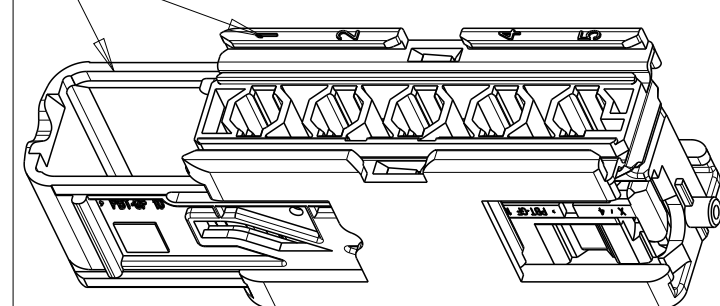
**REFERENCES / PART NUMBER**

1544551-2

1544551-1

ETRIER OUVERT DU COTE REPERE 1  
 SLIDER OPENED IN CAVITY NUMBER 1 SIDE

ETRIER OUVERT DU COTE REPERE 5  
 SLIDER OPENED IN CAVITY NUMBER 5 SIDE



THIS DRAWING IS A CONTROLLED DOCUMENT. / CE PLAN EST UN DOCUMENT CONTROLE PAR TYCO ELECTRONICS. IL EST SUSCEPTIBLE D'ETRE REVISE. CONTACTER LE SERVICE TECHNIQUE DE TYCO ELECTRONICS POUR OBTENIR LA DERNIERE REVISION.

DIMENSIONS: mm

TOLERANCES UNLESS OTHERWISE SPECIFIED: TOLERANCES NON SPECIFIEES (SUIV NR DE DECIMALES)

±0.2

ANGLES

FINISH/FINITION

MATERIAL/MATIERE: SEE TABLE

DWN /DESSINE	14JUN02
P. FLORES	
CHK /VERIFIE	14JUN02
C. GINET	
APVD /APPROUVE	14JUN02
J. DAHER	
PRODUCT SPEC	108-15368
SPEC. PRODUIT	
APPLICATION SPEC	411-15658
SPEC. APPLICATION	
WEIGHT	0.027 kg
MASSSE APPROX.	

TE Connectivity	
NAME / TITRE: CONNECTEUR 5V CLIPS 6.35NGI CONNECTOR 5 WAY FOR 6.35NGI TERMINAL	
SIZE FORMAT: A2	CAGE CODE: 00779
DRAWING NO: C-1544551	RESTRICTED TO RESERVE A
CUSTOMER DRAWING /PLAN CLIENT	UNIQUEMENT POUR REFERENCE
SCALE ECHELLE: 2:1	SHEET FEUILLE: OF DE: REV F

## X-ON Electronics

Largest Supplier of Electrical and Electronic Components

*Click to view similar products for [Automotive Connectors](#) category:*

*Click to view products by [TE Connectivity](#) manufacturer:*

Other Similar products are found below :

[003-018-000](#) [60403001](#) [60993906-B](#) [M902-2131](#) [M902-2161](#) [72.330.1035.1](#) [73.353.4028.0](#) [F119300-B](#) [F166900](#) [F258300-B](#) [F358300-B](#)  
[F407400](#) [F444110](#) [F487000](#) [F509500B-B](#) [827153-1](#) [8N1515-32-24P](#) [9-1326729-8](#) [925474-1](#) [928905-1](#) [964562-4](#) [968782-1](#) [GT17SA-8DS-](#)  
[HU](#) [98891-1012](#) [98947-1016](#) [12004147](#) [12004475-L](#) [12010290](#) [12010309-B](#) [12015454](#) [12020219-B](#) [12020308](#) [12041318-B](#) [12052225-L](#)  
[12052466](#) [12059125](#) [12064869](#) [12004327-B](#) [12010503-B](#) [12015308](#) [12015384](#) [12015909](#) [1-21030-1](#) [12041254](#) [12041318](#) [12047946-B](#)  
[12047957](#) [12047957-L](#) [12059473](#) [12066261](#)