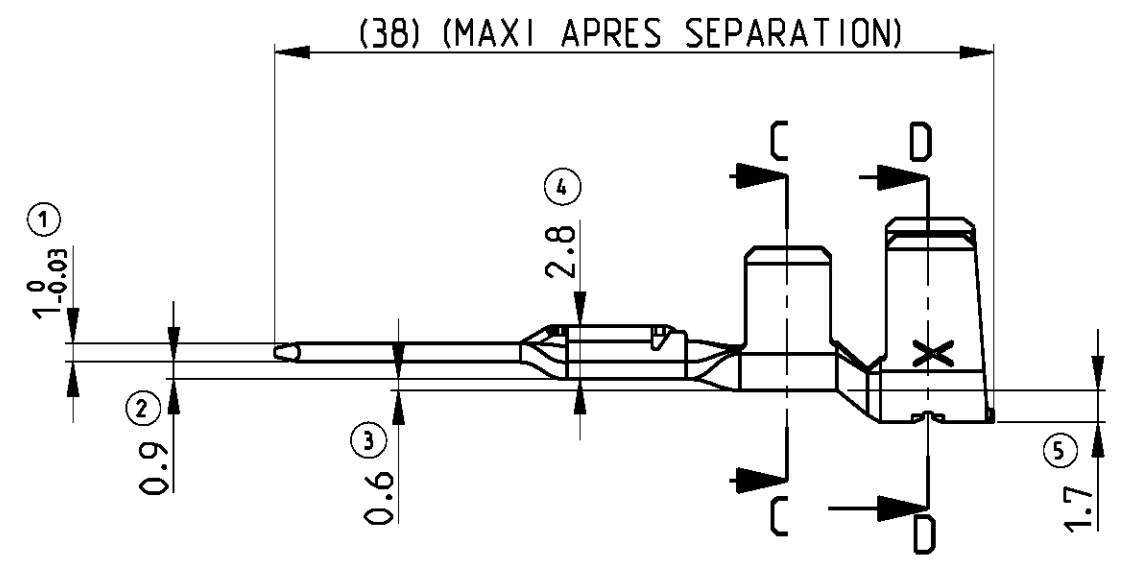
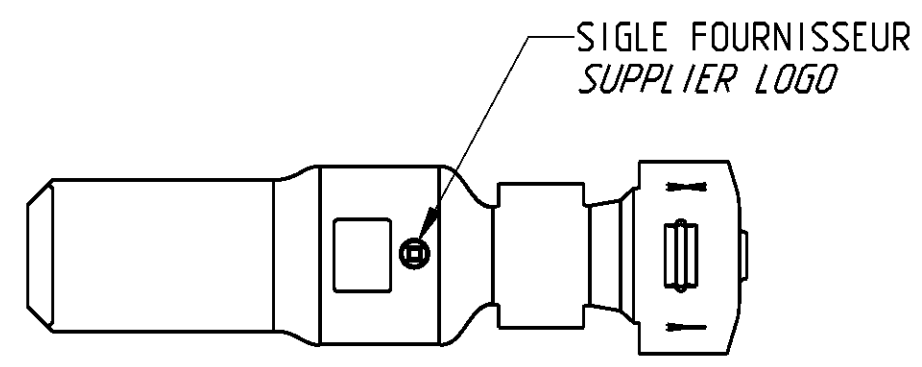
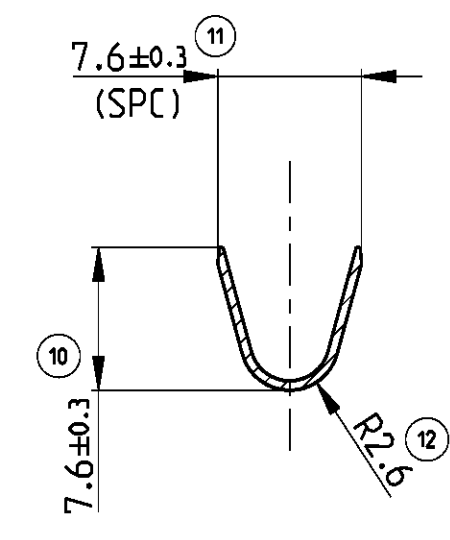


THIS DRAWING IS UNPUBLISHED. DIFFUSION RESTREINTE. RELEASED FOR PUBLICATION LIBRE A LA DIFFUSION. 2010. BY TYCO ELECTRONICS CORPORATION. ALL INTERNATIONAL RIGHTS RESERVED. TOUS DROITS INTERNATIONAUX RESERVES.

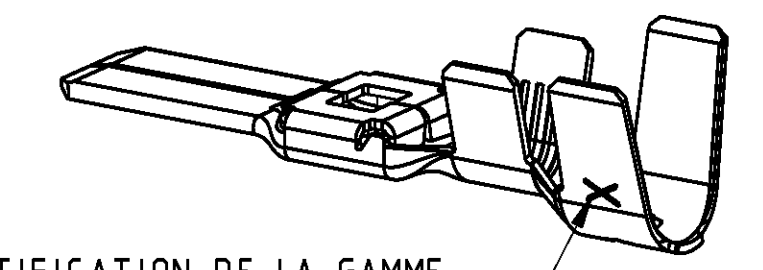
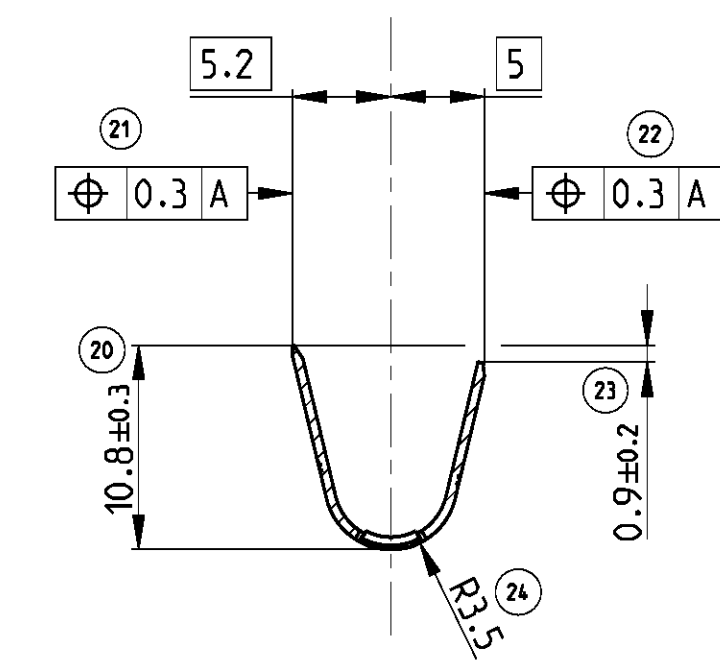
LOC	DIST	REVISIONS			
P	LTR	DESCRIPTION MODIFICATIONS	DATE	DWN DESS.	APVD APP.
-	00				



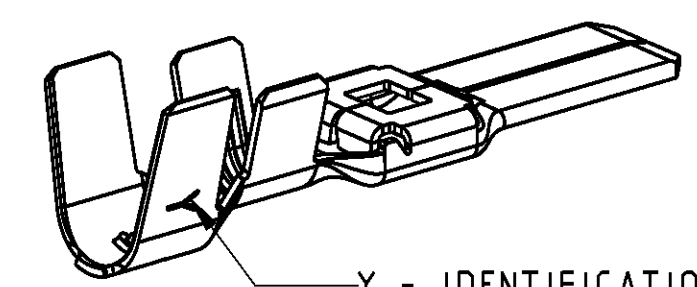
COUPE C-C SECTION C-C



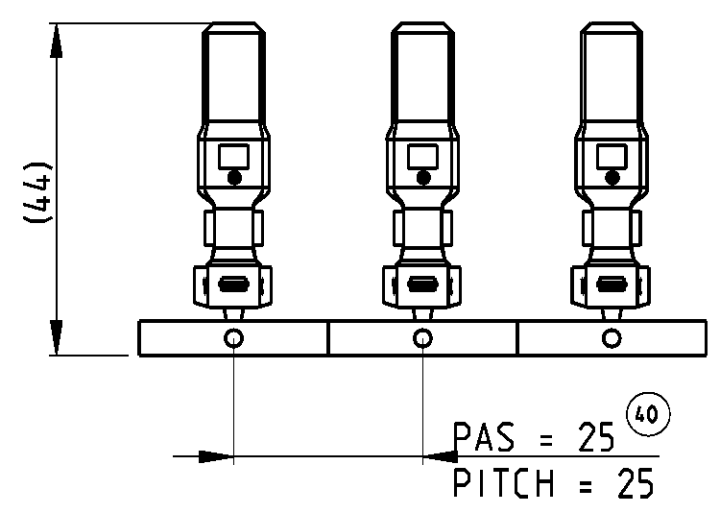
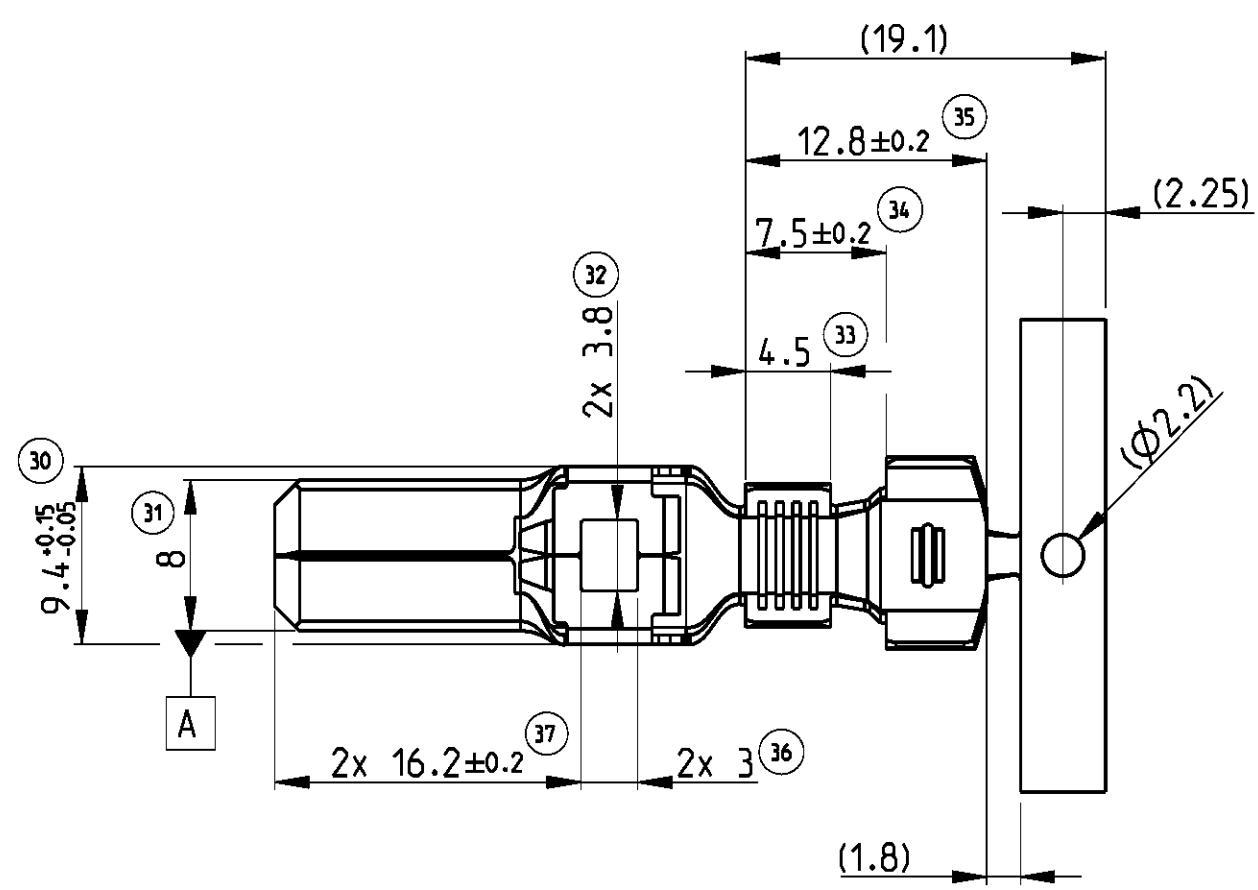
COUPE D-D SECTION D-D



IDENTIFICATION DE LA GAMME "C" = DE 7 A 10 MM2
WIRE RANGE IDENTIFICATION "C" = FROM 7 TO 10 MM2



Y = IDENTIFICATION MATIERE EN Cu MICRO ALLIEE, VOIR TABLEAU
Y = MATERIAL IN Cu MICRO ALLOY SEE DESCRIPTION IN TABLE



NOTA		NOTES	
1	(X) = POUR INFORMATION	1	(X) = FOR INFORMATION
2	CONDITIONNEMENT : VOIR SPECIFICATION 107-15603	2	PACKAGING : SEE SPECIFICATION 107-15603
3	SPC = DIMENSION SUIVIE EN SPC	3	SPC = DIMENSION WITH MANUFACTURING CONTROL

REFERENCE / PN TYCO Electronics	REFERENCE CLIENT PN CUSTOMER	Y : REPERE MATIERE MATERIAL REPERE	MATIERE MATERIAL	TRAITEMENT DE SURFACE HEAT TREATMENT
1544969-1		S	CuSnMg SELON SPECIFICATION: 100-421 H02	PRE-ETAME SnAg DE 1 A 3µ SELON SPECIFICATION 112-73-2 PRE-TINNED SnAg FROM 1 TO 3µ ACCORDING SPECIFICATION 112-73-2
1544969-2		T	CuSnMg ACCORDING TO SPECIFICATION: 100-421 H02	PRE-ARGENTE Ag DE 1 A 3µ SELON SPECIFICATIONS 212-7, 112-32 ET 118-91 PRE-SILVERED Ag FROM 1 TO 3µ ACCORDING SPECIFICATIONS 212-7, 112-32 AND 118-91

PRODUIT ASSOCIE / APPLIED PRODUCT			
DESIGNATION DES JOINTS SEALS DESCRIPTION	REFERENCE / PN TYCO Electronics	REFERENCE / PN CUSTOMER	COULEUR COLOR
JOINT UNIFILAIRE NG9K 6 A 7 MM2 NG9K SINGLE WIRE SEAL 6 TO 7 MM2	1544970-2		BLEU / BLUE
JOINT UNIFILAIRE NG9K 10 MM2 NG9K SINGLE WIRE SEAL 10 MM2	1544970-3		JAUNE / YELLOW
INTERFACE MONTABILITE / INTERFACE CAVITY			
	1801558		

THIS DRAWING IS A CONTROLLED DOCUMENT FOR TYCO ELECTRONICS CORPORATION. IT IS SUBJECT TO CHANGE AND THE CONTROLLING ENGINEERING ORGANIZATION SHOULD BE CONTACTED FOR THE LATEST REVISION. LE PLAN EST UN DOCUMENT CONTROLÉ PAR AND INCORPORATED. IL EST SUSCEPTIBLE DE CHANGER. CONTACTER LE SERVICE TECHNIQUE D'APPUI DE FRANCE POUR OBTENIR LA DERNIÈRE REVISION.

DIMENSIONS: mm

TOLERANCES UNLESS OTHERWISE SPECIFIED: (SUIVI NB DE DECIMALES)

PLC/DEC ±

2 PLC/DEC ±0.1

B PLC/DEC ±

PLC/DEC ±

ANGLES #2°

MATERIAL FINISH

---SEE TABLE

---SEE TABLE

DWN/DESSINE P.FLORES 01FEB10

CHK/VERIFIE L.C.ORDONELLI 01FEB10

APVD/APPROUE J.DAHER 01FEB10

PRODUCT SPEC 108-15382

SPEC., PRODUIT

APPLICATION SPEC 114-15110

WEIGHT MASSE APPROX. 0.002kg

CUSTOMER DRAWING / PLAN CLIENT

UNIQUEMENT POUR REFERENCE

SCALE ECHELLE 5:2

SHEET FEUILLE 1 OF DE 1

REV A

Tyco Electronics Tyco Electronics France SAS 517, avenue de la Boisse, 73000 Chambéry

NAME TITRE LANGUETTE NG1+ GAMME 7 A 10mm2 NG1+ TAB - WIRE RANGE 7 TO 10mm2

SIZE FORMAT A2

CAGE CODE 00779

DRAWING NO NO PLAN C=1544969

RESTRICTED TO RESERVE A

X-ON Electronics

Largest Supplier of Electrical and Electronic Components

Click to view similar products for [Automotive Connectors](#) category:

Click to view products by [TE Connectivity](#) manufacturer:

Other Similar products are found below :

[003-018-000](#) [60403001](#) [60993906-B](#) [M902-2131](#) [M902-2161](#) [M902-2344](#) [72.330.1035.1](#) [73.353.4028.0](#) [F119300-B](#) [F166900](#) [F258300-B](#)
[F358300-B](#) [F407400](#) [F444110](#) [F487000](#) [F509500B-B](#) [827153-1](#) [8N1515-32-24P](#) [9-1326729-8](#) [925474-1](#) [928905-1](#) [964562-4](#) [968782-1](#)
[GT17SA-8DS-HU](#) [98891-1012](#) [98947-1016](#) [12004147](#) [12004475-L](#) [12010290](#) [12010309-B](#) [12015454](#) [12020219-B](#) [12041318-B](#) [12052225-](#)
[L](#) [12052466](#) [12064869](#) [12004327-B](#) [12015308](#) [12015384](#) [12015909](#) [1-21030-1](#) [12041254](#) [12041318](#) [12047946-B](#) [12047957](#) [12047957-L](#)
[12059473](#) [12066261](#) [12110546](#) [12110546-B](#)