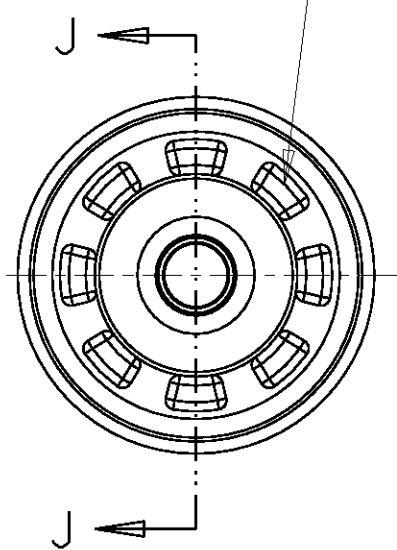
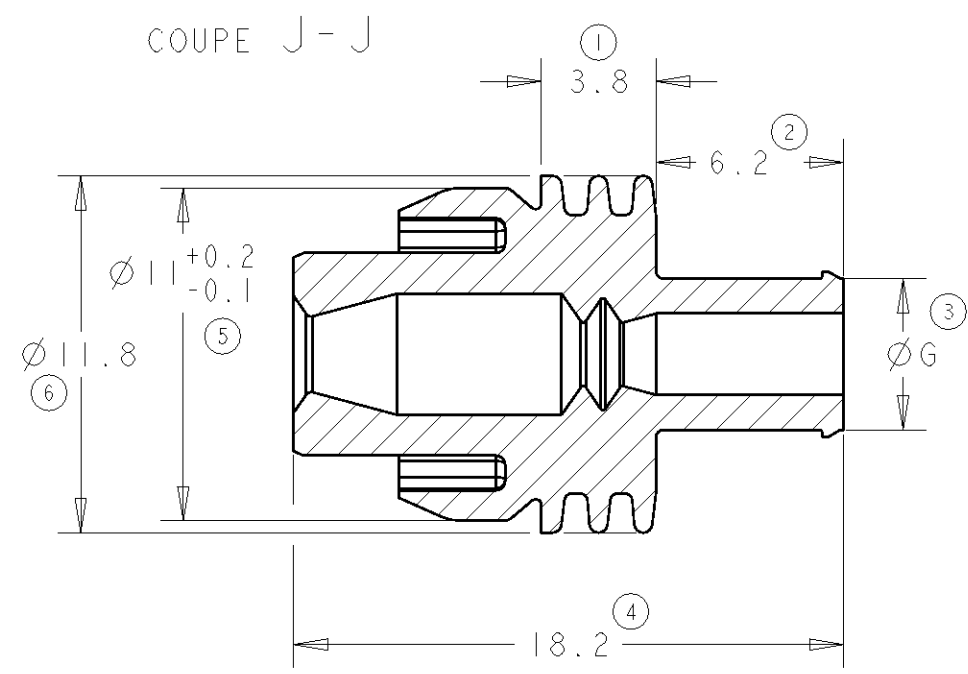


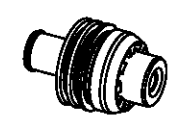
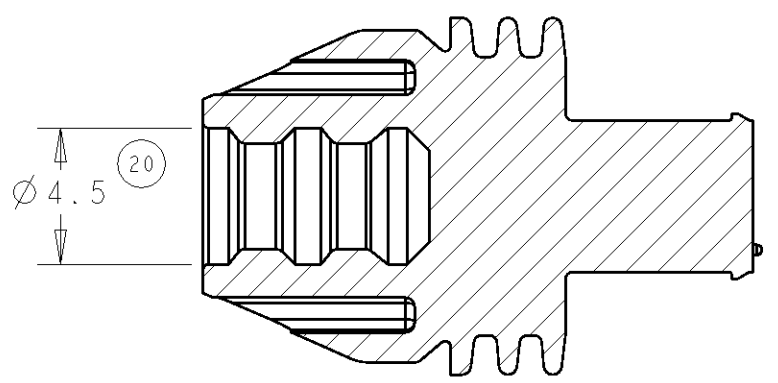
LOC	DIST	REVISIONS			
P	LTR REV	DESCRIPTION MODIFICATIONS	DATE	DWN DESS.	APVD APP.
-	-	A	FIRST ISSUE	08MAR2012	PCs JDr

8 TROUS POUR PN 1544970-1, -2 ET -4
 6 TROUS POUR PN 1544970-3
 8 HOLES FOR PN 1544970-1, -2 AND -4
 6 HOLES FOR PN 1544970-3



DESIGNATION DESCRIPTION	MATIERE MATERIAL (30)	COULEUR COLOR	ØG	REF TE PN TE	MASSE WEIGHT	VIEW SCALE 3:2
JOINT UNIFILAIRE NG9K A SERTIR SINGLE WIRE SEAL NG9K SECTION : 2.5 A (TO) 5 mm2 Ø ISOLANT : 2.65 A 4 mm INSULATOR Ø : 2.65 TO 4 mm		MARRON BROWN	5	1544970-1	0.95g	
JOINT UNIFILAIRE NG9K A SERTIR SINGLE WIRE SEAL NG9K SECTION : 6 A (TO) 7 mm2 Ø ISOLANT : 4.1 A 5 mm INSULATOR Ø : 4.1 TO 5 mm	SILICONE MVQ 50 (AUTOLUBRIFIE) SILICON (SELF-LUBRICATED)	BLEU BLUE	6.4	1544970-2	0.93g	
JOINT UNIFILAIRE NG9K A SERTIR SINGLE WIRE SEAL NG9K SECTION : 10 mm2 Ø ISOLANT : 6 mm MAXI INSULATOR Ø : 6 mm MAXI		JAUNE YELLOW	7.2	1544970-3	0.89g	
BOUCHON NG9K NG9K PLUG	SILICONE MVQ 70 SILICON	BLANC WHITE	5	1544970-4	1.04g	

BOUCHON NG9K
NG9K PLUG



ECHELLE 1:1
SCALE 1:1

NOTES :

- LES LEVRES DU JOINT DOIVENT ETRES EXEMPTES DE BAVURES, COUPURES OU DEFATS D'ASPECT.
- LES SURFACES INTERIEURES DOIVENT ETRES EXEMPTES DE DEFATS, BAVURES, COUPURES OU DEFORMATIONS.
- (X) = POUR INFORMATION
- SEAL MUST NOT PRESENT BURRS, CRACKS OR SURFACES DEFECT.
- THE INSIDE AREAS MUST NOT PRESENT DEFECTS, BURRS, CRACKS OR DEFORMATIONS.
- (X) = FOR INFORMATION

THIS DRAWING IS A CONTROLLED DOCUMENT. CE PLAN EST UN DOCUMENT CONTROLE PAR AMP INCORPORATED. IL EST SUSCEPTIBLE D'ETRE REVISE. CONTACTER LE SERVICE TECHNIQUE D'AMP DE FRANCE POUR OBTENIR LA DERNIERE REVISION.		DWN/DESSINE P. CHARLES 08MAR12	TE Connectivity	
DIMENSIONS : mm		CHK/VERIFIE P. FLORES 08MAR12		
TOLERANCES UNLESS OTHERWISE SPECIFIED: TOLERANCES NON SPECIFIEES (SUJY NB DE DECIMALES): 1. P.L.C. DEC: ±0.15 2. P.L.C. DEC: ± 3. P.L.C. DEC: ± 4. P.L.C. DEC: ± ANGLE ±2°		APVD/APPROUVE J. DAHER 08MAR12	NAME TITRE	
MATERIAL MATIERE SEE TABLE		PRODUCT SPEC SPEC. PRODUIT	JOINT UNIFILAIRE NG9K A SERTIR SINGLE WIRE SEAL NG9K	
FINISH FINITION		APPLICATION SPEC SPEC. APPLICATION 411-15725	SIZE FORMAT A3	CAGE CODE 300779
		WEIGHT MASSE APPROX. SEE TABLE	DRAWING NO No PLAN C=1544970	RESTRICTED TO RESERVE A
		CUSTOMER DRAWING /PLAN CLIENT	UNIQUEMENT POUR REFERENCE	SCALE ECHELLE 4:1
			SHEET FEUILLE 1 OF DE 1	REV A

X-ON Electronics

Largest Supplier of Electrical and Electronic Components

Click to view similar products for [Headers & Wire Housings](#) category:

Click to view products by [TE Connectivity](#) manufacturer:

Other Similar products are found below :

[892-18-020-10-001101](#) [58102-G61-06LF](#) [582553-1](#) [0009485154](#) [009176003701906](#) [0050291907](#) [LY20-4P-DT1-P1E-BR](#) [02.125.8002.8](#)
[609-3404](#) [61062-3](#) [61082-181009](#) [622-3653LF](#) [63453-116](#) [636-1030](#) [636-1427](#) [636-3427](#) [636-4007](#) [641938-9](#) [641991-4](#) [644827-2](#) [65817-](#)
[010LF](#) [65817-015LF](#) [65863-015LF](#) [66207-023LF](#) [67095-007LF](#) [67601157](#) [68645-018](#) [68648-049](#) [70.362.1628.0](#) [70-4210](#) [70-4226B](#) [70-](#)
[4853B](#) [707-5020](#) [707-5028](#) [71.350.2428.0](#) [71918-208LF](#) [71961-016LF](#) [733-134](#) [733-162](#) [754199-000](#) [760-3052](#) [787-8014-00](#) [79531-3000](#)
[FCN-360C032-B](#) [FCN-367T-T012/H](#) [FCN-723D010/2](#) [80.063.4001.1](#) [800-90-001-10-001000](#) [800-90-010-10-002000](#) [801-43-002-10-013000](#)