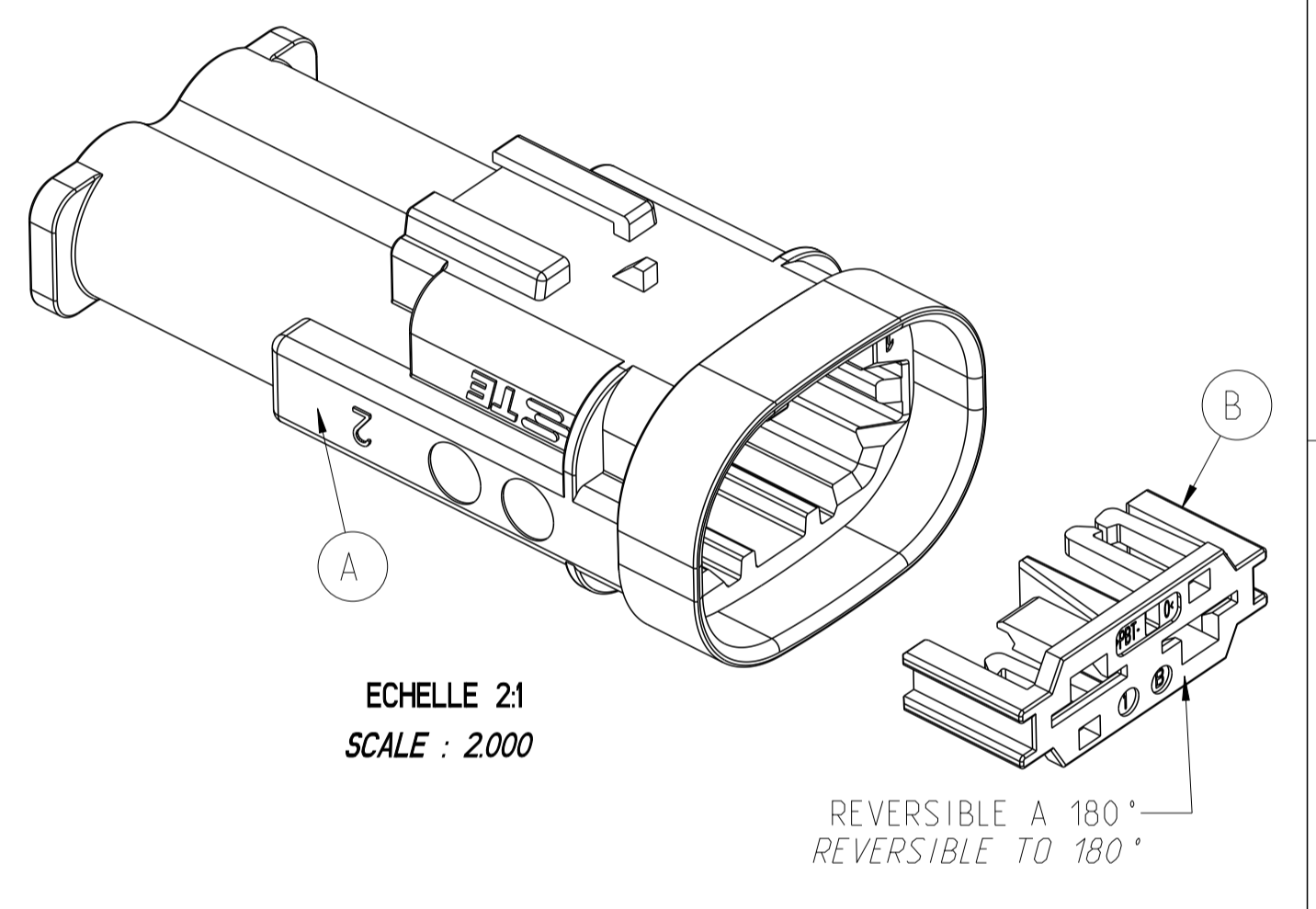
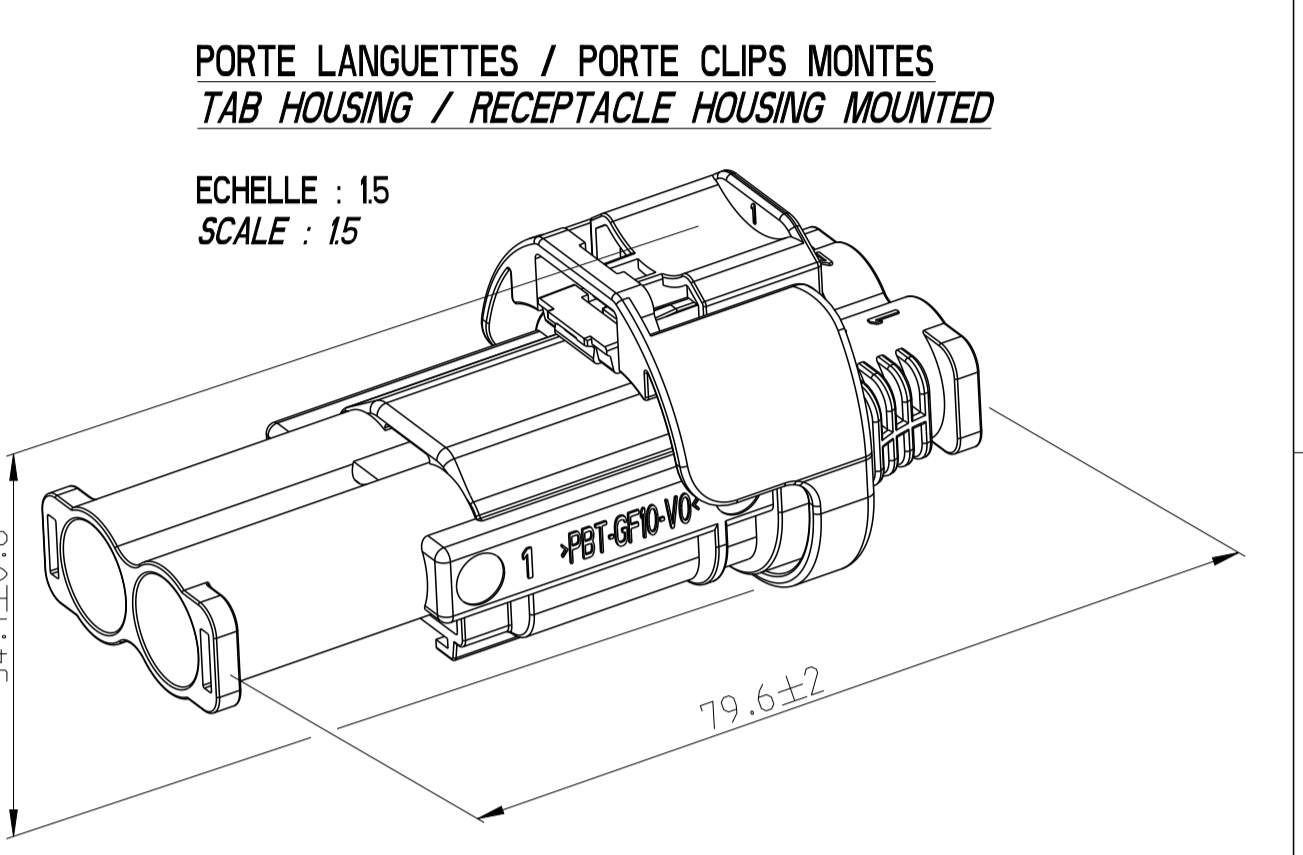
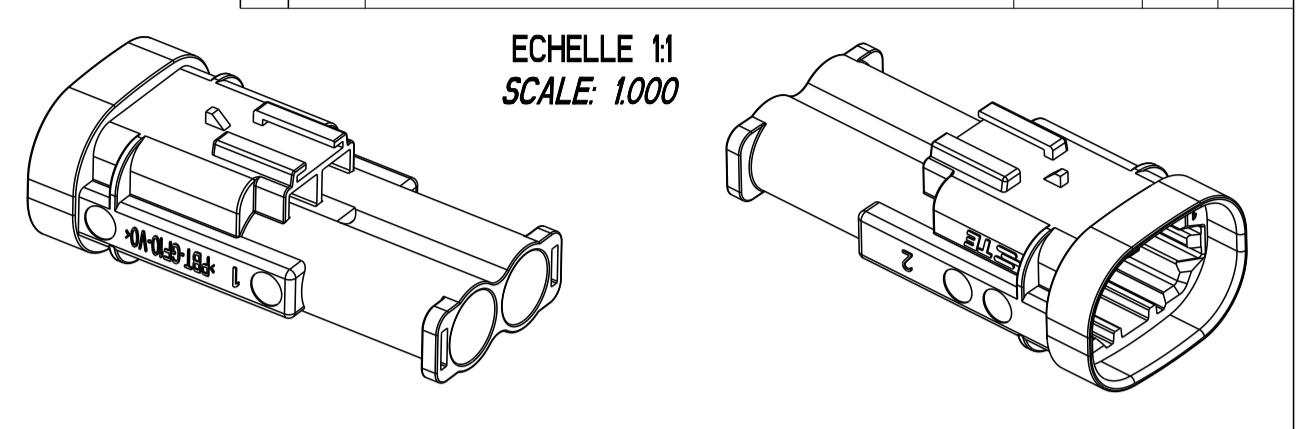


REFERENCES TE POUR CABLES  
TE PART NUMBERS FOR HARNESS MAKERS

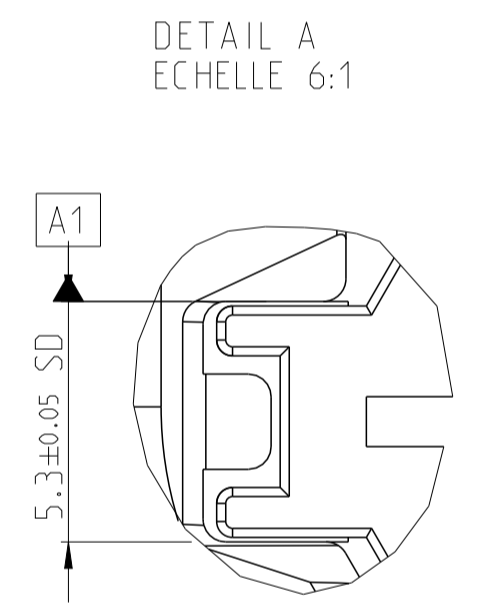
| COMPOSANTS COMPONENTS  | TE REFERENCES | MATIERE MATERIAL  | COULEUR COLOR   |
|--|---------------|---|-----------------|
| LANGUETTE 8MM NG1- SECTION 2.5 A 4 MM2<br>TAB 8MM NG1- SECTION FROM 2.5 TO 4 MM2   | 1544967-1     | CUIVRE MICRO ALLIE + SnAg<br>MICRO ALLOYED COPPER + Sn Ag | /               |
|  | 1544967-2     | CUIVRE MICRO ALLIE + Ag<br>MICRO ALLOYED COPPER + Ag      | /               |
| LANGUETTE 8MM NG1- SECTION 5 A 6 MM2<br>TAB 8MM NG1- SECTION FROM 5 TO 6 MM2   | 1544968-1     | CUIVRE MICRO ALLIE + SnAg<br>MICRO ALLOYED COPPER + SnAg  | /               |
|  | 1544968-2     | CUIVRE MICRO ALLIE + Ag<br>MICRO ALLOYED COPPER + Ag      | /               |
| LANGUETTE 8MM NG1- SECTION 7 A 10 MM2<br>TAB 8MM NG1- SECTION FROM 7 TO 10 MM2   | 1544969-1     | CUIVRE MICRO ALLIE + SnAg<br>MICRO ALLOYED COPPER + SnAg  | /               |
|  | 1544969-2     | CUIVRE MICRO ALLIE + Ag<br>MICRO ALLOYED COPPER + Ag      | /               |
| JOINT NG9K A SERTIR 2.5 A 5 mm2<br>DIAMETRE FIL 2.65 A 4 MM<br>NG9K SEAL 2.5 TO 5 mm2<br>WIRE DIAMETER FROM 2.65 TO 4 MM | 1544970-1     | MVQ 50 Sh A AUTOLUBRIFIE<br>MVQ 50 Sh A SELF-LUBRICATING  | MARRON<br>BROWN |
| JOINT NG9K A SERTIR 6 A 7mm2<br>DIAMETRE FIL 4.1 A 5 MM<br>NG9K SEAL 6 TO 7mm2<br>WIRE DIAMETER FROM 4.1 TO 5 MM         | 1544970-2     | MVQ 50 Sh A AUTOLUBRIFIE<br>MVQ 50 Sh A SELF-LUBRICATING  | BLEU<br>BLUE    |
| JOINT NG9K A SERTIR 10mm2<br>DIAMETRE FIL 4.3 A 6 MM<br>NG9K SEAL 10 MM2<br>WIRE DIAMETER FROM 4.3 TO 6 MM               | 1544970-3     | MVQ 50 Sh A AUTOLUBRIFIE<br>MVQ 50 Sh A SELF-LUBRICATING  | JAUNE<br>YELLOW |
| BOUCHON NG9K<br>NG9K PLUG  | 1544970-4     | MVQ 50 Sh A NON-LUBRIFIE<br>MVQ 50 Sh A NO-LUBRICATING    | BLANC<br>WHITE  |

REVISIONS

| P | LTN | REV | DESCRIPTION     | DATE      | DMN | APPV |
|---|-----|-----|-----------------|-----------|-----|------|
|   | A   |     | INITIAL DRAWING | 16DEC2013 | ABV | SA   |



NOTA / NOTE:  
- COMPATIBLE AU PLAN D'INTERFACE : TE No 1544681  
- IN ACCORDANCE WITH INTERFACE DRAWING : TE No 1544681  
- MSP : COTES SUIVIES EN MSP/SPC DIMENSIONS



|     |     |   |                     |                           |
|-----|-----|---|---------------------|---------------------------|
| B   | 1   | GRILLE DE DETECTION (DV)<br>DETECTION GRID (DV) | PBT 10% FV          | JAUNE<br>YELLOW           |
| A   | 1   | PORTE-LANGUETTE<br>TAB HOUSING                  | PBT 10% FV          | VOIR TABLEAU<br>SEE TABLE |
| REP | QTE | DESIGNATION<br>DESCRIPTION                      | MATIERE<br>MATERIAL | COULEUR<br>COLOR          |

REFERENCES TE ET CODAGES COULEURS ASSOCIES  
TE PART NUMBERS AND ASSOCIATED CODING COLOR

| TE REF       | TE REF      | TE REF      | TE REF       | TE REF          |
|--------------|-------------|-------------|--------------|-----------------|
| 1544980-1    | 1544980-2   | 1544980-3   | 1544980-4    | 1544980-5       |
|              |             |             |              |                 |
| NOIR / BLACK | BLEU / BLUE | GRIS / GREY | VERT / GREEN | VIOLET / PURPLE |

DISPOSITIF DE CODAGES DEFINIS  
SUR PLAN D'INTERFACE : VOIR NOTA  
CODING DEVICE DEFINED  
BY INTERFACE DRAWING : SEE NOTE

THIS DRAWING IS A CONTROLLED DOCUMENT. IT SHALL NOT BE REPRODUCED, COPIED, OR TRANSMITTED IN ANY FORM OR BY ANY MEANS, ELECTRONIC OR MECHANICAL, INCLUDING PHOTOCOPYING, RECORDING, OR BY ANY INFORMATION STORAGE AND RETRIEVAL SYSTEM, WITHOUT THE WRITTEN PERMISSION OF STC.

DMN/DESIGNER: ANIRUDHA B V  
CHK/VERIF: ARAVINDA S  
DATE: 16DEC2013

PRODUCT SPEC: 108-15375  
APPLICATION SPEC: 411-15725

WEIGHT: 14 gr  
MATERIAL: SEE TABLE

Customer Drawing

SCALE: 3:1  
SHEET: 1 OF 1  
REV: A

## X-ON Electronics

Largest Supplier of Electrical and Electronic Components

*Click to view similar products for [Automotive Connectors](#) category:*

*Click to view products by [TE Connectivity](#) manufacturer:*

Other Similar products are found below :

[003-018-000](#) [600858](#) [60403001](#) [60993906-B](#) [60993913-B](#) [629515004020001](#) [M83723/71R1808N L/C](#) [M902-2131](#) [M902-2161](#) [M902-2344](#)  
[72.330.1035.1](#) [73.353.4028.0](#) [F118010](#) [F119300-B](#) [F132210](#) [F166900](#) [F180100](#) [F258300](#) [F258300-B](#) [F294300-B](#) [F339100](#) [F339700](#)  
[F358300-B](#) [F374110](#) [F407400](#) [F412210](#) [F444110](#) [F487000](#) [F495100](#) [F500900-B](#) [F509500B-B](#) [770444-1](#) [827153-1](#) [881735-1](#)  
[8N1515-32-24P](#) [9-1326729-8](#) [925467-1](#) [925474-1](#) [928905-1](#) [936398-2](#) [964562-4](#) [964731-2](#) [968782-1](#) [GT17SA-8DS-HU](#) [GT17VS-10DP-](#)  
[5.2CF](#) [98315-0001](#) [98315-0010](#) [98891-1012](#) [98895-2014](#) [98936-1039](#)