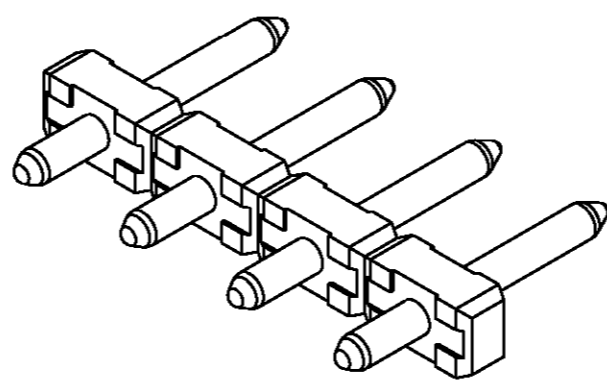
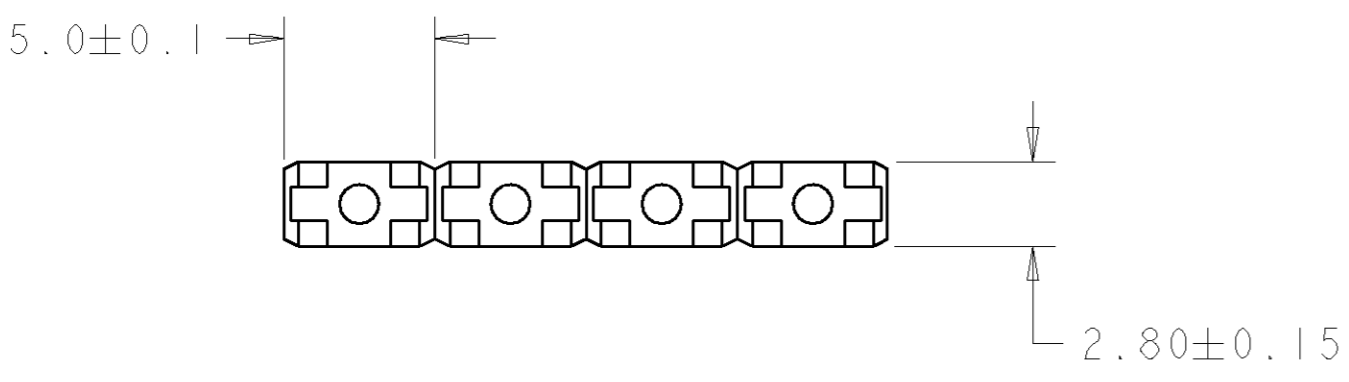
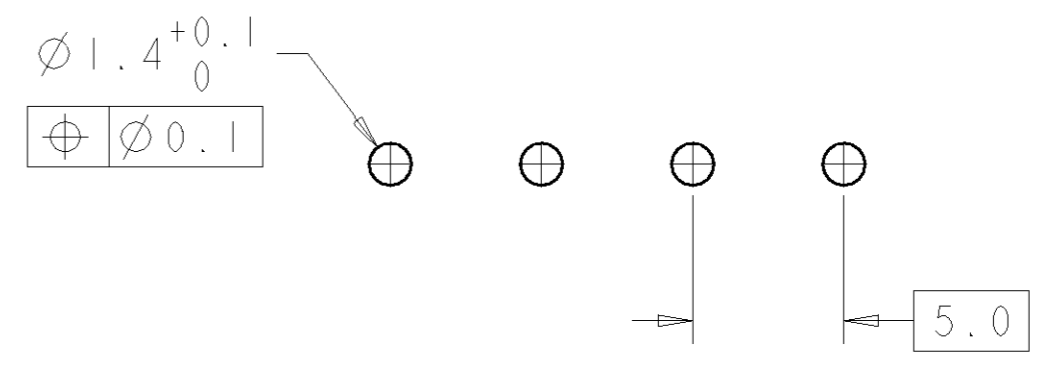


THIS DRAWING IS UNPUBLISHED. RELEASED FOR PUBLICATION 20  
 © COPYRIGHT 20 BY TYCO ELECTRONICS CORPORATION. ALL RIGHTS RESERVED.

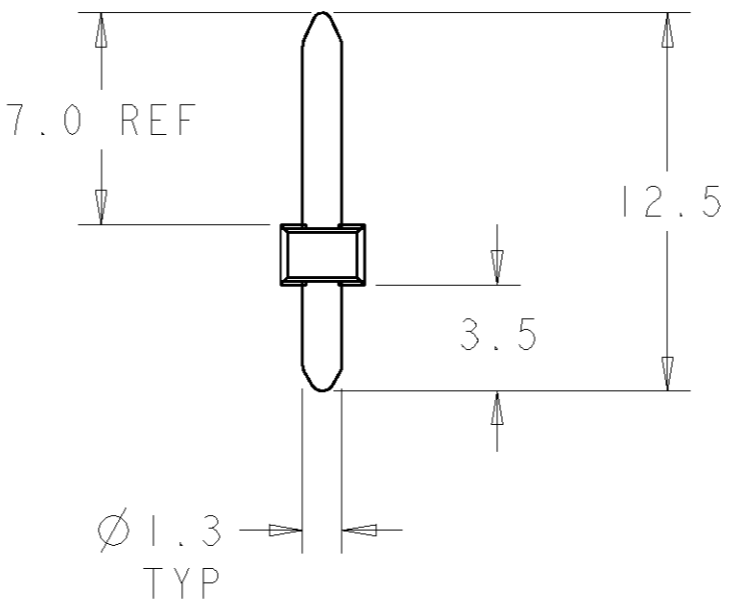
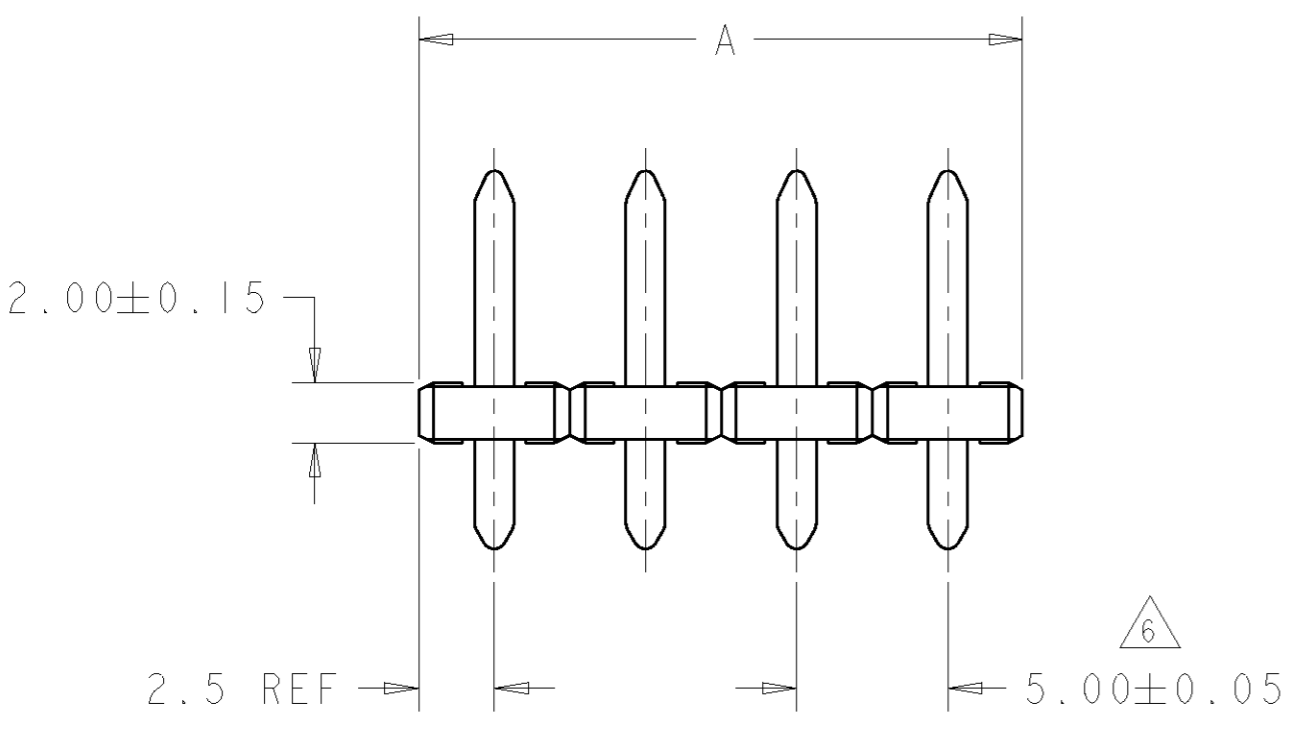
LOC	DIST	REVISIONS			
P	LTR	DESCRIPTION	DATE	DWN	APVD
FT	0	0	RELEASED	08JAN2003	SW CR



1546019-4 AS SHOWN



RECOMMENDED PC BOARD LAYOUT



125	25	2-1546019-5
120	24	2-1546019-4
115	23	2-1546019-3
110	22	2-1546019-2
105	21	2-1546019-1
100	20	2-1546019-0
95	19	1-1546019-9
90	18	1-1546019-8
85	17	1-1546019-7
80	16	1-1546019-6
75	15	1-1546019-5
70	14	1-1546019-4
65	13	1-1546019-3
60	12	1-1546019-2
55	11	1-1546019-1
50	10	1-1546019-0
45	9	1546019-9
40	8	1546019-8
35	7	1546019-7
30	6	1546019-6
25	5	1546019-5
20	4	1546019-4
15	3	1546019-3
10	2	1546019-2
A	NO OF POSN	PART NUMBER

- △ MATERIALS AND FINISH:  
 HOUSING: PA 6-6, UL 94-V0, COLOR: BLACK.  
 TERMINAL: BRASS, TIN PLATED.
- SUITABLE FOR 1,6-2,4mm PC BOARD THICKNESS.
  - END-TO-END STACKABLE WITHOUT LOSS OF CENTERLINE SPACING.
  - RECOGNIZED UNDER THE COMPONENT PROGRAM OF UNDERWRITERS LABORATORIES INC. FILE N° E60677.
  - IMQ CERTIFICATE WITH SURVEILLANCE IN CONFORMITY WITH IEC 998-1/998-2-1.
- △ NOT CUMULATIVE TOLERANCE.

THIS DRAWING IS A CONTROLLED DOCUMENT FOR TYCO ELECTRONICS CORPORATION IT IS SUBJECT TO CHANGE AND THE CONTROLLING ENGINEERING ORGANIZATION SHOULD BE CONTACTED FOR THE LATEST REVISION.		DWN 08JAN2003 S. WELDON CHK 08JAN2003 C. RICHARD APVD 08JAN2003 C. RICHARD	Tyco Electronics Harrisburg, PA 17105-3608
DIMENSIONS: mm	TOLERANCES UNLESS OTHERWISE SPECIFIED: 0 PLC ±.3 1 PLC ±.25 2 PLC ±.25 3 PLC ±.25 4 PLC ±.25 ANGLES ±° FINISH	PRODUCT SPEC 108-20166 APPLICATION SPEC 114-20079 WEIGHT -	NAME TERMINAL BLOCK PIN HEADER UNSHROUDED 5.0 mm PITCH
MATERIAL	△ -	△ -	SIZE A2 CAGE CODE 00779 DRAWING NO. 1546019 RESTRICTED TO -
CUSTOMER DRAWING			SCALE 4:1 SHEET 1 OF 1 REV 0

## X-ON Electronics

Largest Supplier of Electrical and Electronic Components

*Click to view similar products for [Pluggable Terminal Blocks](#) category:*

*Click to view products by [TE Connectivity](#) manufacturer:*

Other Similar products are found below :

[57.510.0053](#) [MC 1.5/ 6-ST-3.5 GY AU](#) [ET02015000J0G](#) [734-104](#) [734-302](#) [8-141-P](#) [8426620000](#) [860505](#) [860516](#) [860810](#) [GBPACX-12](#)  
[93.731.4953.0](#) [PV05-5,08-K](#) [PVP02-5,00](#) [PVP03-3,50](#) [PVP04-3,50](#) [PVS02-5,00](#) [1-1986160-3](#) [1377680000](#) [1531000000](#) [1546228-5](#)  
[ELFH16150](#) [ELFP03110](#) [ELFP10210](#) [ELFT06250](#) [ELVP03100](#) [1700101](#) [1700410](#) [1700425](#) [1702246](#) [1705229](#) [1710175](#) [1714537](#) [1717806](#)  
[1719600](#) [1728941](#) [1734692](#) [1734795](#) [1736036](#) [1740194](#) [1740291](#) [1740628](#) [1740990](#) [1746952](#) [1750207](#) [1752441](#) [1752865](#) [1754115](#)  
[1754144](#) [1756913](#)