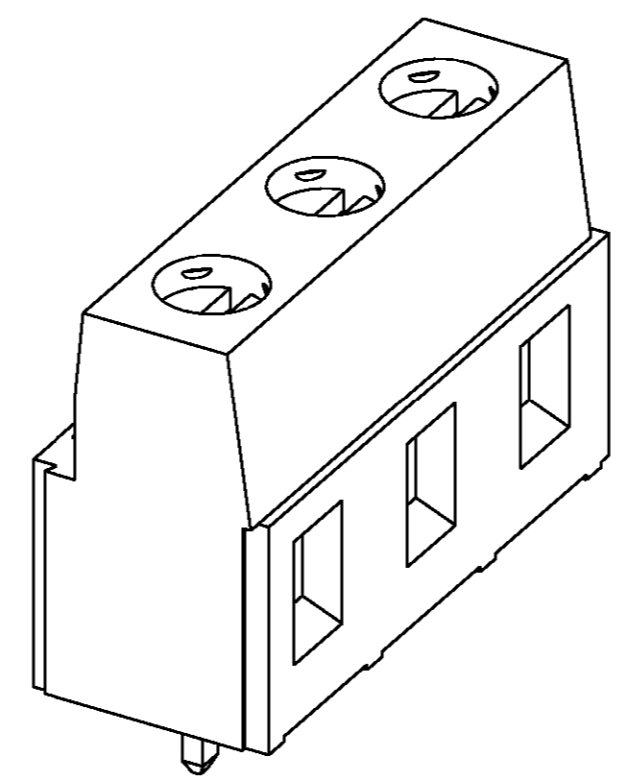
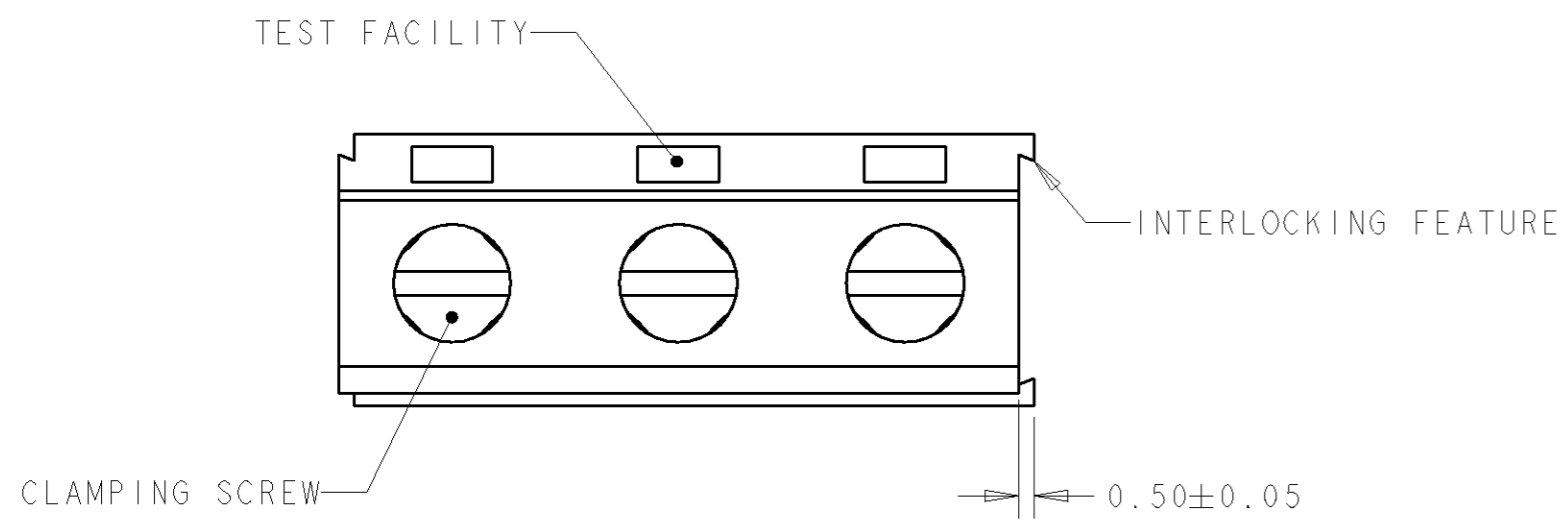


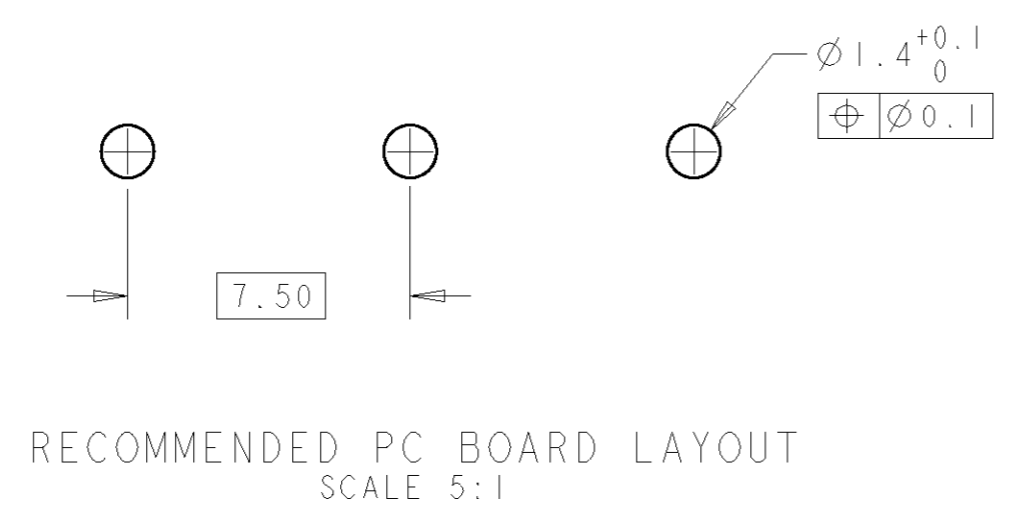
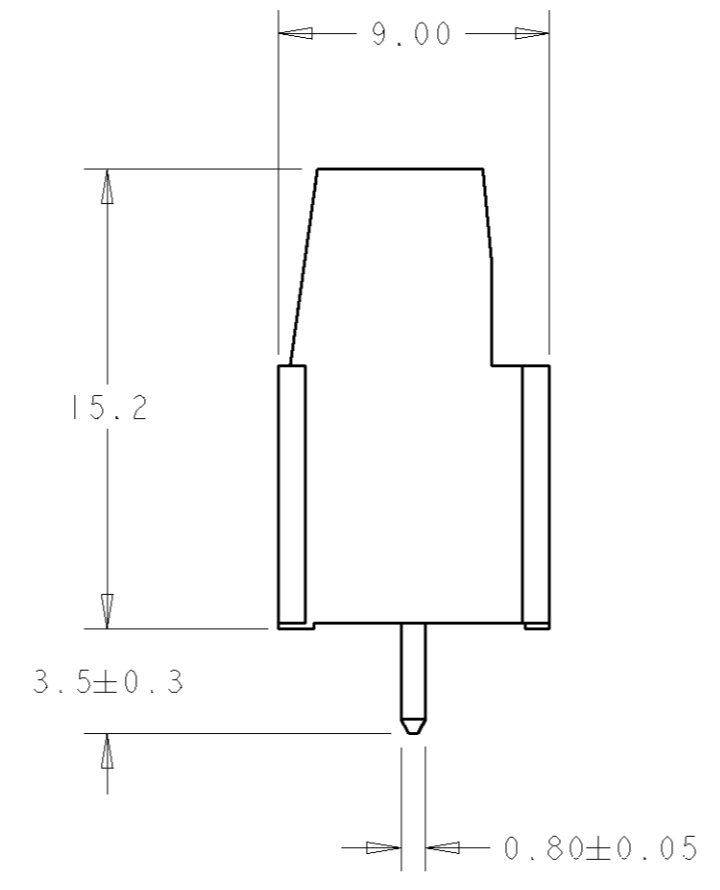
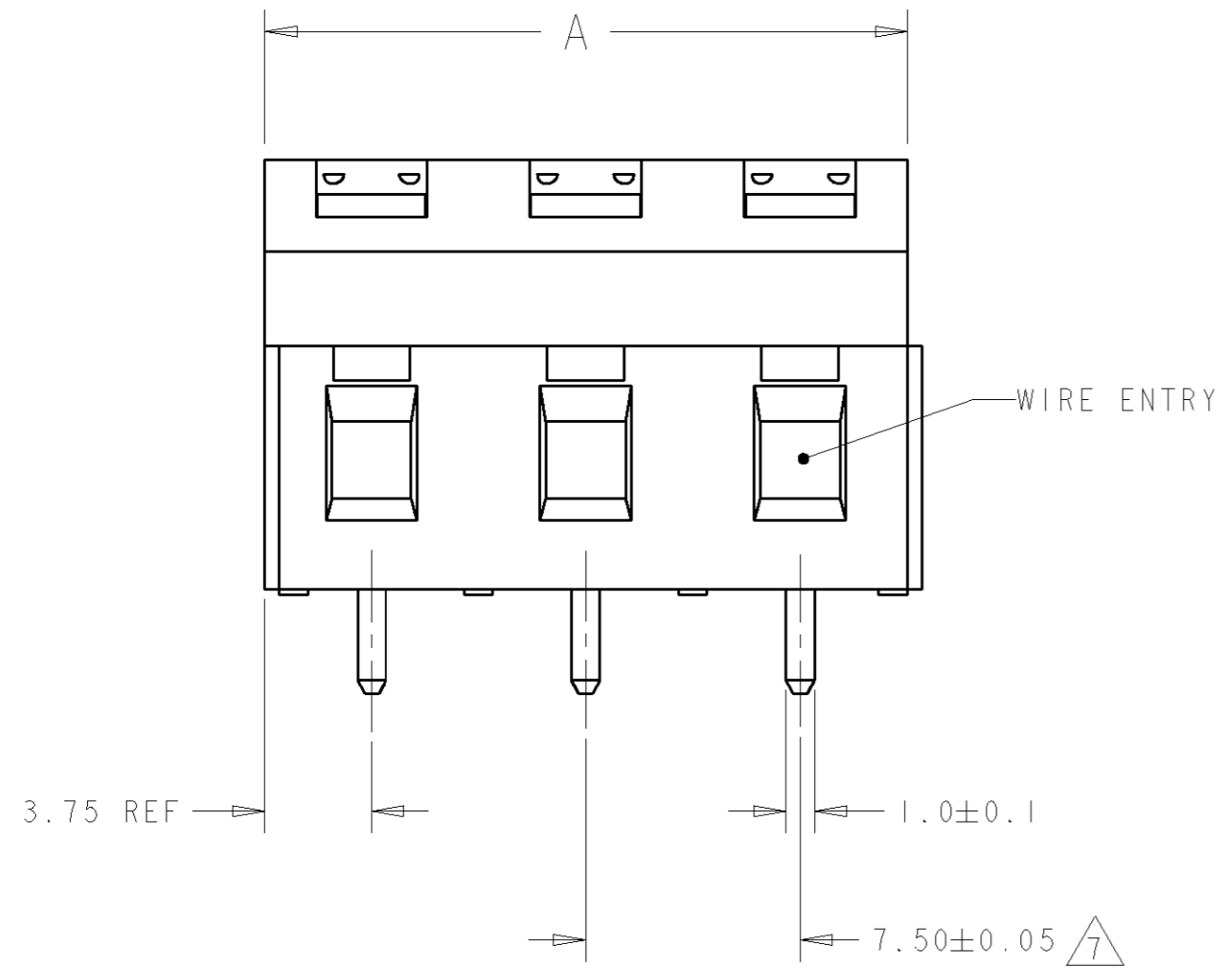
THIS DRAWING IS UNPUBLISHED. RELEASED FOR PUBLICATION 20  
 © COPYRIGHT 20 BY TYCO ELECTRONICS CORPORATION. ALL RIGHTS RESERVED.

LOC	DIST	REVISIONS					
FT	0	P	LTR	DESCRIPTION	DATE	DWN	APVD
		A		RELEASED	04OCT2001	-	-



P/N 1546062-3 AS SHOWN

- 1. MATERIALS AND FINISH:  
 HOUSING: PA 6-6, UL 94-V0, COLOR: BLACK.  
 CLAMP: BRASS, NICKEL PLATED.  
 TERMINAL: BRASS, TIN PLATED.  
 CLAMPING SCREW: M3, BRASS, NICKEL PLATED.
  - 2. SUITABLE FOR 1,6-2,4mm. PCB THICKNESS.
  - 3. END-TO-END STACKABLE W/INTERLOCK WITHOUT LOSS OF CENTERLINE SPACING.
  - 4. WIRE SIZE RANGE  
 SOLID WIRE: 0,03-2,5mm<sup>2</sup> (13AWG)  
 STRANDED WIRE: 0,03-1,5mm<sup>2</sup> (15AWG)
  - 5. RECOGNIZED UNDER THE COMPONENT PROGRAM OF UNDERWRITERS LABORATORIES INC. FILE No E60677.
  - 6. IMQ CERTIFICATE WITH SURVEILLANCE IN CONFORMITY WITH IEC 998-1/998-2-1.
7. NOT CUMULATIVE TOLERANCE.



30.00	4	1546062-4
22.50	3	1546062-3
15.00	2	1546062-2
A	POSN	PART NUMBER

THIS DRAWING IS A CONTROLLED DOCUMENT FOR TYCO ELECTRONICS CORPORATION. IT IS SUBJECT TO CHANGE AND THE CONTROLLING ENGINEERING ORGANIZATION SHOULD BE CONTACTED FOR THE LATEST REVISION.		DWN S. WELDON	04OCT2001	<b>BUCHANAN</b> Tyco Electronics Harrisburg, PA 17105-3608
DIMENSIONS: mm		CHK D. BIEVENOUR	04OCT2001	
TOLERANCES UNLESS OTHERWISE SPECIFIED: 0 PLC ±0 1 PLC ±0.3 2 PLC ±0.25 3 PLC ±0 4 PLC ±0		APVD D. BIEVENOUR	04OCT2001	
ANGLES ±2° FINISH		PRODUCT SPEC	-	
MATERIAL		APPLICATION SPEC	-	NAME TERMINAL BLOCK, PCB MOUNT SIDE ENTRY WIRE, STACKING W/INTERLOCK, 7.5 mm PITCH
CUSTOMER DRAWING		WEIGHT	-	SIZE A2
		SCALE	4:1	CAGE CODE 00779
		SHEET	1	DRAWING NO 1546062
		OF	1	RESTRICTED TO -
		REV	A	

## X-ON Electronics

Largest Supplier of Electrical and Electronic Components

*Click to view similar products for [Fixed Terminal Blocks](#) category:*

*Click to view products by [TE Connectivity](#) manufacturer:*

Other Similar products are found below :

[MBE-1512](#) [MBE-154](#) [MBE-156](#) [MBES-153](#) [MBES-156](#) [MH-2512](#) [MHE-132](#) [MHE-163](#) [MI-254 \(35\)](#) [MI-272](#) [880507](#) [MPT-275](#)  
[15602-04-08-21](#) [ELM023100](#) [BA311TU](#) [BA411SU](#) [MV-152](#) [MV-252-D](#) [MV-253/NCNOC](#) [MV-254-D](#) [MV-255](#) [MV-462](#) [MV-493](#) [MVE-](#)  
[252](#) [MVE-253](#) [MVE-273](#) [MVEB-153](#) [1700096](#) [1705142](#) [1712417](#) [1713020](#) [1713088](#) [1745195](#) [1760594](#) [1776118-2](#) [1790852](#) [1-796689-8](#)  
[1-796692-6](#) [1800001](#) [1800114](#) [1995279](#) [20020314-C121B01LF](#) [CB2-12](#) [KP03215000J0G](#) [KP04215000J0G](#) [S451](#) [282802-2](#) [29.007](#) [29.116](#)  
[30.103](#)