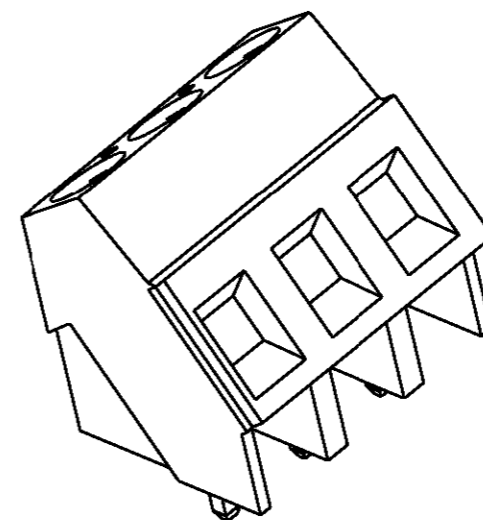
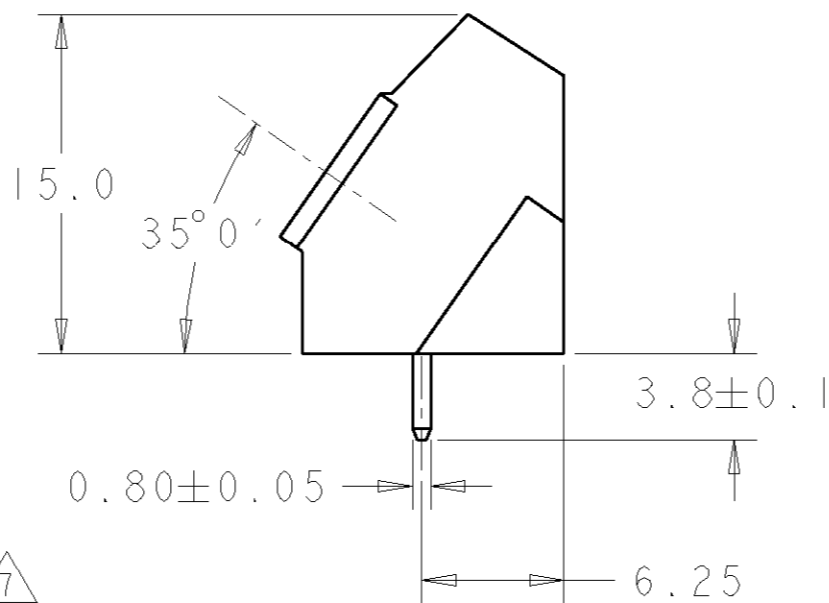
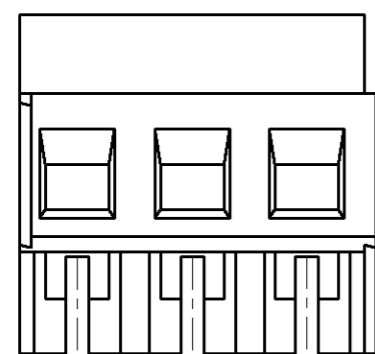
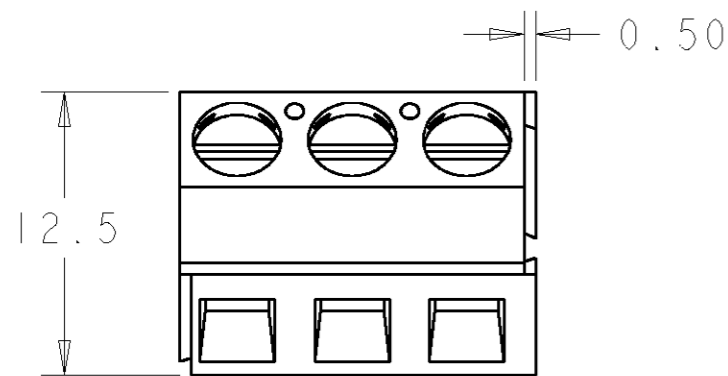


THIS DRAWING IS UNPUBLISHED. RELEASED FOR PUBLICATION

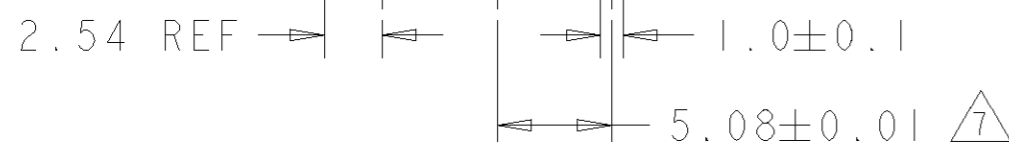
© COPYRIGHT BY ALL RIGHTS RESERVED.

| LOC | DIST | REVISIONS | | | |
|-----|------|-------------|---------------------------|---------|--------|
| P | LTR | DESCRIPTION | DATE | DWN | APVD |
| FT | 0 | C1 | REVISED PER ECO-11-005294 | 03MAY11 | RK HMR |

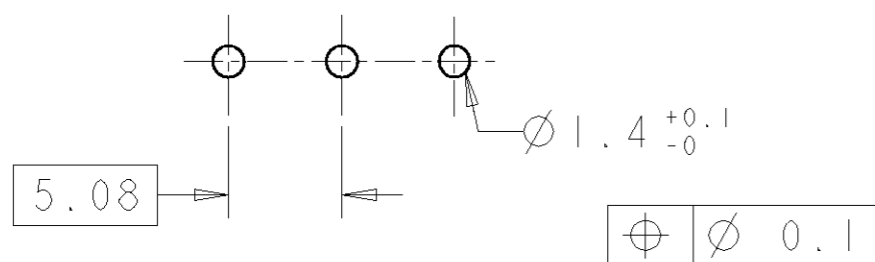
- 1 MATERIALS AND FINISH
HOUSING: PA 6-6, UL 94-V0, COLOR BLACK.
CLAMP: BRASS, NICKEL PLATED.
TERMINAL: BRASS, TIN PLATED.
CLAMPING SCREW: M3, BRASS, NICKEL PLATED.
- 2 SUITABLE FOR 1,6-2,4mm PCB THICKNESS.
- 3 END-TO-END STACKABLE W/INTERLOCK, WITHOUT LOSS OF CENTERLINE SPACING.
- 4 WIRE SIZE RANGE: 12-30 AWG
- 5 RECOGNIZED UNDER THE COMPONENT PROGRAM OF UNDERWRITERS LABORATORIES INC., FILE N° E60677.
- 6 IMQ CERTIFICATE WITH SURVEILLANCE IN CONFORMITY WITH IEC 998-1/998-2-1.
- 7 NOT CUMULATIVE TOLERANCE.
- 8 WHITE INK STAMPING.
- 9 BUCHANAN LOGO TO APPEAR ON HOUSING, LOCATION OPTIONAL, WHERE SPACE PERMITS.



| DIM. | A | N° POS. | PART NUMBER |
|------|--------|---------|-------------|
| 8 | 121.92 | 24 | 3-1546074-4 |
| 8 | 121.92 | 24 | 3-1546074-3 |
| 8 | 121.92 | 24 | 3-1546074-2 |
| 8 | 50.80 | 10 | 3-1546074-0 |
| 8 | 40.64 | 8 | 2-1546074-8 |
| | 121.92 | 24 | 2-1546074-4 |
| | 116.84 | 23 | 2-1546074-3 |
| | 111.76 | 22 | 2-1546074-2 |
| | 106.68 | 21 | 2-1546074-1 |
| | 101.60 | 20 | 2-1546074-0 |
| | 96.52 | 19 | 1-1546074-9 |
| | 91.44 | 18 | 1-1546074-8 |
| | 86.36 | 17 | 1-1546074-7 |
| | 81.28 | 16 | 1-1546074-6 |
| | 76.20 | 15 | 1-1546074-5 |
| | 45.72 | 14 | 1-1546074-4 |
| | 66.04 | 13 | 1-1546074-3 |
| | 60.96 | 12 | 1-1546074-2 |
| | 55.88 | 11 | 1-1546074-1 |
| | 50.80 | 10 | 1-1546074-0 |
| | 45.72 | 9 | 1546074-9 |
| | 40.64 | 8 | 1546074-8 |
| | 35.56 | 7 | 1546074-7 |
| | 30.48 | 6 | 1546074-6 |
| | 25.40 | 5 | 1546074-5 |
| | 20.32 | 4 | 1546074-4 |
| | 15.24 | 3 | 1546074-3 |
| | 10.16 | 2 | 1546074-2 |



RECOMMENDED PC BOARD LAYOUT



| | | | | | | | |
|----------|--|---|--|---|--|--|--|
| DIMS: mm | | TOLERANCES UNLESS OTHERWISE SPECIFIED: | | DWN 15MAR2001 E. ZANOLINI | | TE TE Connectivity | |
| | | 0 PLC ± 1 PLC ±0.3 2 PLC ±0.25 3 PLC ± 4 PLC ± ANGLES ±2 | | CHR 15MAR2001 D. BIEVENOUR APVD 15MAR2001 D. BIEVENOUR | | | |
| MATERIAL | | FINISH | | PRODUCT SPEC | | NAME | |
| | | | | - | | TERMINAL BLOCK, PCB MOUNT ANGLED ENTRY WIRE, STACKING W/INTERLOCK, 5.08mm, PITCH | |
| - | | - | | APPLICATION SPEC | | SIZE | |
| - | | - | | - | | CAGE CODE | |
| - | | - | | WEIGHT | | DRAWING NO | |
| - | | - | | - | | RESTRICTED TO | |
| - | | - | | - | | A3 00779 C-1546074 | |
| - | | - | | CUSTOMER DRAWING | | SCALE 3:1 SHEET 1 OF 2 REV C1 | |

THIS DRAWING IS UNPUBLISHED.

RELEASED FOR PUBLICATION

© COPYRIGHT

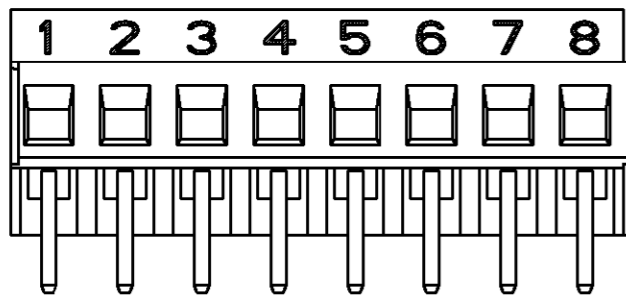
BY

ALL RIGHTS RESERVED.

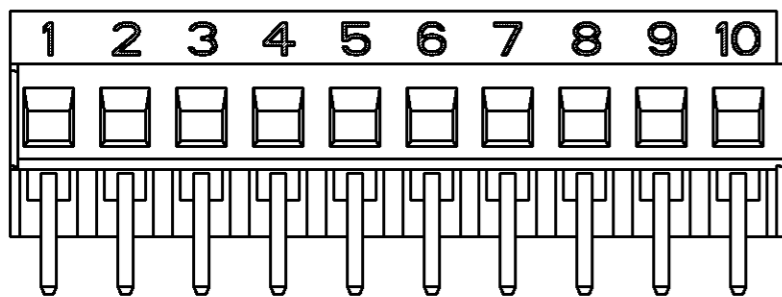
| | |
|-----|------|
| LOC | DIST |
| FT | 0 |

REVISIONS

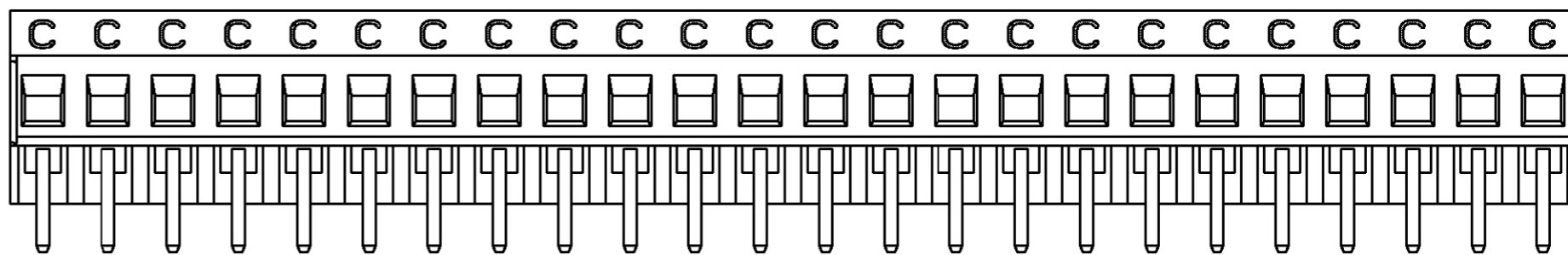
| P | LTR | DESCRIPTION | DATE | DWN | APVD |
|---|-----|-------------|------|-----|------|
| - | - | SEE SHEET 1 | - | - | - |
| | | | | | |
| | | | | | |



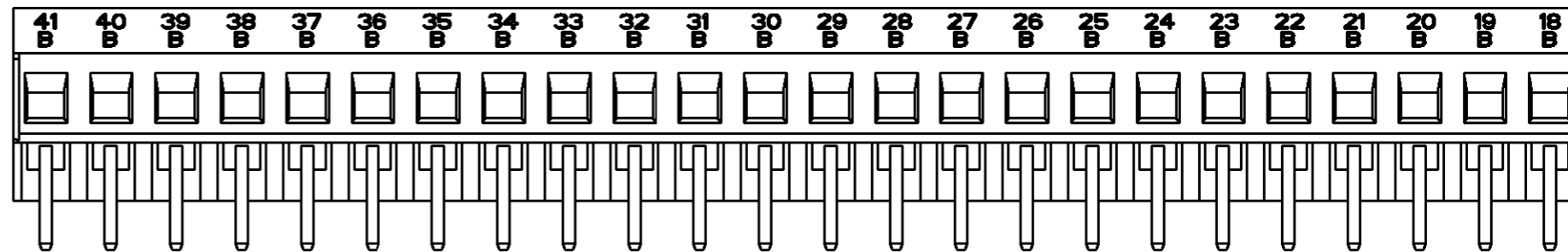
2-1546074-8 AS SHOWN



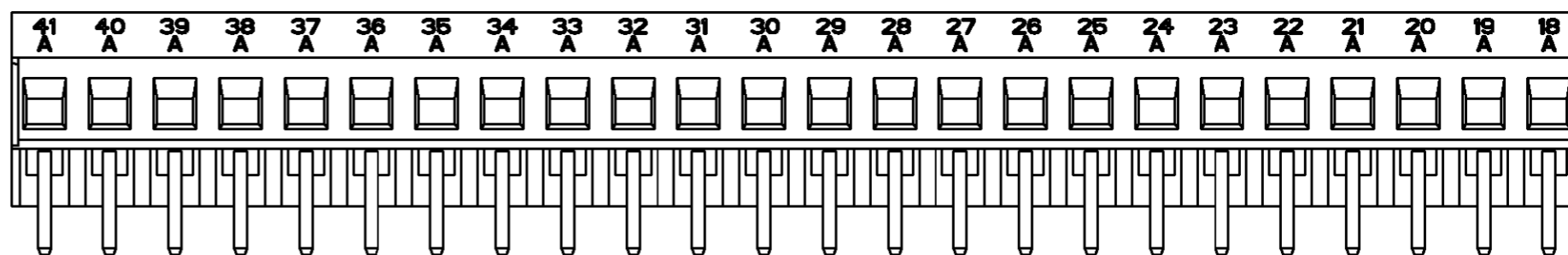
3-1546074-0 AS SHOWN



3-1546074-2 AS SHOWN



3-1546074-3 AS SHOWN



3-1546074-4 AS SHOWN

| | | | | | | | |
|-----------------------|--|---|--|---|--------------|---|-----------------|
| DIMENSIONS: mm | | TOLERANCES UNLESS OTHERWISE SPECIFIED: 0 PLC ± 1 PLC ± 2 PLC ± 3 PLC ± 4 PLC ± ANGLES ± | | DWN 15MAR2001 E. ZANOLINI CHR 15MAR2001 D. BIEVENOUR APVD 15MAR2001 D. BIEVENOUR PRODUCT SPEC - APPLICATION SPEC - WEIGHT - | | TE Connectivity NAME TERMINAL BLOCK, PCB MOUNT ANGLED ENTRY WIRE, STACKING W/ INTERLOCK, 5.08mm, PITCH | |
| MATERIAL - | | FINISH - | | CUSTOMER DRAWING | | SIZE A3 CAGE CODE 00779 DRAWING NO C-1546074 | RESTRICTED TO - |
| | | | | SCALE 3:1 | SHEET 2 OF 2 | REV C1 | |

X-ON Electronics

Largest Supplier of Electrical and Electronic Components

Click to view similar products for [Fixed Terminal Blocks](#) category:

Click to view products by [TE Connectivity](#) manufacturer:

Other Similar products are found below :

[MBE-1512](#) [MBE-154](#) [MBE-156](#) [MBES-153](#) [MBES-156](#) [MH-2512](#) [MHE-132](#) [MHE-163](#) [MI-254 \(35\)](#) [MI-272](#) [880507](#) [MPT-275](#)
[15602-04-08-21](#) [BA311TU](#) [BA411SU](#) [MV-152](#) [MV-252-D](#) [MV-253/NCNOC](#) [MV-254-D](#) [MV-255](#) [MV-462](#) [MV-493](#) [MVE-252](#) [MVE-253](#)
[MVE-273](#) [MVEB-153](#) [1700096](#) [1705142](#) [1712417](#) [1713020](#) [1713088](#) [1745195](#) [1760594](#) [1776118-2](#) [1790852](#) [1-796689-8](#) [1-796692-6](#)
[1800001](#) [1800114](#) [1995279](#) [20020314-C121B01LF](#) [20020316-G041B01LF](#) [CB2-12](#) [KP03215000J0G](#) [KP04215000J0G](#) [S451](#) [282802-2](#)
[29.007](#) [29.116](#) [30.103](#)