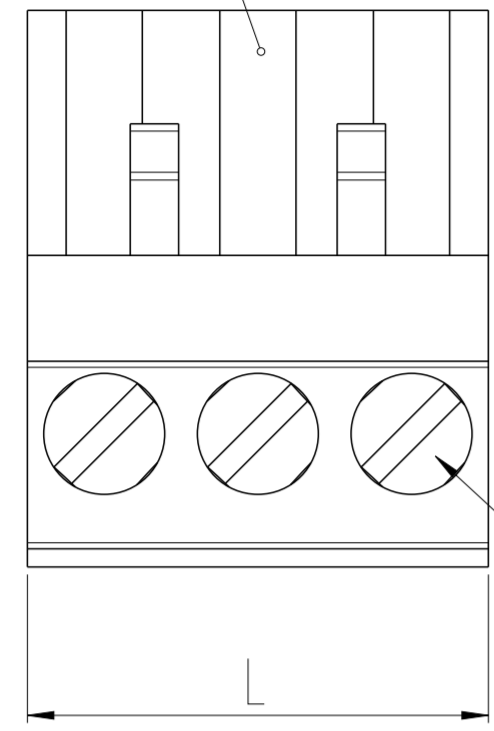


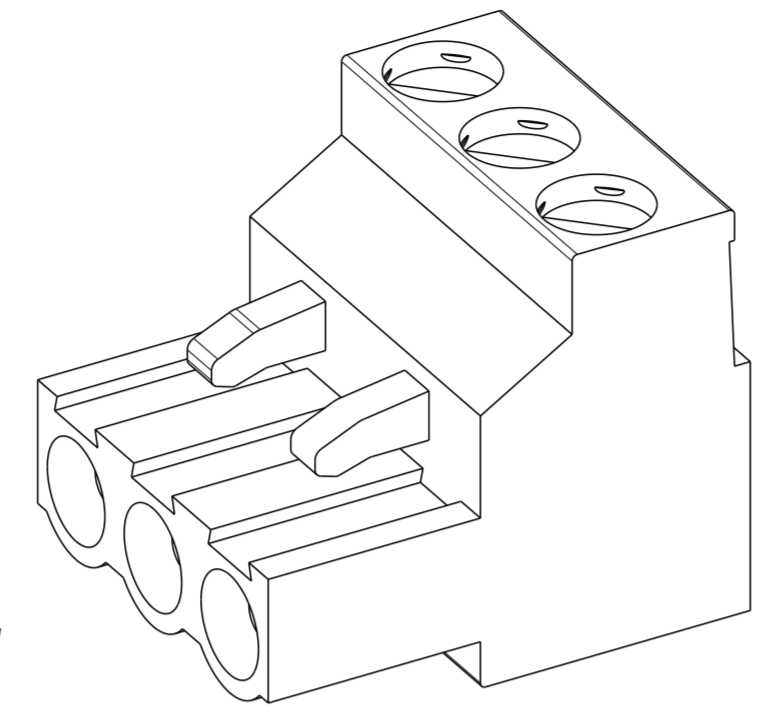
THIS DRAWING IS UNPUBLISHED. RELEASED FOR PUBLICATION 20  
 © COPYRIGHT 20 BY - ALL RIGHTS RESERVED.

REVISIONS					
P	LTR	DESCRIPTION	DATE	DWN	APVD
D8		PN 5-2 AND 5-6 RELEASED FOR PRODUCTION	07DEC2018	RK	PS
D9		PART OBSOLETE	28AUG2020	DV	PS

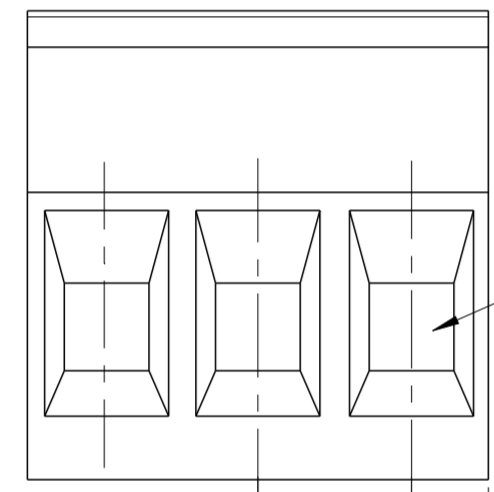
POLARIZATION KEY SLOT



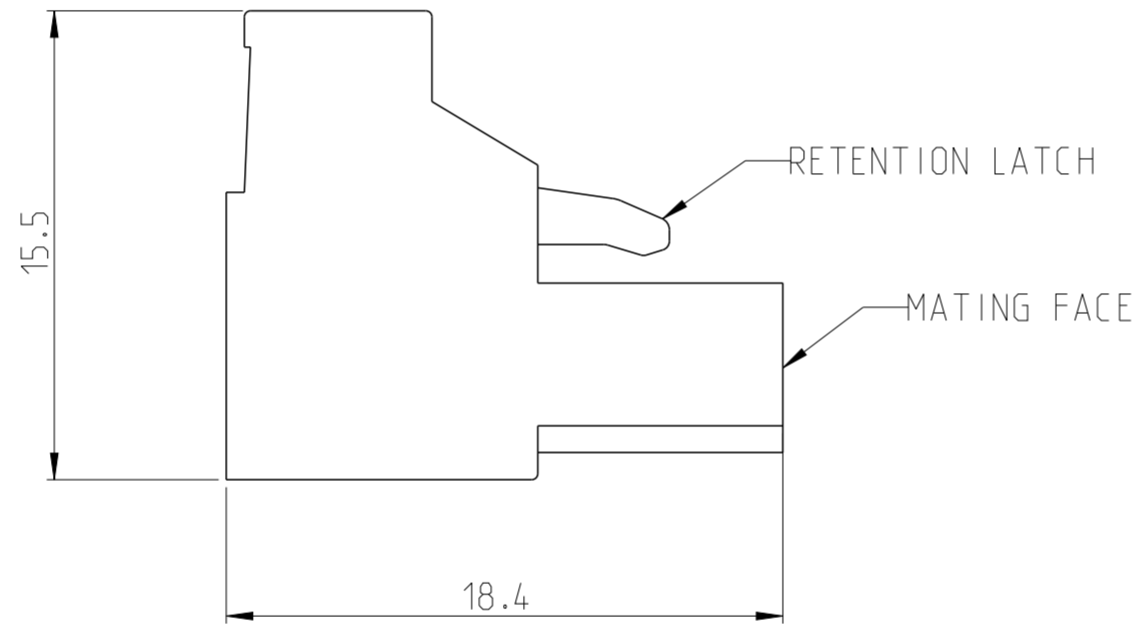
CLAMPING SCREW



1546108-3 AS SHOWN



WIRE ENTRY



RETENTION LATCH

MATING FACE

10	OBSOLETE	BLACK	DETAIL N	TIN	30.48±0.20	6	<del>6-1546108-9</del>	
		GREEN	DETAIL M	TIN	15.24±0.15	3	<del>6-1546108-8</del>	
		ORANGE	DETAIL M	TIN	15.24±0.15	3	<del>6-1546108-7</del>	
		BLACK	DETAIL M	TIN	15.24±0.15	3	<del>6-1546108-6</del>	
		BLACK	DETAIL N	TIN	25.40±0.20	5	<del>6-1546108-5</del>	
		GREEN	DETAIL N	TIN	15.24±0.15	3	<del>6-1546108-4</del>	
		ORANGE	DETAIL N	TIN	15.24±0.15	3	<del>6-1546108-3</del>	
OBSOLETE	OBSOLETE	BLACK	DETAIL N	TIN	15.24±0.15	3	<del>6-1546108-2</del>	
		GRAY	DETAIL H	TIN	55.88	11	<del>6-1546108-1</del>	
		GRAY	DETAIL H	TIN	45.72	9	<del>5-1546108-9</del>	
		GRAY	DETAIL H	TIN	30.48±0.20	6	<del>5-1546108-6</del>	
		GRAY	DETAIL H	TIN	20.32±0.15	4	<del>5-1546108-4</del>	
		GRAY	DETAIL H	TIN	15.24±0.15	3	<del>5-1546108-3</del>	
9	OBSOLETE	GRAY	DETAIL H	TIN	10.16±0.15	2	<del>5-1546108-2</del>	
		GRAY	DETAIL H	TIN	60.96	12	<del>4-1546108-7</del>	
		GRAY	-	TIN	15.24±0.15	3	<del>4-1546108-6</del>	
OBSOLETE	OBSOLETE	GRAY	DETAIL K	TIN	40.64	8	<del>4-1546108-5</del>	
		GRAY	DETAIL H	TIN	40.64	8	<del>4-1546108-4</del>	
		GRAY	DETAIL H	TIN	96.52±0.35	19	<del>4-1546108-3</del>	
OBSOLETE	OBSOLETE	GRAY			.000030 GOLD	60.96±0.20	12	<del>4-1546108-2</del>
OBSOLETE	OBSOLETE	GRAY			.000030 GOLD	30.48±0.20	6	<del>3-1546108-6</del>
OBSOLETE	OBSOLETE	GRAY			.000030 GOLD	20.32±0.15	4	<del>3-1546108-4</del>
OBSOLETE	OBSOLETE	GRAY			.000030 GOLD	15.24±0.15	3	<del>3-1546108-3</del>
OBSOLETE	OBSOLETE	GRAY		TIN	127.00±0.35	25	<del>2-1546108-5</del>	
		GRAY		TIN	121.92±0.35	24	<del>2-1546108-4</del>	
		GRAY		TIN	116.84±0.35	23	<del>2-1546108-3</del>	
		GRAY		TIN	111.76±0.35	22	<del>2-1546108-2</del>	
		GRAY		TIN	106.68±0.35	21	<del>2-1546108-1</del>	
		GRAY		TIN	101.60±0.35	20	<del>2-1546108-0</del>	
		GRAY		TIN	96.52±0.35	19	<del>1-1546108-9</del>	
		GRAY		TIN	91.44±0.30	18	<del>1-1546108-8</del>	
		GRAY		TIN	86.36±0.30	17	<del>1-1546108-7</del>	
		GRAY		TIN	81.28±0.30	16	<del>1-1546108-6</del>	
OBSOLETE	OBSOLETE	GRAY		TIN	76.20±0.30	15	<del>1-1546108-5</del>	
		GRAY		TIN	71.12	14	<del>1-1546108-4</del>	
		GRAY		TIN	66.04	13	<del>1-1546108-3</del>	
		GRAY		TIN	60.96	12	<del>1-1546108-2</del>	
		GRAY		TIN	55.88	11	<del>1-1546108-1</del>	
OBSOLETE	OBSOLETE	GRAY		TIN	50.80	10	<del>1-1546108-0</del>	
		GRAY		TIN	45.72	9	<del>1546108-9</del>	
		GRAY		TIN	40.64	8	<del>1546108-8</del>	
		GRAY		TIN	35.56±0.20	7	<del>1546108-7</del>	
OBSOLETE	OBSOLETE	GRAY		TIN	30.48±0.20	6	<del>1546108-6</del>	
		GRAY		TIN	25.40±0.20	5	<del>1546108-5</del>	
		GRAY		TIN	20.32±0.15	4	<del>1546108-4</del>	
OBSOLETE	OBSOLETE	GRAY		TIN	15.24±0.15	3	<del>1546108-3</del>	
		GRAY		TIN	10.16±0.15	2	<del>1546108-2</del>	

COLOR	MARKING STYLE	CONTACT FINISH	L	NO OF POSN	PART NUMBER
-------	---------------	----------------	---	------------	-------------

THIS DRAWING IS A CONTROLLED DOCUMENT.

DWN S. WELDON 11SEP2002  
 CHK C. RICHARD 11SEP2002  
 APVD C. RICHARD 11SEP2002

DIMENSIONS: mm

TOLERANCES UNLESS OTHERWISE SPECIFIED:

0 PLC	±	0.3
1 PLC	±	0.25
2 PLC	±	0.25
3 PLC	±	0.25
4 PLC	±	0.25
ANGLES		±2°
FINISH		

MATERIAL SEE NOTES

PRODUCT SPEC -

APPLICATION SPEC -

WEIGHT -

CUSTOMER DRAWING

**STE** TE Connectivity

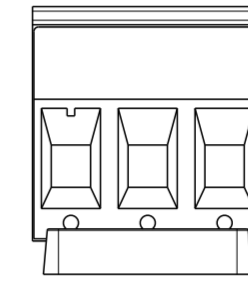
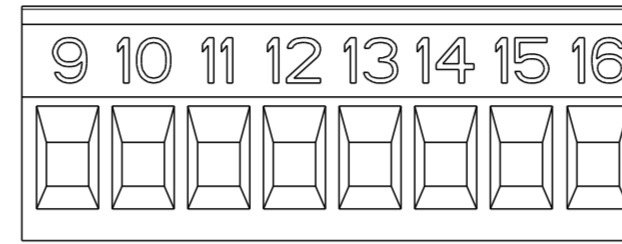
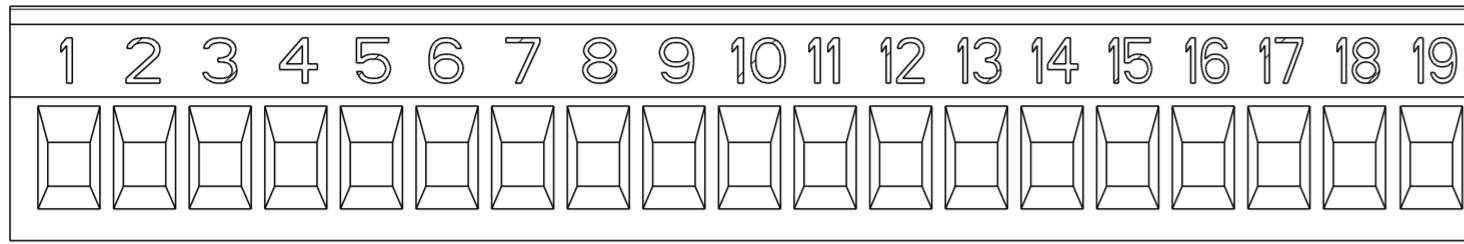
NAME: TERMINAL BLOCK, PLUG, STACKING, 5.08mm PITCH

SIZE: A2 CAGE CODE: 100779 DRAWING NO: C-1546108 RESTRICTED TO: -

SCALE: 4:1 SHEET: 1 OF 2 REV: D9

THIS DRAWING IS UNPUBLISHED. RELEASED FOR PUBLICATION 20  
 © COPYRIGHT 20 BY - ALL RIGHTS RESERVED.

REVISIONS					
P	LTR	DESCRIPTION	DATE	DWN	APVD
-	-	SEE SHEET 1	-	-	-



DETAIL H  
 SCALE 2:1  
 (PN 4-1546108-3, 4-1546108-4, 4-1546108-6, 4-1546108-7,  
 5-1546108-2, 5-1546108-3, 5-1546108-4, 5-1546108-6, 5-1546108-9)

DETAIL K  
 SCALE 2:1  
 (PN 4-1546108-5)

DETAIL N  
 SCALE 2:1  
 (PN 6-1546108-3, 6-1546108-4, 6-1546108-5, 6-1546108-9)

NOTES:

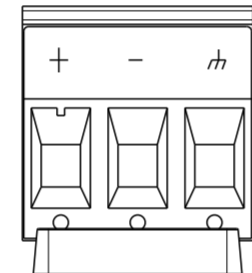
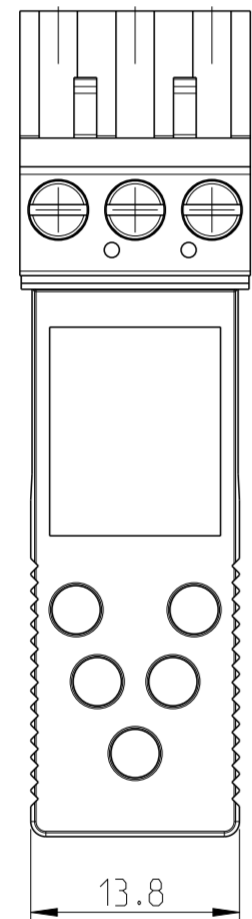
- MATERIALS AND FINISH:  
 HOUSING: PA 6-6, UL 94-V0.  
 CLAMP: BRASS, NICKEL PLATED.  
 CONTACT SPRING: PHOSPHOR BRONZE, FINISH: SEE TABLE.  
 CLAMPING SCREW: M3, BRASS, NICKEL PLATED.
- MECHANICAL  
 WIRE STRIPPING LENGTH : 6.0-7.5 mm  
 RECOMMENDED TIGHTENING TORQUE FOR SCREW : 0.5 Nm.
- ELECTRICAL  
 WIRE RANGE : 12-30 AWG  
 MAX. VOLTAGE : 300 V  
 MAX CURRENT : 15 A  
 CONTACT RESISTANCE : <15 m Ohm  
 INSULATION RESISTANCE : >1000 M Ohm (500V DC)
- END-TO-END STACKABLE WITHOUT LOSS OF CENTERLINE SPACING.
- RECOGNIZED UNDER THE COMPONENT PROGRAM OF UNDERWRITERS LABORATORIES INC. FILE NO E60677.
- OPERATING TEMPERATURE RANGE: -40°C TO +105°C

7 NOT CUMULATIVE TOLERANCE

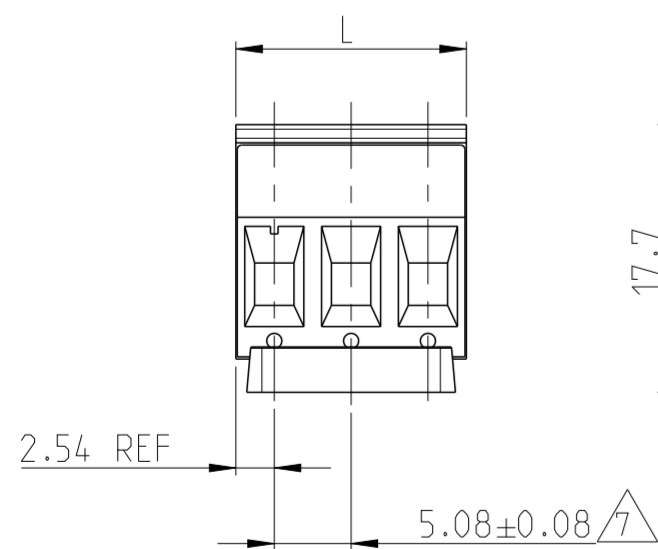
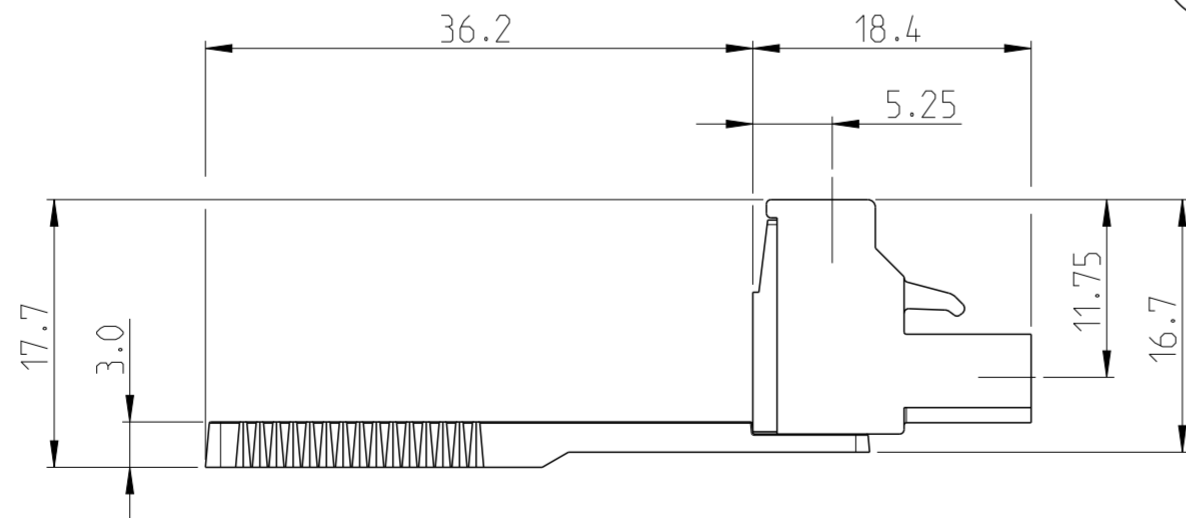
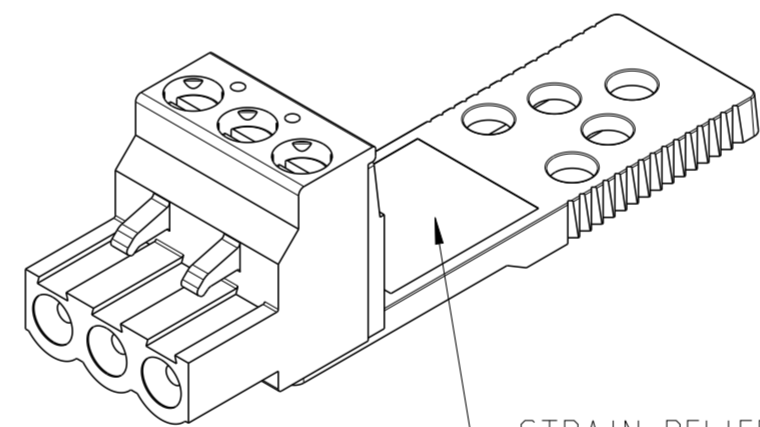
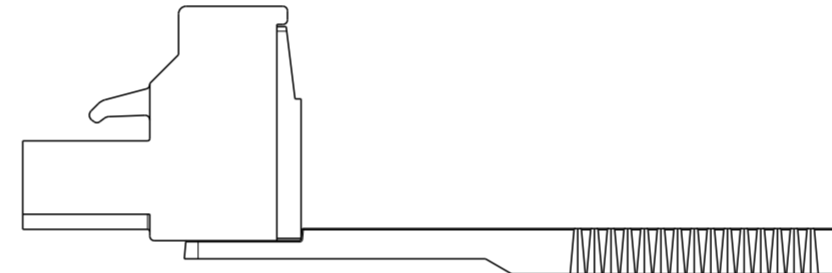
8. INK MARKING: BLACK COLOR.  
 NUMERICAL SEQUENCE FROM LEFT TO RIGHT.

9 WITHOUT RETENTION LATCHES.

10 WITH STRAIN RELIEF



DETAIL M  
 SCALE 2:1  
 (PN 6-1546108-6, 6-1546108-7, 6-1546108-8)



6-1546108-2  
 SCALE 2:1

THIS DRAWING IS A CONTROLLED DOCUMENT.		DWN S. WELDON 11SEP2002	TE Connectivity		
DIMENSIONS: mm		CHK C. RICHARD 11SEP2002			
TOLERANCES UNLESS OTHERWISE SPECIFIED:		APVD C. RICHARD 11SEP2002	NAME TERMINAL BLOCK, PLUG, STACKING, 5.08mm PITCH		
0 PLC ±		PRODUCT SPEC	SIZE		
1 PLC ±0.3		APPLICATION SPEC	CAGE CODE		
2 PLC ±0.25		WEIGHT	DRAWING NO		
3 PLC ±		CUSTOMER DRAWING	RESTRICTED TO		
4 PLC ±		SCALE 4:1	SHEET 2 OF 2		
ANGLES ±2°		SCALE 4:1	REV 09		
FINISH		SCALE 4:1	REV 09		
SEE NOTES		SCALE 4:1	REV 09		

## X-ON Electronics

Largest Supplier of Electrical and Electronic Components

*Click to view similar products for [Pluggable Terminal Blocks](#) category:*

*Click to view products by [TE Connectivity](#) manufacturer:*

Other Similar products are found below :

[57.510.0053](#) [MC 1.5/ 6-ST-3.5 GY AU](#) [ET02015000J0G](#) [734-104](#) [734-302](#) [8-141-P](#) [8426620000](#) [860505](#) [860516](#) [860810](#) [GBPACX-12](#)  
[93.731.4953.0](#) [PV05-5,08-K](#) [PVP02-5,00](#) [PVP03-3,50](#) [PVP04-3,50](#) [PVS02-5,00](#) [1-1986160-3](#) [1377680000](#) [1531000000](#) [1546228-5](#)  
[ELFH16150](#) [ELFP03110](#) [ELFP10210](#) [ELFT06250](#) [ELVP03100](#) [1700101](#) [1700410](#) [1700425](#) [1702246](#) [1705229](#) [1710175](#) [1714537](#) [1717806](#)  
[1719600](#) [1728941](#) [1734692](#) [1734795](#) [1736036](#) [1740194](#) [1740291](#) [1740628](#) [1740990](#) [1746952](#) [1750207](#) [1752441](#) [1752865](#) [1754115](#)  
[1754144](#) [1756913](#)