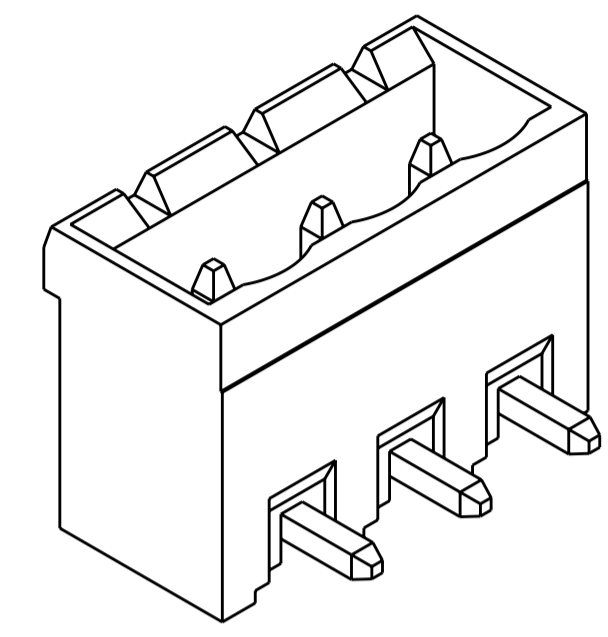
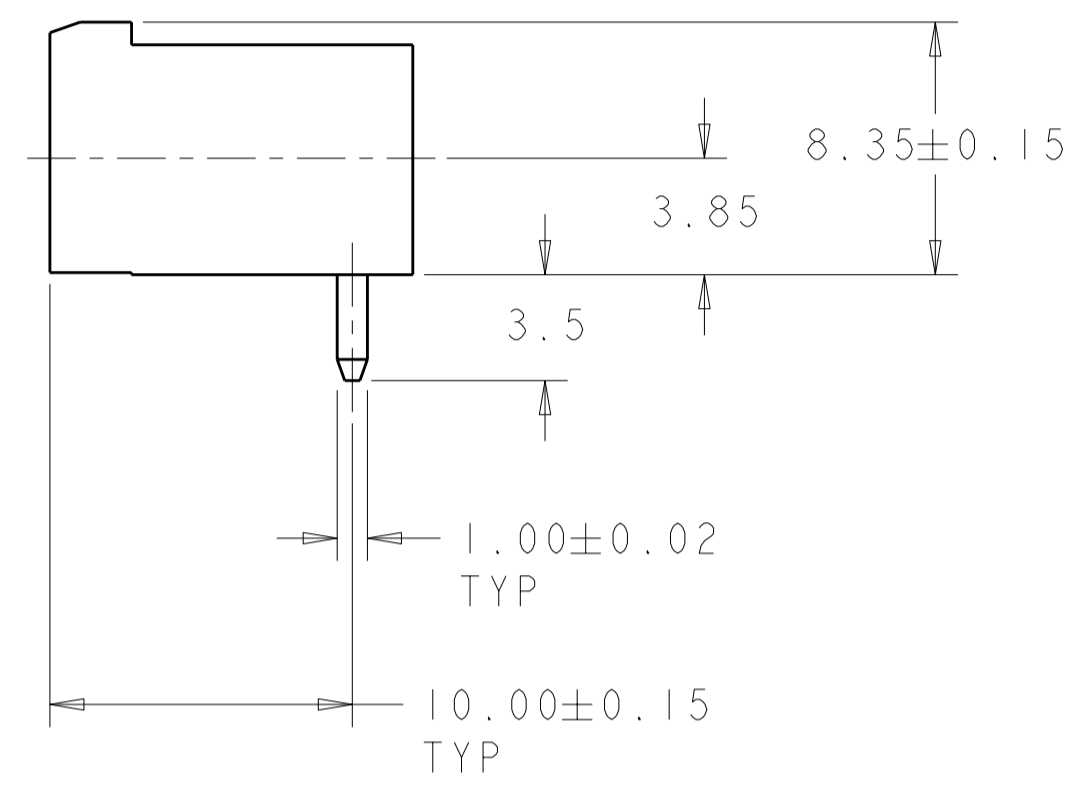
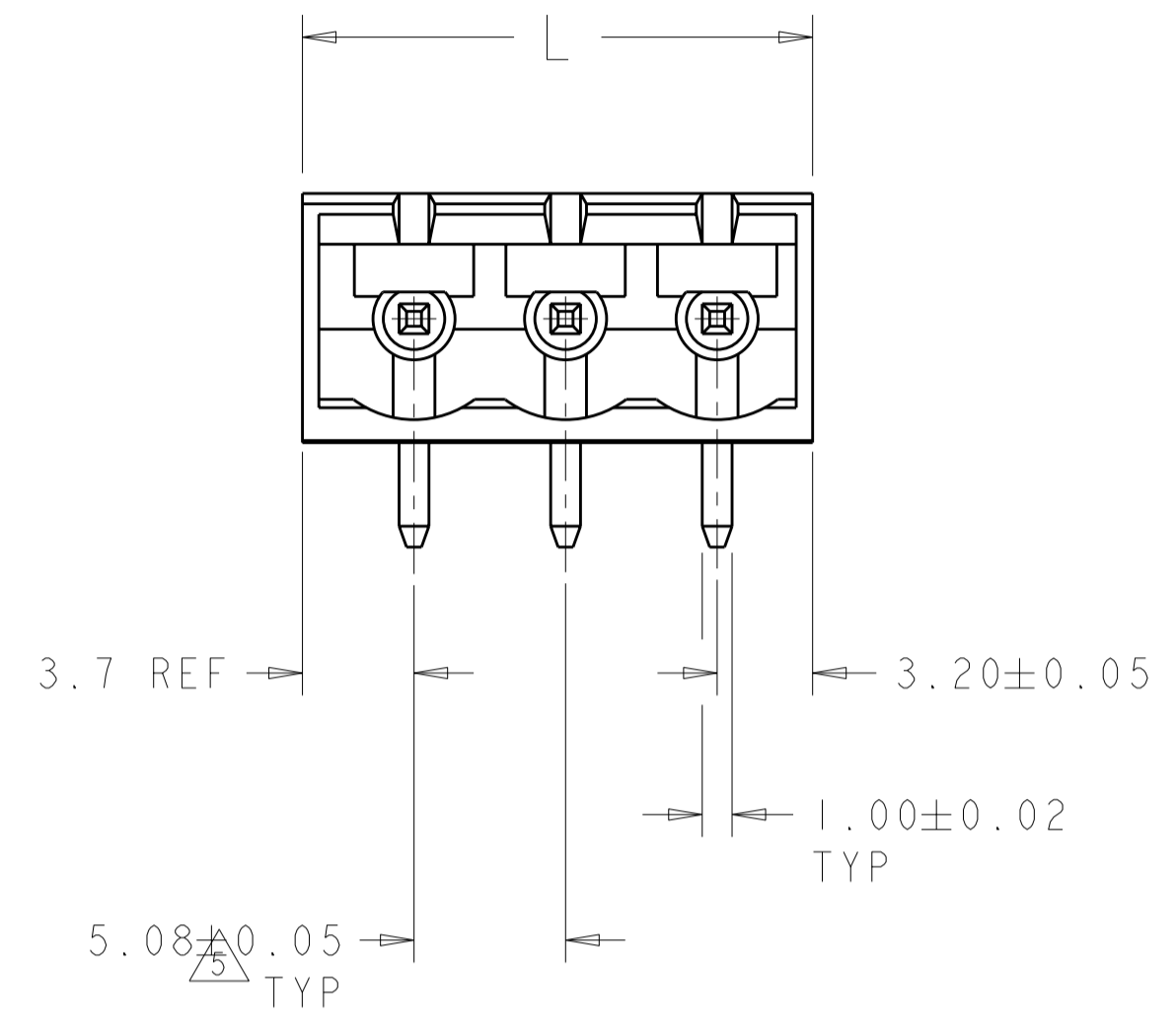


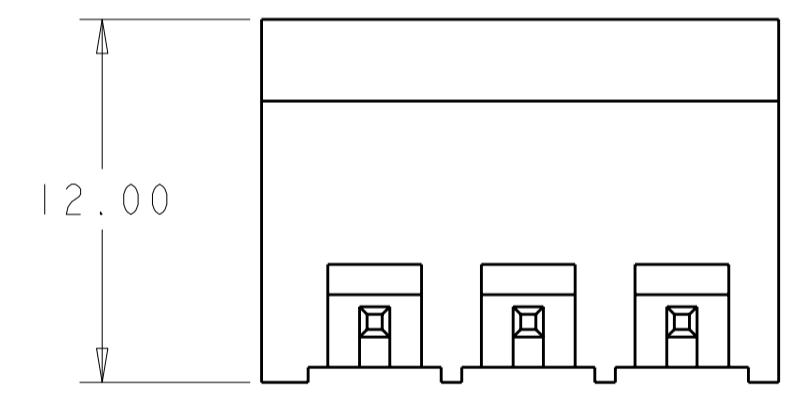
THIS DRAWING IS UNPUBLISHED. RELEASED FOR PUBLICATION 20
 © COPYRIGHT 20 BY - ALL RIGHTS RESERVED.

LOC	DIST	REVISIONS			
P	LTR	DESCRIPTION	DATE	DWN	APVD
FT	0				
		BI	REVISED PER ECO-12-007964	28APR2012	KH MS

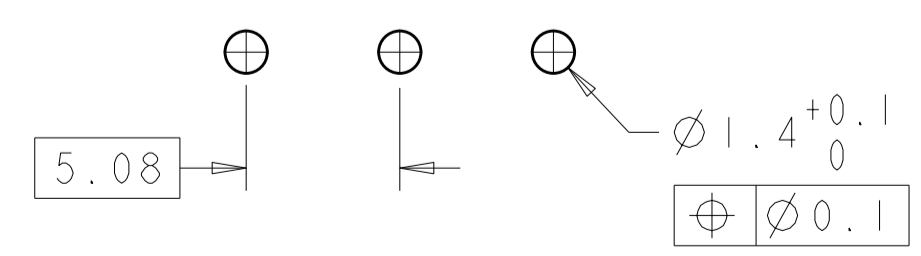


1546109-3 AS SHOWN

FINISH	WEIGHT	NO OF POSN	DIM L	PART NUMBER
PRELIMINARY	.000030 GOLD	62.78	12	4-1546109-2
PRELIMINARY	.000030 GOLD	32.30	6	3-1546109-6
PRELIMINARY	.000030 GOLD	22.14	4	3-1546109-4
PRELIMINARY	.000030 GOLD	17.06	3	3-1546109-3
TIN		128.82	25	2-1546109-5
TIN		123.74	24	2-1546109-4
TIN		118.66	23	2-1546109-3
TIN		113.58	22	2-1546109-2
TIN		108.50	21	2-1546109-1
TIN		103.42	20	2-1546109-0
TIN		98.34	19	1-1546109-9
TIN		93.26	18	1-1546109-8
TIN		88.18	17	1-1546109-7
TIN		83.10	16	1-1546109-6
TIN		78.02	15	1-1546109-5
TIN		72.94	14	1-1546109-4
TIN		67.86	13	1-1546109-3
TIN		62.78	12	1-1546109-2
TIN		57.70	11	1-1546109-1
TIN		52.62	10	1-1546109-0
TIN		47.54	9	1546109-9
TIN		42.46	8	1546109-8
TIN		37.38	7	1546109-7
TIN		32.30	6	1546109-6
TIN		27.22	5	1546109-5
TIN		22.14	4	1546109-4
TIN		17.06	3	1546109-3
TIN		11.98	2	1546109-2



- 1. MATERIALS AND FINISH:
 HOUSING: PA 6-6, UL 94-V0, COLOR: GRAY.
 TERMINAL: COPPER ALLOY, FINISH: SEE TABLE.
- 2. SUITABLE FOR 1,6-2, 4mm PC BOARD THICKNESS.
- 3. RECOGNIZED UNDER THE COMPONENT PROGRAM OF UNDERWRITERS LABORATORIES INC. FILE N° E60677.
- 4. IMQ CERTIFICATE WITH SURVEILLANCE IN CONFORMITY WITH IEC 998-1/998-2-1.)
- 5. NOT CUMULATIVE TOLERANCE
- 6. BUCHANAN LOGO TO APPEAR ON HOUSING, LOCATION OPTIONAL WHERE SPACE PERMITS.



RECOMMENDED PC BOARD LAYOUT

THIS DRAWING IS A CONTROLLED DOCUMENT.		DWN: S. WELDON 11SEP2002	TE Connectivity	
DIMENSIONS: mm		CHK: C. RICHARD 11SEP2002		
TOLERANCES UNLESS OTHERWISE SPECIFIED:		APVD: C. RICHARD 11SEP2002	NAME: TERMI-BLOK HEADER ASSEMBLY, 90 DEGREE, CLOSED ENDS, 5.08mm PITCH	
0 PLC ±- 1 PLC ±0.2 2 PLC ±- 3 PLC ±- 4 PLC ±- ANGLES ±- FINISH ±-		PRODUCT SPEC: -	SIZE: A2	CAGE CODE: 00779
MATERIAL: -		APPLICATION SPEC: -	DRAWING NO: 1546109	RESTRICTED TO: -
CUSTOMER DRAWING		WEIGHT: -	SCALE: 4:1	SHEET 1 OF 1 REV: BI

X-ON Electronics

Largest Supplier of Electrical and Electronic Components

Click to view similar products for [Pluggable Terminal Blocks](#) category:

Click to view products by [TE Connectivity](#) manufacturer:

Other Similar products are found below :

[57.510.0053](#) [MC 1.5/ 6-ST-3.5 GY AU](#) [ET02015000J0G](#) [734-104](#) [734-302](#) [8-141-P](#) [8426620000](#) [860505](#) [860516](#) [860810](#) [GBPACX-12](#)
[93.731.4953.0](#) [PV05-5,08-K](#) [PVP03-3,50](#) [PVP04-3,50](#) [PVS02-5,00](#) [1-1986160-3](#) [1377680000](#) [1531000000](#) [1546228-5](#) [ELFH16150](#)
[ELFP03110](#) [ELFP10210](#) [ELFT06250](#) [ELVP03100](#) [1700101](#) [1700410](#) [1700425](#) [1702246](#) [1705229](#) [1710175](#) [1714537](#) [1717806](#) [1719600](#)
[1728941](#) [1734692](#) [1734795](#) [1736036](#) [1740194](#) [1740628](#) [1740990](#) [1746952](#) [1750207](#) [1752441](#) [1752865](#) [1754115](#) [1754144](#) [1756913](#)
[1760051](#) [1760336](#)