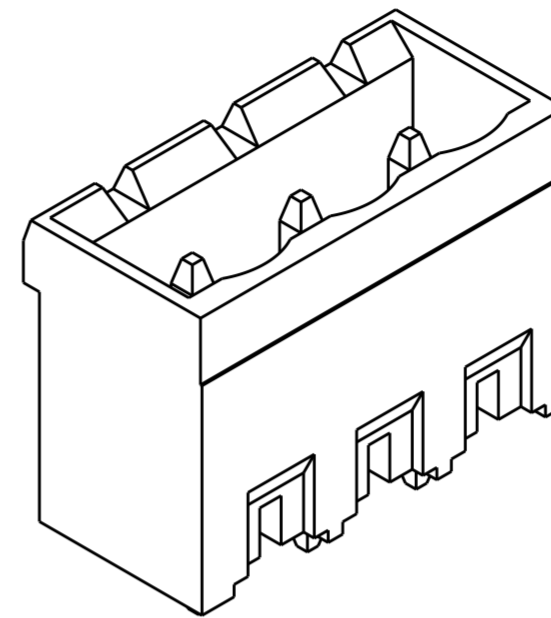
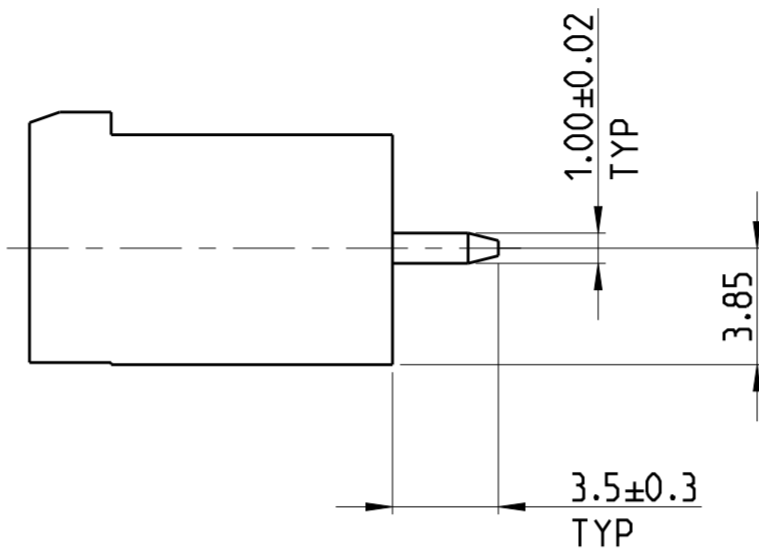
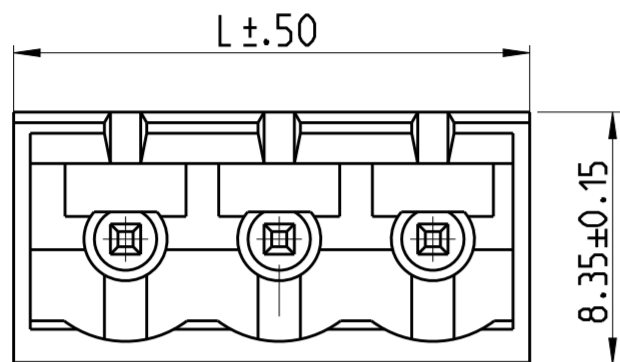
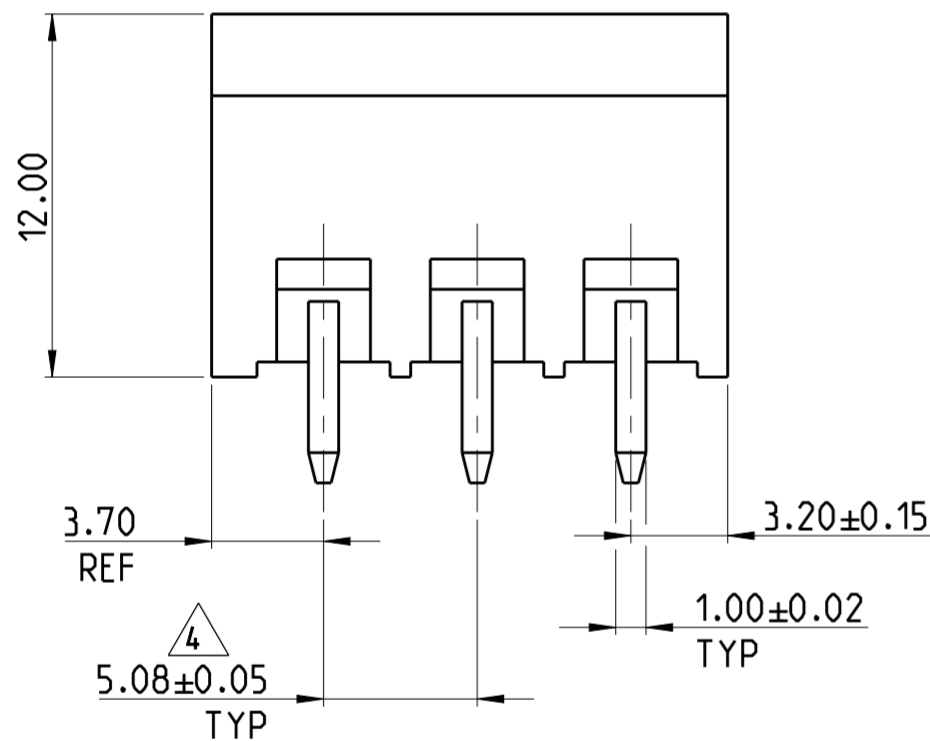


THIS DRAWING IS UNPUBLISHED. RELEASED FOR PUBLICATION 20
 © COPYRIGHT 20 Tyco Electronics AMP GmbH ALL RIGHTS RESERVED.

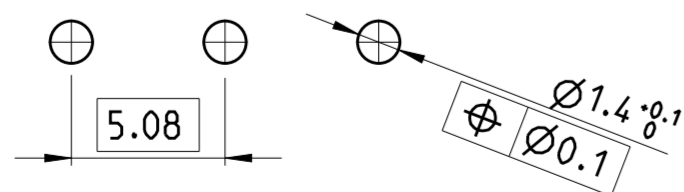
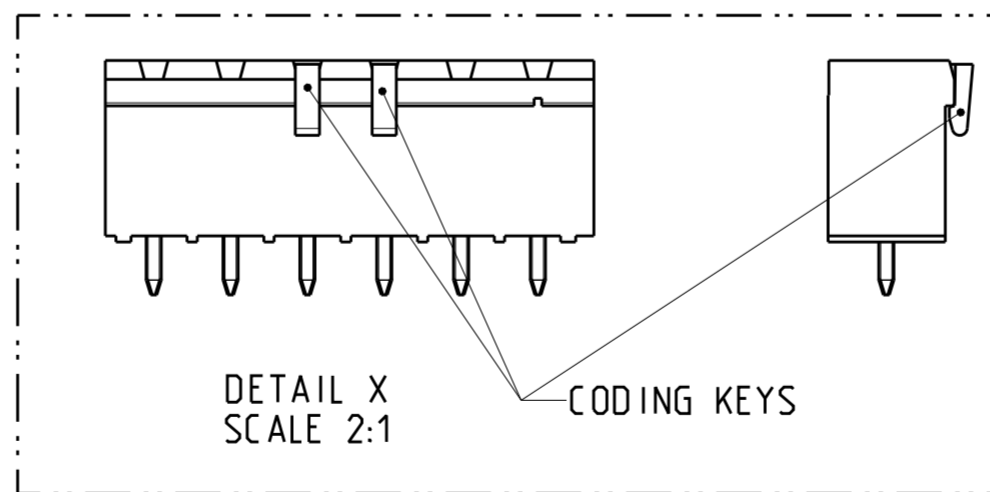
LOC	DIST	REVISIONS					
FT	0	P	LTR	DESCRIPTION	DATE	DWN	APVD
		A2		REVISED PER ECO-12-007964	03MAY2012	KH	MS
		A3		NEW P/N 2-1546111-6 ADDED	17OCT2017	FP	FP



1546111-3 AS SHOWN



- 1 MATERIALS AND FINISH:
HOUSING: PA 6-6, UL 94-V0, COLOR: GRAY.
TERMINAL: COPPER ALLOY, TIN PLATED.
- 2. SUITABLE FOR 1.6-2.4mm PC BOARD THICKNESS.
- 3. RECOGNIZED UNDER THE COMPONENT PROGRAM OF UNDERWRITERS LABORATORIES INC. FILE N° E60677.
- 4 NOT CUMULATIVE TOLERANCE



RECOMMENDED PC BOARD LAYOUT

SEE DETAIL X

32.30	6	2-1546111-6
128.82	25	2-1546111-5
123.74	24	2-1546111-4
118.66	23	2-1546111-3
113.58	22	2-1546111-2
108.50	21	2-1546111-1
103.42	20	2-1546111-0
98.34	19	1-1546111-9
93.26	18	1-1546111-8
88.18	17	1-1546111-7
83.10	16	1-1546111-6
78.02	15	1-1546111-5
72.94	14	1-1546111-4
67.86	13	1-1546111-3
62.78	12	1-1546111-2
57.70	11	1-1546111-1
52.62	10	1-1546111-0
47.54	9	1546111-9
42.46	8	1546111-8
37.38	7	1546111-7
32.30	6	1546111-6
27.22	5	1546111-5
22.14	4	1546111-4
17.06	3	1546111-3
11.98	2	1546111-2
DIM L	NO OF POSN	PART NUMBER

THIS DRAWING IS A CONTROLLED DOCUMENT.

DIMENSIONS:	TOLERANCES UNLESS OTHERWISE SPECIFIED:	DWN S. WELDON 11SEP2002	TE Connectivity
mm	0 PLC ±	CHK C. RICHARD 11SEP2002	
	1 PLC ±0.1	APVD C. RICHARD 11SEP2002	
	2 PLC ±0.25	PRODUCT SPEC	
	3 PLC ±	APPLICATION SPEC	NAME &DWG_TITLE &DWG_TITLE_2 5.08mm PITCH
	4 PLC ±	WEIGHT	SIZE A2 CAGE CODE 00779 DRAWING NO C-1546111 RESTRICTED TO
MATERIAL	ANGLES ±	CUSTOMER DRAWING	SCALE 5:1 SHEET 1 OF 1 REV A3
	FINISH		

X-ON Electronics

Largest Supplier of Electrical and Electronic Components

Click to view similar products for [Pluggable Terminal Blocks](#) category:

Click to view products by [TE Connectivity](#) manufacturer:

Other Similar products are found below :

[57.510.0053](#) [MC 1.5/ 6-ST-3.5 GY AU](#) [ET02015000J0G](#) [734-104](#) [734-302](#) [8-141-P](#) [8426620000](#) [860505](#) [860516](#) [860810](#) [GBPACX-12](#)
[93.731.4953.0](#) [PV05-5,08-K](#) [PVP03-3,50](#) [PVP04-3,50](#) [PVS02-5,00](#) [1-1986160-3](#) [1377680000](#) [1531000000](#) [1546228-5](#) [ELFH16150](#)
[ELFP03110](#) [ELFP10210](#) [ELFT06250](#) [ELVP03100](#) [1700101](#) [1700410](#) [1700425](#) [1702246](#) [1705229](#) [1710175](#) [1714537](#) [1717806](#) [1719600](#)
[1728941](#) [1734692](#) [1734795](#) [1736036](#) [1740194](#) [1740628](#) [1740990](#) [1746952](#) [1750207](#) [1752441](#) [1752865](#) [1754115](#) [1754144](#) [1756913](#)
[1760051](#) [1760336](#)