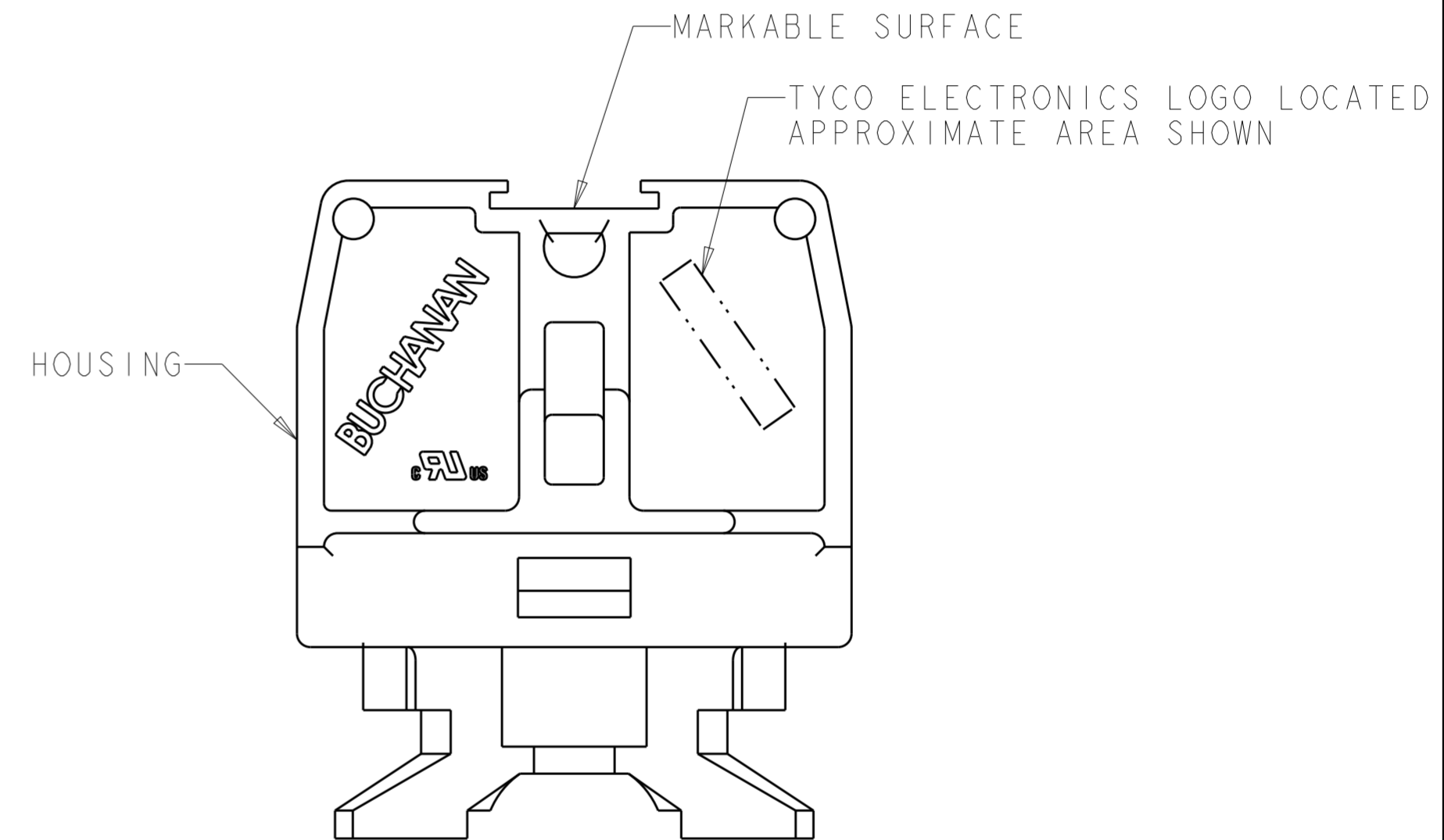
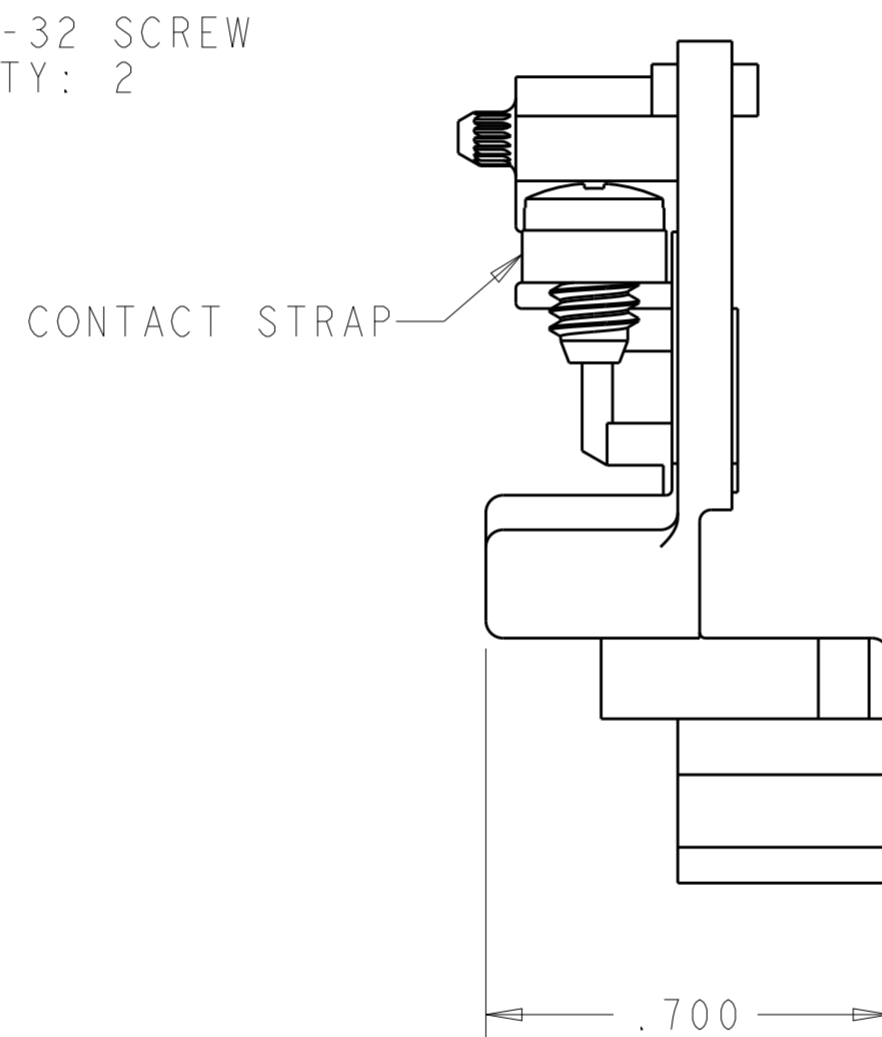
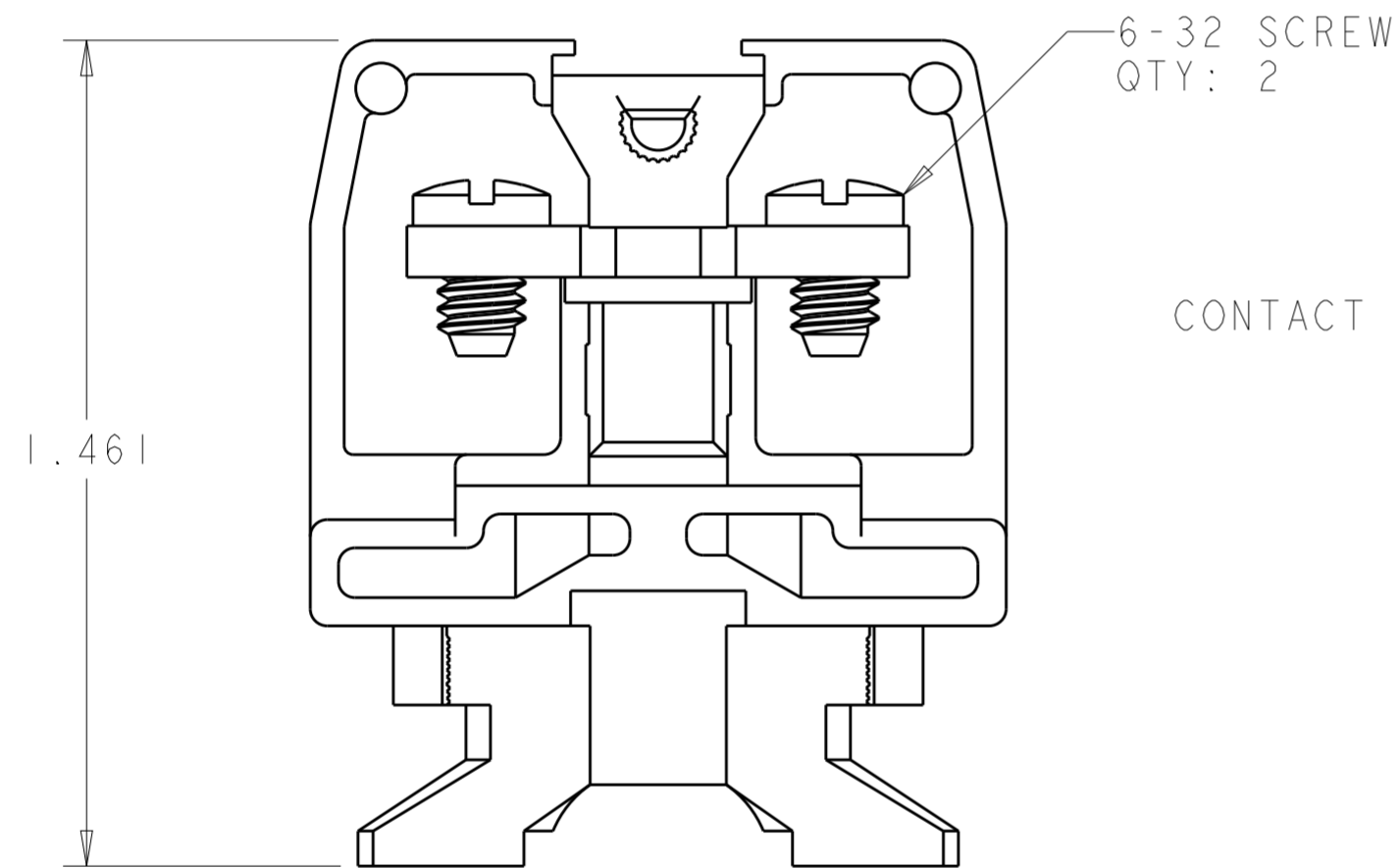
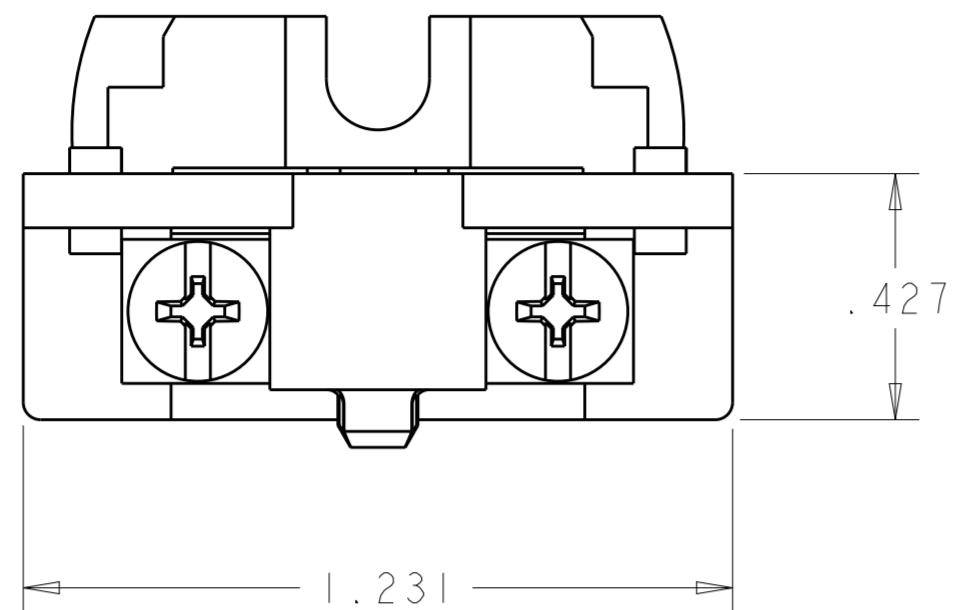


THIS DRAWING IS UNPUBLISHED. RELEASED FOR PUBLICATION 20  
 © COPYRIGHT 20 BY - ALL RIGHTS RESERVED.

| REVISIONS |     |                           |           |       |
|-----------|-----|---------------------------|-----------|-------|
| P         | LTR | DESCRIPTION               | DATE      | APVD  |
| G         |     | REVISED PER ECO-13-011850 | 11NOV2013 | KH MB |
|           |     |                           |           |       |
|           |     |                           |           |       |



- 1. PHYSICAL PROPERTIES (STANDARD)  
 HOUSING: POLYESTER, UL 94V-0 RATED, COLOR: GRAY.  
 CONTACT STRAP: COPPER ALLOY, ZINC PLATED.  
 SCREW: STEEL, ZINC PLATED CLEAR CHROMATE.
- 2. PHYSICAL PROPERTIES (DURAMAX)  
 HOUSING: POLYESTER, UL 94V-0 RATED, COLOR: GRAY.  
 CONTACT STRAP: COPPER ALLOY, NICKEL PLATED.  
 SCREW: COPPER ALLOY, NICKEL PLATED.
- 3. MECHANICAL  
 PITCH: .375  
 MOUNTING: STANDARD CHANNEL AND CLAMP.  
 OPERATING TEMPERATURE: 150°C MAX.  
 TORQUE: RECOMMENDED TIGHTENING TORQUE IS 12 IN-LBS.
- 4. ELECTRICAL  
 MAXIMUM CURRENT: 15A, 35A\*  
 OPERATING VOLTAGE: 600 V  
 WIRE RANGE: 14-22 AWG, 10 AWG\*.  
 \* ACCEPTABLE FOR 35A MAXIMUM CURRENT, FACTORY WIRING ONLY, WHEN USED WITH 10 AWG WIRE PRE-TERMINATED WITH SUITABLE RING TONGUE TERMINALS.
- 5. SEE RESTRICTED CUSTOMER DRAWING 4-1437394-5.

|                   |   |             |   |
|-------------------|---|-------------|---|
| OBSOLETE          | - | 4-1437394-5 | 5 |
| OBSOLETE          | 2 | 1546144-2   |   |
|                   | 1 | 1546144-1   |   |
| MATERIAL / FINISH |   | PART NUMBER |   |

|  |  |                         |  |  |
|--|--|-------------------------|--|--|
| THIS DRAWING IS A CONTROLLED DOCUMENT. |  | DWN S. WELDON 13JUN2002 | <b>STE</b> TE Connectivity   |  |
| DIMENSIONS: INCHES                     |  | CHK S. YODER 13JUN2002  |  |  |
| TOLERANCES UNLESS OTHERWISE SPECIFIED: |  | APVD S. YODER 13JUN2002 | NAME ASSEMBLY, TERMINAL BLOCK, NEMA, DOVETAIL BASE, MEDIUM DUTY, STRAP SCREW |  |
| 0 PLC ±                                |  | PRODUCT SPEC -          | SIZE CAGE CODE DRAWING NO RESTRICTED TO                                      |  |
| 1 PLC ±                                |  | APPLICATION SPEC -      | A200779 C-1546144  |  |
| 2 PLC ±                                |  | WEIGHT -                | SCALE 3:1 SHEET OF REV G   |  |
| 3 PLC ±.010                            |  |                         |  |  |
| 4 PLC ±                                |  |                         |  |  |
| ANGLES ±                               |  |                         |  |  |
| FINISH                                 |  |                         |  |  |
| MATERIAL SEE TABLE                     |  |                         |  |  |
| SEE TABLE                              |  |                         |  |  |

## X-ON Electronics

Largest Supplier of Electrical and Electronic Components

*Click to view similar products for [DIN Rail Terminal Blocks](#) category:*

*Click to view products by [TE Connectivity](#) manufacturer:*

Other Similar products are found below :

[1045932](#) [00110420202](#) [00110430402](#) [5724.2/L](#) [592808-3](#) [CTS25U/BL](#) [CTS2.5U-N/Y](#) [90.080](#) [91.010](#) [91.040](#) [DP25-GY-ND](#) [15288](#) [90.070](#)  
[90.202](#) [90.905](#) [91.001](#) [91.020](#) [91.201](#) [91.340](#) [2713793](#) [2757571](#) [280-331](#) [283-317](#) [283-607](#) [2909044](#) [2909798](#) [29-2052](#) [SRT2-OD08CL-1](#)  
[CDL4U\(E\)MOV](#) [2757801](#) [2794660](#) [284-317](#) [2907033](#) [3048496](#) [CTS2.5U-N/O](#) [5542152](#) [5602077](#) [0709880](#) [5520682](#) [5607102](#) [EPUSC](#)  
[SRT2-OD16P](#) [2901288](#) [591620-2](#) [1-591651-1](#) [NRA37-1/2](#) [592814-1](#) [592814-3](#) [SRT2-ID16P](#) [NRA37-12](#)