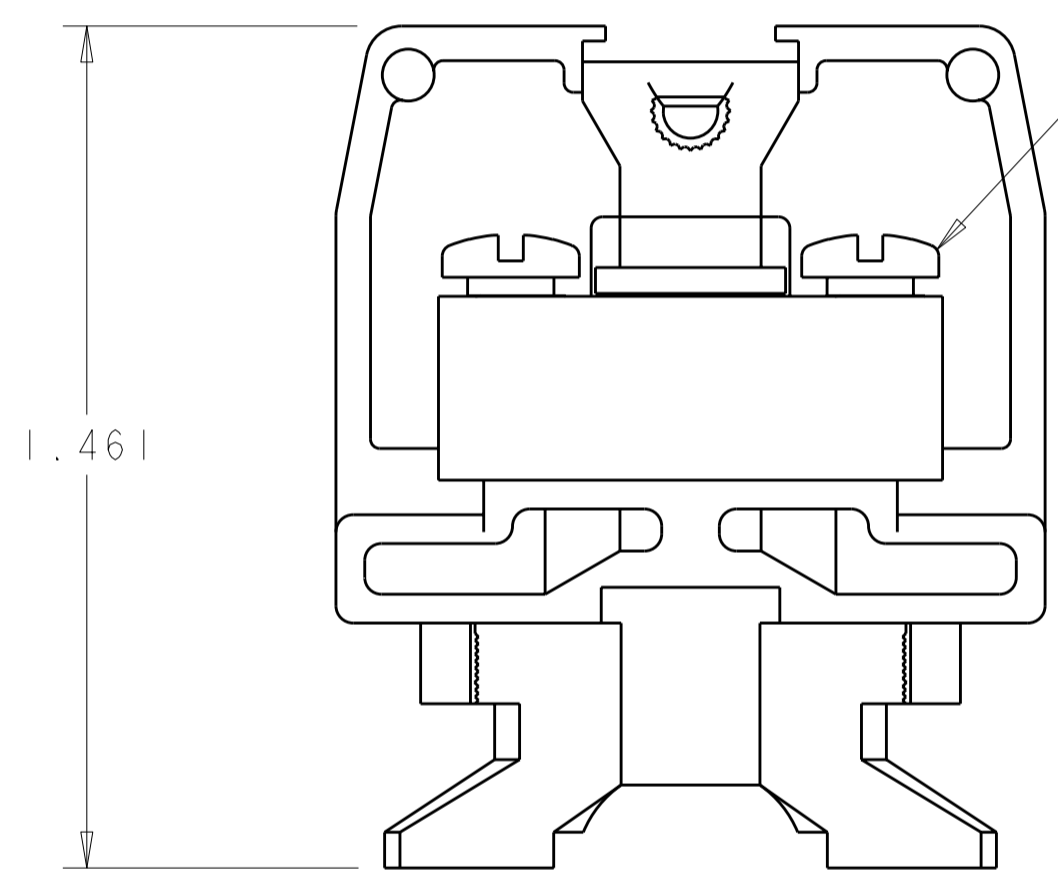
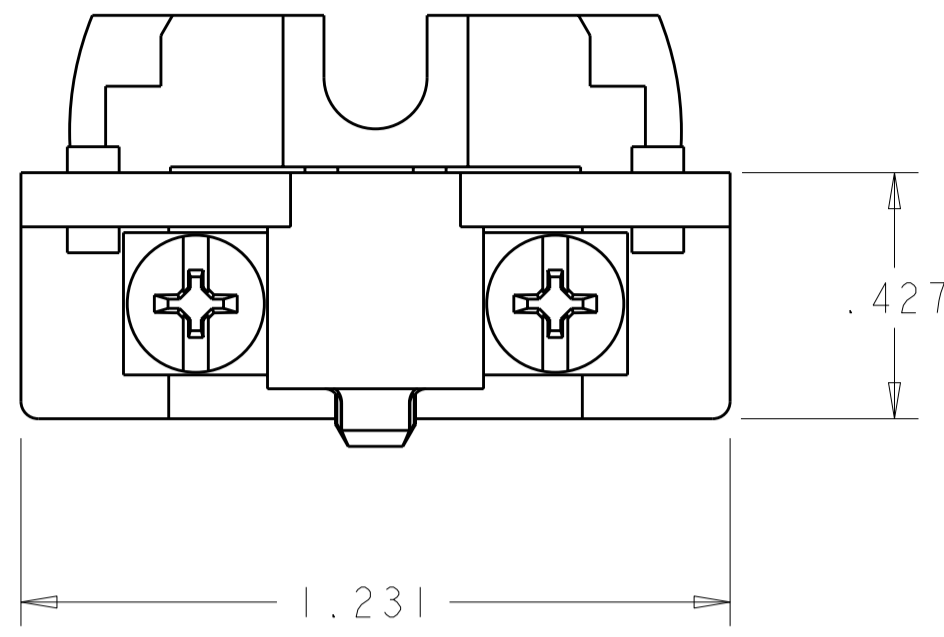


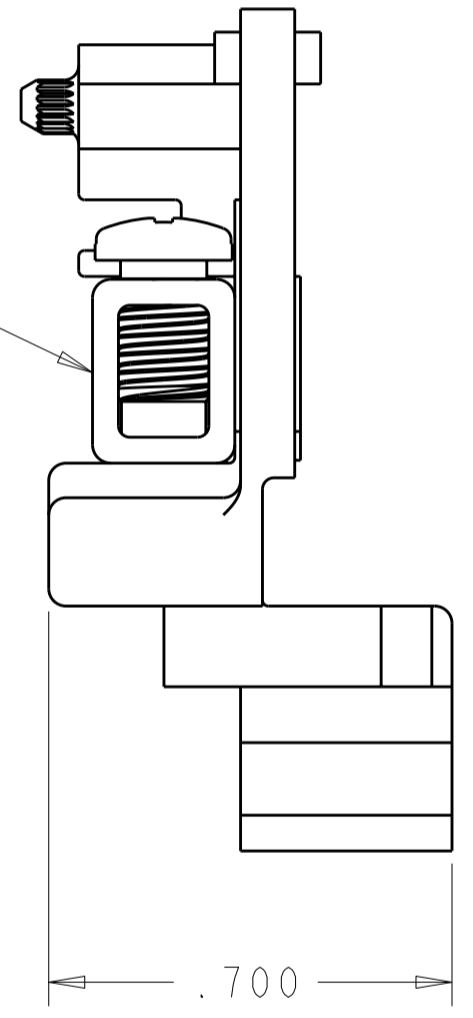
THIS DRAWING IS UNPUBLISHED. RELEASED FOR PUBLICATION 20
 © COPYRIGHT 20 BY - ALL RIGHTS RESERVED.

LOC		DIST		REVISIONS			
P	LTR	DESCRIPTION	DATE	DWN	APVD		
FT	0	EI	REVISD PER ECO-11-004917	12MAR2011	RK	HMR	

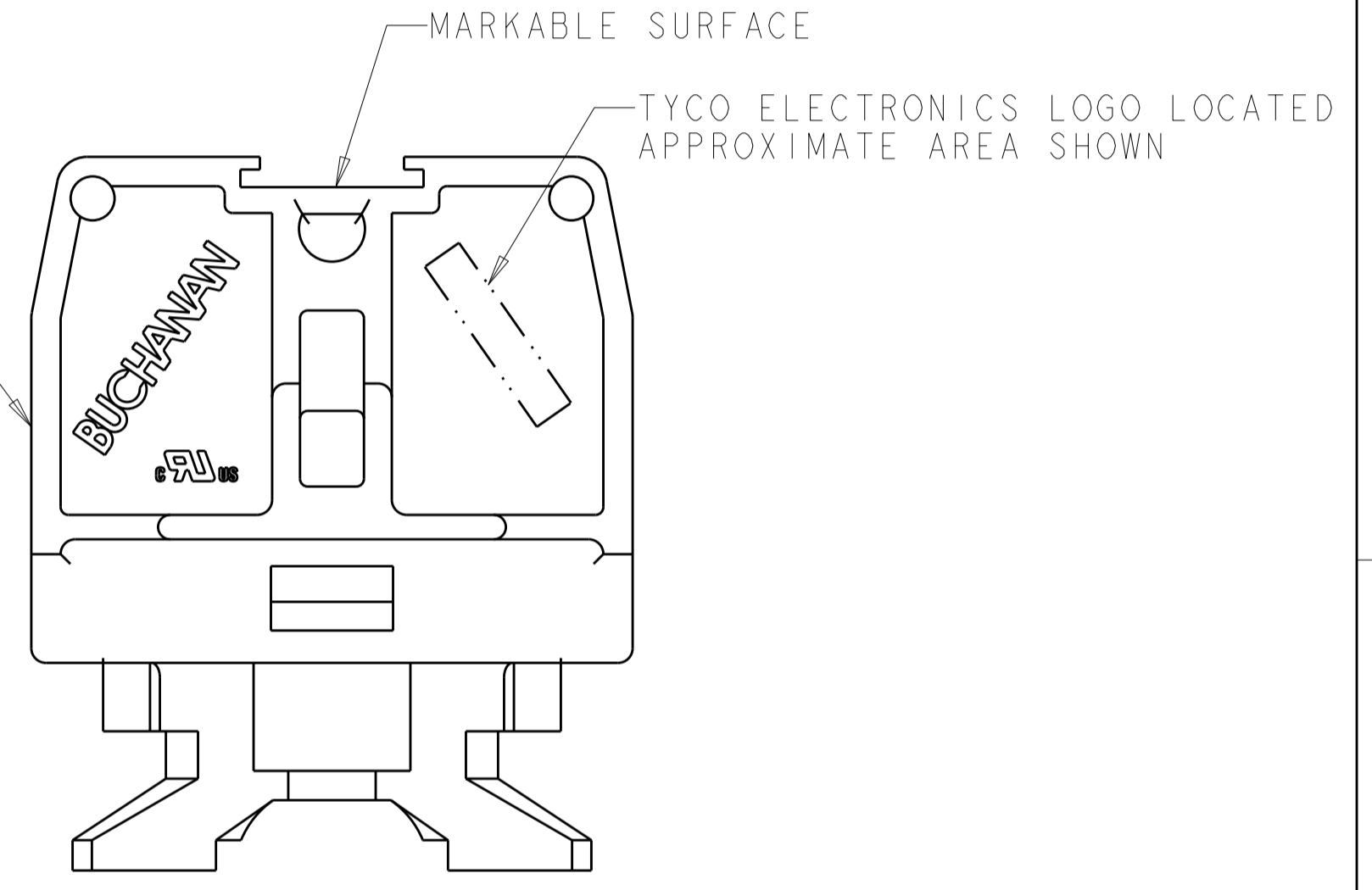


10-32 SCREW
QTY: 2

TUBULAR CONTACT



HOUSING



- 1. PHYSICAL PROPERTIES (STANDARD)
 HOUSING: POLYESTER, UL 94V-0 RATED, COLOR: GRAY.
 TUBULAR CONTACT: COPPER ALLOY, ZINC PLATED.
 SCREW: STEEL, ZINC PLATED CLEAR CHROMATE.
- 2. PHYSICAL PROPERTIES (DURAMAX)
 HOUSING: POLYESTER, UL 94V-0 RATED, COLOR: GRAY.
 TUBULAR CONTACT: COPPER ALLOY, NICKEL PLATED.
 SCREW: COPPER ALLOY, NICKEL PLATED.
- 3. MECHANICAL
 PITCH: .375
 MOUNTING: STANDARD CHANNEL AND CLAMP.
 OPERATING TEMPERATURE: 150°C MAX.
 TORQUE: RECOMMENDED TIGHTENING TORQUE IS 8 IN-LBS.
- 4. ELECTRICAL
 MAXIMUM CURRENT: 50A
 OPERATING VOLTAGE: 600 V
 WIRE RANGE: 8-22 AWG.
- 5. SEE RESTRICTED CUSTOMER DRAWING 4-1437394-7.

-	4-1437394-7	5
2	1546148-2	
1	1546148-1	
MATERIAL / FINISH	PART NUMBER	

THIS DRAWING IS A CONTROLLED DOCUMENT.		DWN S. WELDON 15JAN2002	TE Connectivity	
DIMENSIONS: INCHES		CHK S. YODER 15JAN2002		
TOLERANCES UNLESS OTHERWISE SPECIFIED:		APVD S. YODER 15JAN2002	NAME ASSEMBLY, TERMINAL BLOCK, NEMA, DOVETAIL BASE, MEDIUM DUTY, TUBULAR SCREW	
0 PLC ± 1 PLC ± 2 PLC ± 3 PLC ±.010 4 PLC ± ANGLES ± FINISH		PRODUCT SPEC -	SIZE A2	CAGE CODE 00779
SEE TABLE		APPLICATION SPEC -	DRAWING NO C-1546148	RESTRICTED TO -
SEE TABLE		WEIGHT -	SCALE 3:1	SHEET 1 OF 1 REV EI

X-ON Electronics

Largest Supplier of Electrical and Electronic Components

Click to view similar products for [DIN Rail Terminal Blocks](#) category:

Click to view products by [TE Connectivity](#) manufacturer:

Other Similar products are found below :

[00110420202](#) [8WA1011-1BH23](#) [8WA1011-1EF20](#) [91.010](#) [9102100000](#) [91.040](#) [9123140000](#) [9123140001](#) [RBO 5-T-B-HEX](#) [1333564](#) [DP25-GY-ND](#) [1431306](#) [1433306](#) [90.070](#) [90.202](#) [91.020](#) [912314](#) [260-301_NR](#) [2757571](#) [280-331](#) [280-560](#) [280-564](#) [281-611/281-542](#) [281-673/281-411](#) [281-994](#) [283-317](#) [283-607](#) [2909798](#) [264-724](#) [264-726](#) [280-530](#) [280-555](#) [280-619](#) [281-610](#) [281-622/281-417](#) [284-317](#) [284-601](#) [2907033](#) [3048496](#) [5542152](#) [35956](#) [USK 10](#) [102510](#) [1025100000](#) [5520682](#) [5607102](#) [EMH 25-ZE30](#) [591620-2](#) [UM 45-SEFE M.NUT BK](#) [1-591651-1](#)