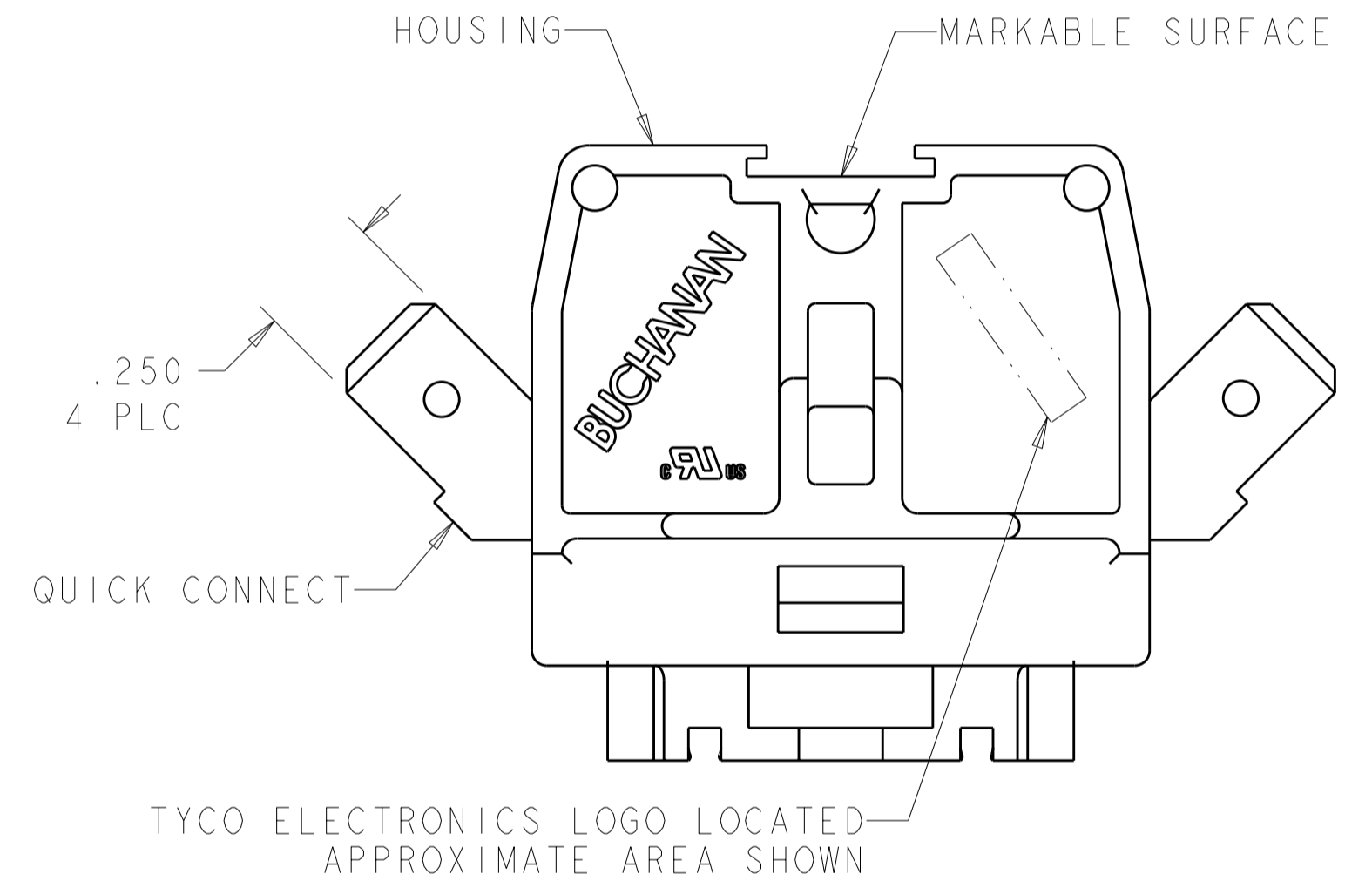
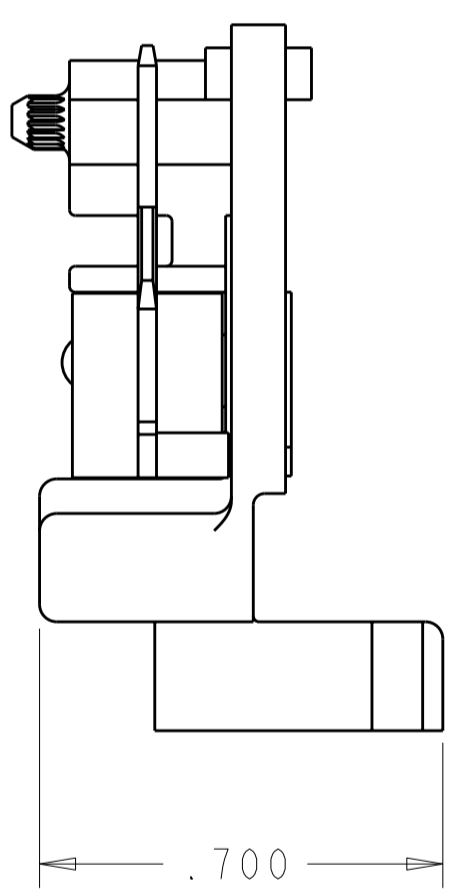
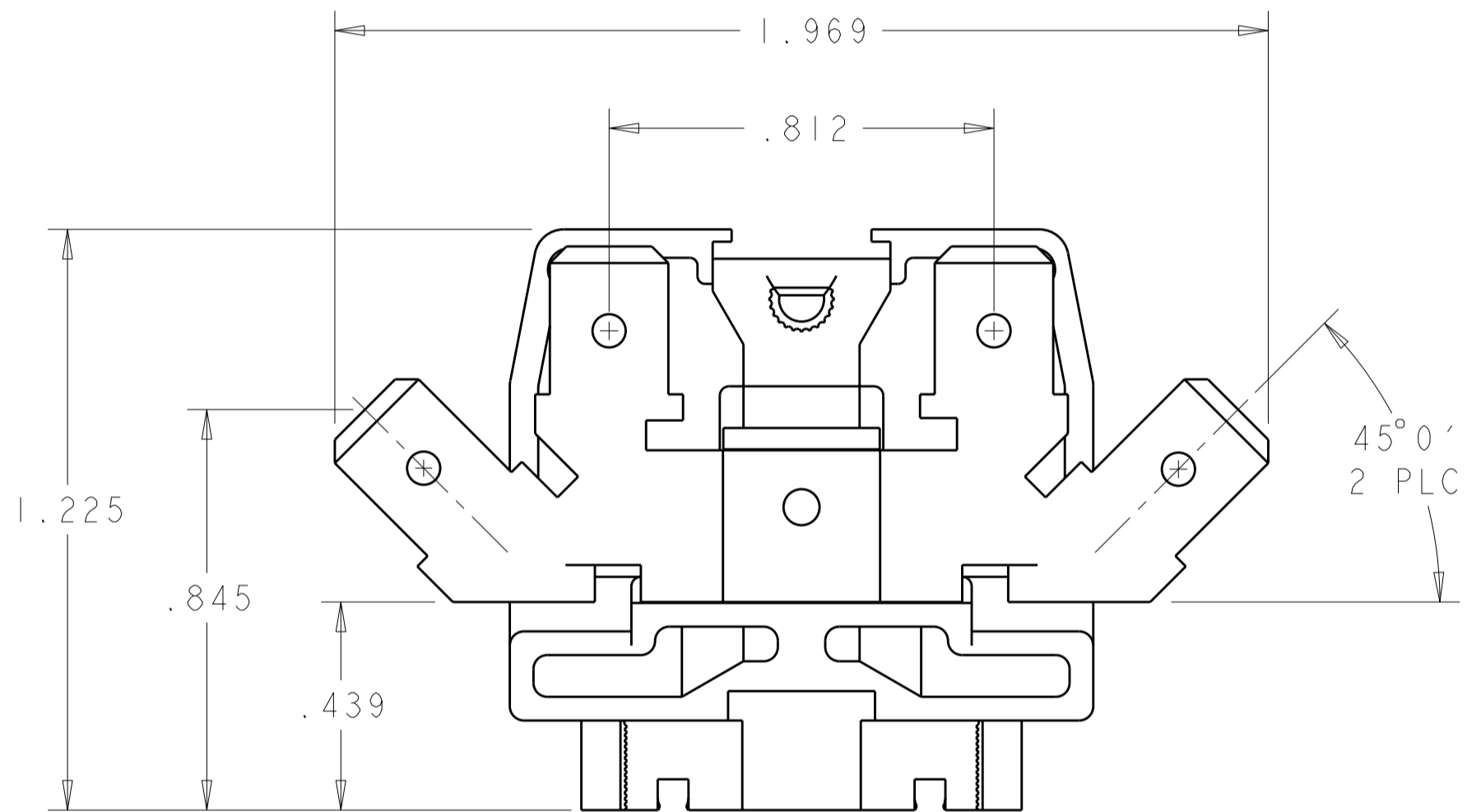
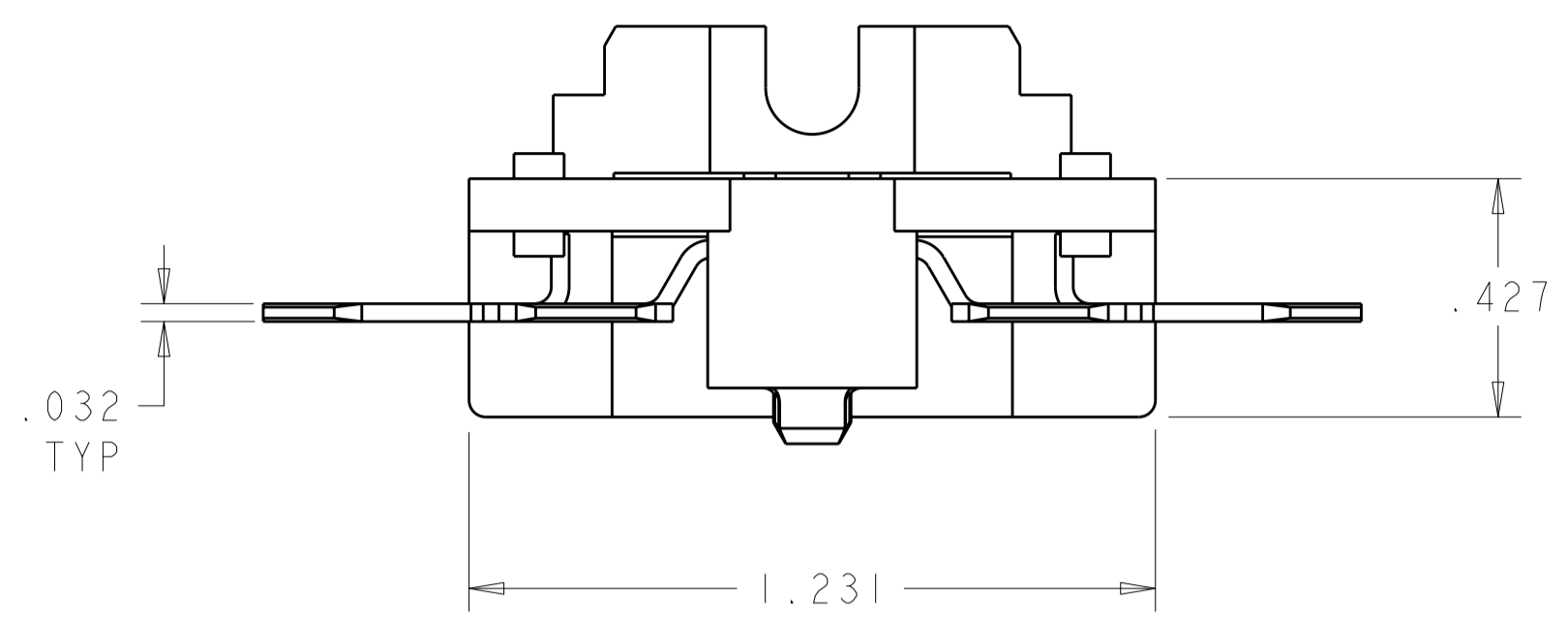


THIS DRAWING IS UNPUBLISHED. RELEASED FOR PUBLICATION 20
 © COPYRIGHT 20 BY TYCO ELECTRONICS CORPORATION. ALL RIGHTS RESERVED.

LOC	DIST	REVISIONS			
P	LTR	DESCRIPTION	DATE	DWN	APVD
FT	0				
	B	REVISED PER ECO-10-006414	26MAR2010	HMR	CR



- 1. PHYSICAL PROPERTIES
 HOUSING: POLYESTER, UL 94V-0 RATED, COLOR: GRAY.
 QUICK CONNECT: COPPER ALLOY, TIN PLATED.
- 2. MECHANICAL
 PITCH: .375
 MOUNTING: DIRECT MOUNT OR MINIATURE CHANNEL.
 OPERATING TEMPERATURE: 150°C MAX.
- 3. ELECTRICAL
 MAXIMUM CURRENT: 20A
 OPERATING VOLTAGE: 300 V

1546149-1
 PART NUMBER

THIS DRAWING IS A CONTROLLED DOCUMENT FOR TYCO ELECTRONICS CORPORATION. IT IS SUBJECT TO CHANGE AND THE CONTROLLING ENGINEERING ORGANIZATION SHOULD BE CONTACTED FOR THE LATEST REVISION.		DWN S. WELDON 17JUN2002	Tyco Electronics Harrisburg, PA 17105-3608															
DIMENSIONS: INCHES		CHK S. YODER 17JUN2002	NAME ASSEMBLY, TERMINAL BLOCK, NEMA, FLAT BASE, MEDIUM DUTY, FOUR SIDED QUICK CONNECT															
TOLERANCES UNLESS OTHERWISE SPECIFIED:		APVD S. YODER 17JUN2002																
<table border="0"> <tr><td>0 PLC</td><td>±</td></tr> <tr><td>1 PLC</td><td>±</td></tr> <tr><td>2 PLC</td><td>±</td></tr> <tr><td>3 PLC</td><td>±.010</td></tr> <tr><td>4 PLC</td><td>±</td></tr> <tr><td>ANGLES</td><td>±</td></tr> <tr><td>FINISH</td><td>±</td></tr> </table>		0 PLC	±	1 PLC	±	2 PLC	±	3 PLC	±.010	4 PLC	±	ANGLES	±	FINISH	±	PRODUCT SPEC -	SIZE A2	CAGE CODE 00779
0 PLC	±																	
1 PLC	±																	
2 PLC	±																	
3 PLC	±.010																	
4 PLC	±																	
ANGLES	±																	
FINISH	±																	
MATERIAL		APPLICATION SPEC -	DRAWING NO. 1546149	RESTRICTED TO -														
<table border="0"> <tr><td>△</td><td>-</td></tr> <tr><td>△</td><td>-</td></tr> </table>		△	-	△	-	WEIGHT -	SCALE 3:1	SHEET 1 OF 1 REV B										
△	-																	
△	-																	
CUSTOMER DRAWING																		

X-ON Electronics

Largest Supplier of Electrical and Electronic Components

Click to view similar products for [Fixed Terminal Blocks](#) category:

Click to view products by [TE Connectivity](#) manufacturer:

Other Similar products are found below :

[MBE-1512](#) [MBE-154](#) [MBE-156](#) [MBES-153](#) [MBES-156](#) [MH-2512](#) [MHE-132](#) [MHE-163](#) [MI-254 \(35\)](#) [MI-272](#) [880507](#) [MPT-275](#)
[15602-04-08-21](#) [ELM023100](#) [BA311TU](#) [BA411SU](#) [MV-152](#) [MV-252-D](#) [MV-253/NCNOC](#) [MV-254-D](#) [MV-255](#) [MV-462](#) [MV-493](#) [MVE-](#)
[253](#) [MVE-273](#) [MVEB-153](#) [1700096](#) [1705142](#) [1712417](#) [1713020](#) [1713088](#) [1745195](#) [1760594](#) [1776118-2](#) [1790852](#) [1-796689-8](#) [1-796692-6](#)
[1800001](#) [1800114](#) [1995279](#) [20020314-C121B01LF](#) [CB2-12](#) [KP03215000J0G](#) [KP04215000J0G](#) [S451](#) [282802-2](#) [29.007](#) [29.116](#) [30.103](#)
[30.106](#)