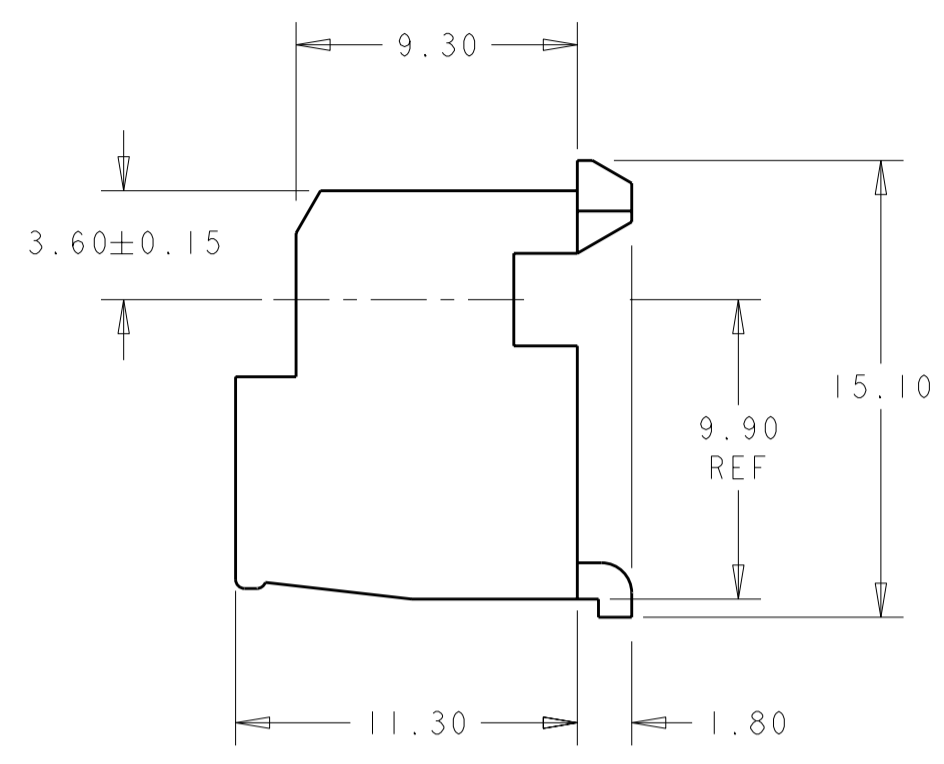
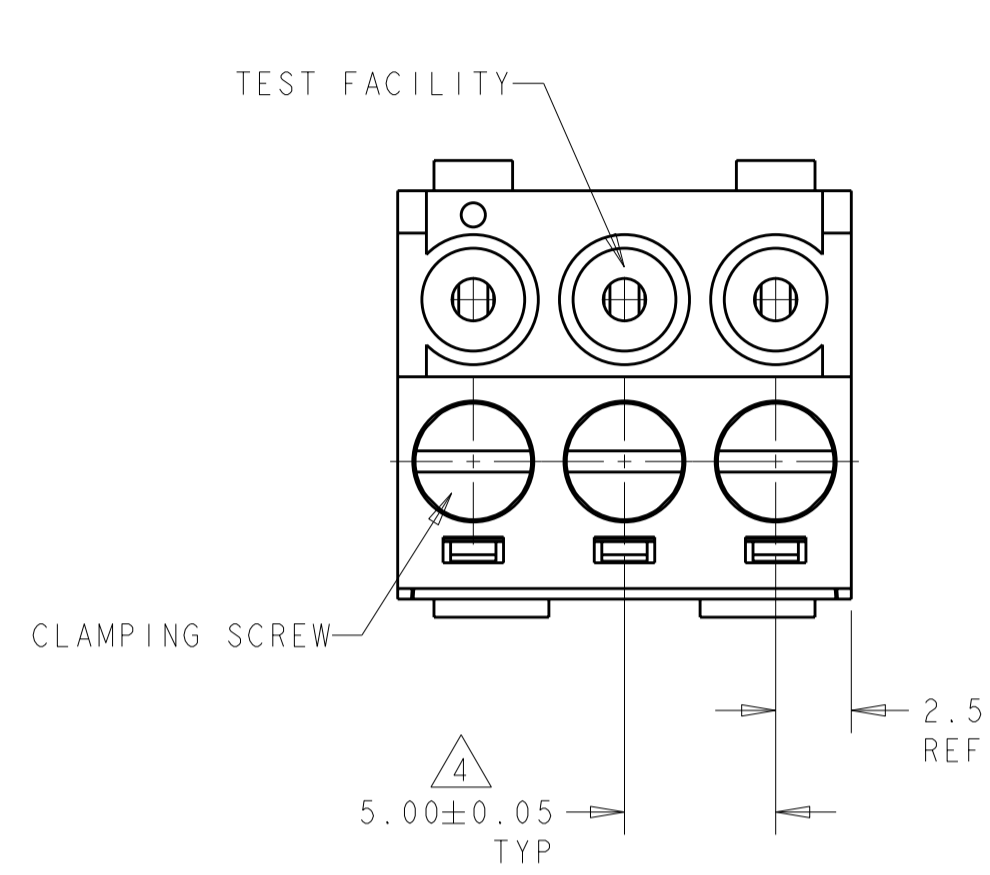
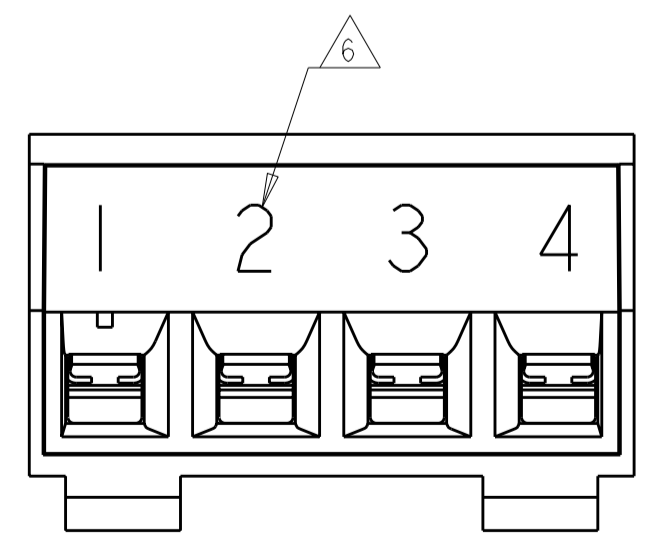
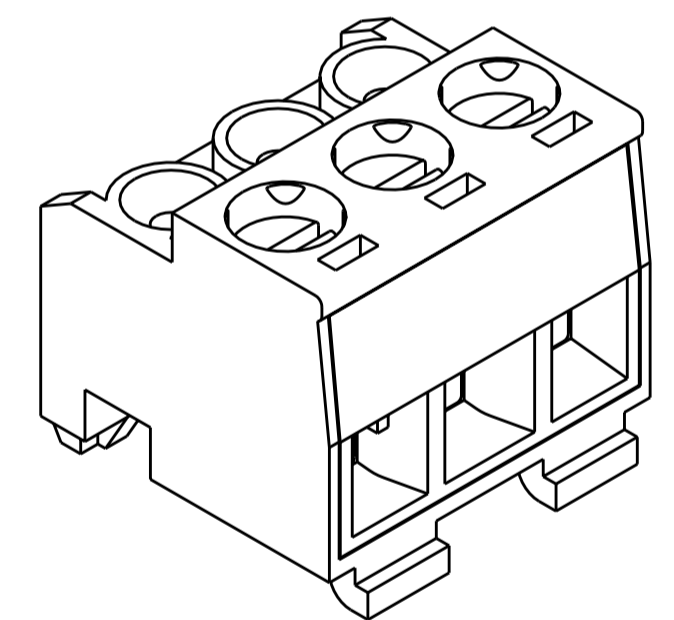
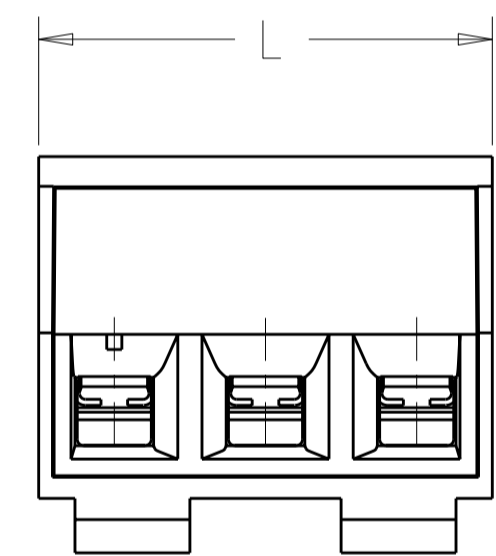


THIS DRAWING IS UNPUBLISHED. RELEASED FOR PUBLICATION 20
 © COPYRIGHT 20 BY TYCO ELECTRONICS CORPORATION. ALL RIGHTS RESERVED.

LOC	DIST	REVISIONS			
P	LTR	DESCRIPTION	DATE	DWN	APVD
	D	REVISED ECO-05-007228	30AUG2005	SW	CR
	DI	ADDED 1--5, ECO-05-010011	09NOV2005	SW	CR
	E	REVISED ECO-06-022418	26SEP2006	SW	CR
	F	REVISED PER ECO-08-003247	06FEB2008	SS	CR



- 1 MATERIAL AND FINISH
 HOUSING: PA 6.6, UL 94 V-0 RATED, COLOR: GREEN.
 CLAMP: BRASS, NICKEL PLATED.
 TERMINAL: BRASS, TIN PLATED.
 CONTACT SPRING: PHOSPHOR BRONZE, TIN PLATED.
 CLAMPING SCREW: BRASS, NICKEL PLATED.
- 2. END-TO-END STACKABLE WITHOUT LOSS OF CENTERLINE SPACING.
- 3. WIRE RANGE: 14-30 AWG.
- 4 NOT CUMULATIVE TOLERANCE.
- 5. BUCHANAN LOGO TO APPEAR ON HOUSING, LOCATION OPTIONAL WHERE SPACE PERMITS.
- 6 MARKED WITH PERMANENT WHITE INK IN APPROX AREA SHOWN.



DETAIL Z

PRELIMINARY	SEE DETAIL Z	4	ALL	20.0	4	1-1546173-5
-	-	5	1, 3, 5, 7, 8	40.0	8	1-1546173-4
-	-	12	ALL	60.0	12	1-1546173-2
-	-	11	ALL	55.0	11	1-1546173-1
-	-	10	ALL	50.0	10	1-1546173-0
-	-	9	ALL	45.0	9	1546173-9
-	-	8	ALL	40.0	8	1546173-8
-	-	7	ALL	35.0	7	1546173-7
-	-	6	ALL	30.0	6	1546173-6
-	-	5	ALL	25.0	5	1546173-5
-	-	4	ALL	20.0	4	1546173-4
-	-	3	ALL	15.0	3	1546173-3
-	-	2	ALL	10.0	2	1546173-2
SPECIAL MARKING		QTY	SELECTIVELY LOADED IN POSITIONS	L	NO OF POSN	PART NUMBER
		CONTACTS				

<small>THIS DRAWING IS A CONTROLLED DOCUMENT FOR TYCO ELECTRONICS CORPORATION IT IS SUBJECT TO CHANGE AND THE CONTROLLING ENGINEERING ORGANIZATION SHOULD BE CONTACTED FOR THE LATEST REVISION.</small>		DWN S.WELDON 18APR2002 CHK D.BIEVENOUR 18APR2002 APVD D.BIEVENOUR 18APR2002	Tyco Electronics Harrisburg, PA 17105-3608
DIMENSIONS: mm	TOLERANCES UNLESS OTHERWISE SPECIFIED: 0 PLC ±- 1 PLC ±0.3 2 PLC ±0.25 3 PLC ±0.000 4 PLC ±0.000 ANGLES ±- FINISH	PRODUCT SPEC APPLICATION SPEC WEIGHT	NAME TERMINAL BLOCK, PLUG, 90 DEGREE, STACKING, 5.0mm PITCH
MATERIAL	FINISH	CUSTOMER DRAWING	SIZE A2 CAGE CODE 00779 DRAWING NO C-1546173 RESTRICTED TO
		SCALE 4:1	SHEET 1 OF 1 REV F

X-ON Electronics

Largest Supplier of Electrical and Electronic Components

Click to view similar products for [Pluggable Terminal Blocks](#) category:

Click to view products by [TE Connectivity](#) manufacturer:

Other Similar products are found below :

[57.510.0053](#) [MC 1.5/ 6-ST-3.5 GY AU](#) [ET02015000J0G](#) [734-104](#) [734-302](#) [8-141-P](#) [8426620000](#) [860505](#) [860516](#) [860810](#) [GBPACX-12](#)
[93.731.4953.0](#) [PV05-5,08-K](#) [PVP03-3,50](#) [PVP04-3,50](#) [PVS02-5,00](#) [1-1986160-3](#) [1377680000](#) [1531000000](#) [1546228-5](#) [ELFH16150](#)
[ELFP03110](#) [ELFP10210](#) [ELFT06250](#) [ELVP03100](#) [1700101](#) [1700410](#) [1700425](#) [1702246](#) [1705229](#) [1710175](#) [1714537](#) [1717806](#) [1719600](#)
[1728941](#) [1734692](#) [1734795](#) [1736036](#) [1740194](#) [1740628](#) [1740990](#) [1746952](#) [1750207](#) [1752441](#) [1752865](#) [1754115](#) [1754144](#) [1756913](#)
[1760051](#) [1760336](#)