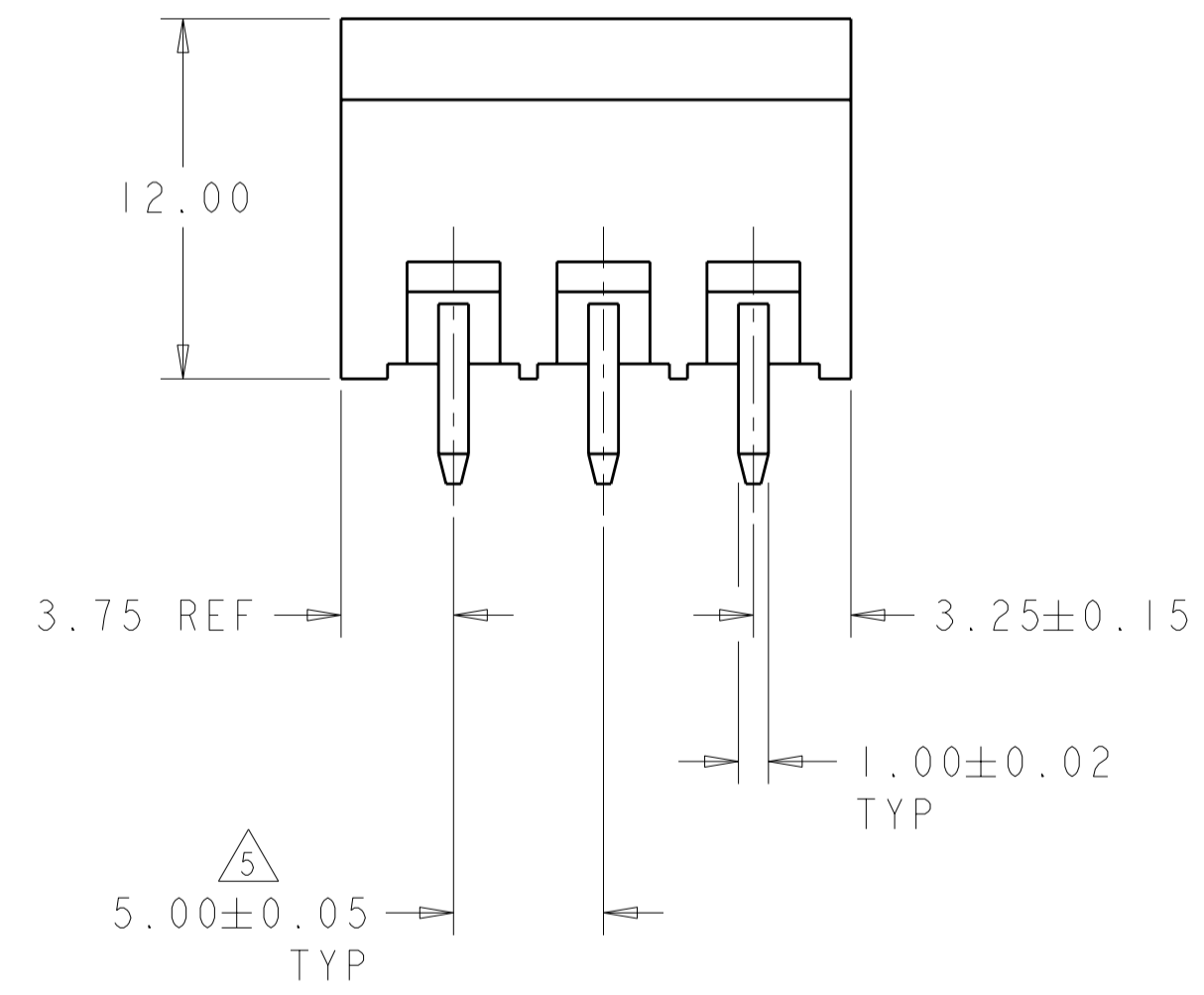
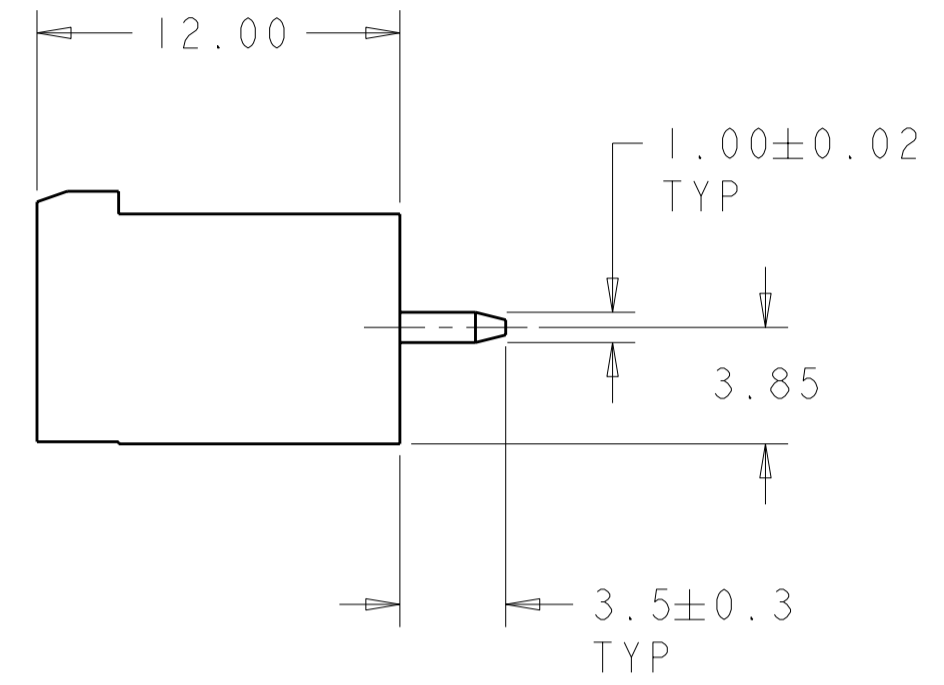
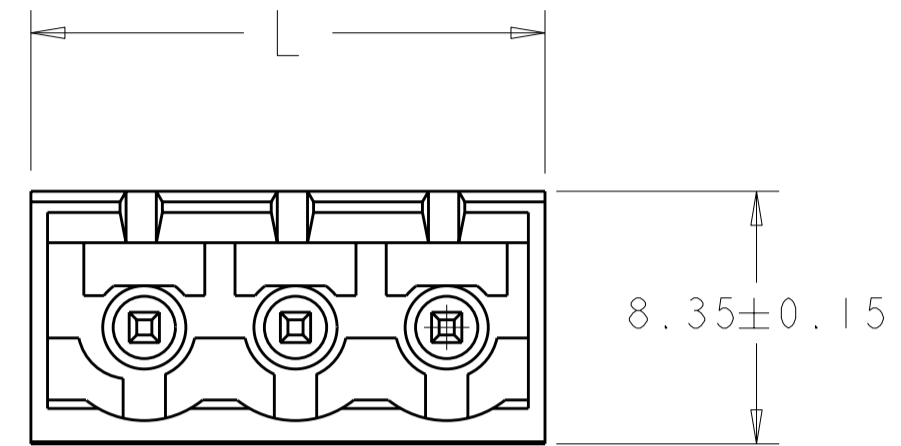


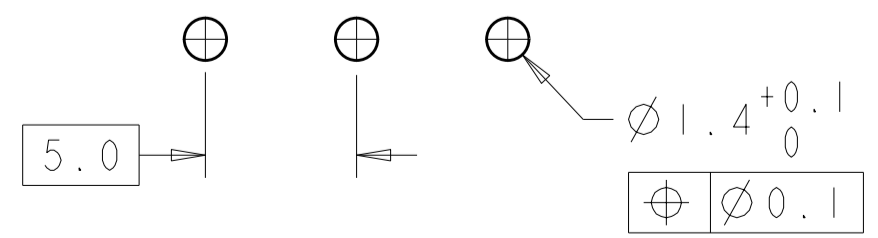
THIS DRAWING IS UNPUBLISHED. RELEASED FOR PUBLICATION 20  
 © COPYRIGHT 20 Tyco Electronics AMP GmbH ALL RIGHTS RESERVED.

LOC	DIST	REVISIONS			
P	LTR	DESCRIPTION	DATE	DWN	APVD
FT	0	AI	REVISED PER ECO-12-007964	02MAY2012	KH MS



- 1. MATERIALS AND FINISH:  
 HOUSING: PA 6-6, UL 94-V0, COLOR: GRAY.  
 TERMINAL: COPPER ALLOY, TIN PLATED.
- 2. SUITABLE FOR 1,6-2, 4mm PC BOARD THICKNESS.
- 3. RECOGNIZED UNDER THE COMPONENT PROGRAM OF UNDERWRITERS LABORATORIES INC. FILE N° E60677.
- 4. IMQ CERTIFICATE WITH SURVEILLANCE IN CONFORMITY WITH IEC 998-1/998-2-1.)
- 5. NOT CUMULATIVE TOLERANCE
- 6. BUCHANAN LOGO TO APPEAR ON HOUSING, LOCATION OPTIONAL WHERE SPACE PERMITS.

127.0	25	2-1546211-5
122.0	24	2-1546211-4
117.0	23	2-1546211-3
112.0	22	2-1546211-2
107.0	21	2-1546211-1
102.0	20	2-1546211-0
97.0	19	1-1546211-9
92.0	18	1-1546211-8
87.0	17	1-1546211-7
82.0	16	1-1546211-6
77.0	15	1-1546211-5
72.0	14	1-1546211-4
67.0	13	1-1546211-3
62.0	12	1-1546211-2
57.0	11	1-1546211-1
52.0	10	1-1546211-0
47.0	9	1546211-9
42.0	8	1546211-8
37.0	7	1546211-7
32.0	6	1546211-6
27.0	5	1546211-5
22.0	4	1546211-4
17.0	3	1546211-3
12.0	2	1546211-2
L	NO OF POSN	PART NUMBER



RECOMMENDED PC BOARD LAYOUT

THIS DRAWING IS A CONTROLLED DOCUMENT.		DWN S. WELDON 05NOV2003	TE Connectivity	
DIMENSIONS: mm		CHK C. RICHARD 05NOV2003		
TOLERANCES UNLESS OTHERWISE SPECIFIED:		APVD C. RICHARD 05NOV2003	NAME: TERMINAL BLOCK HEADER ASSEMBLY	
0 PLC ±		PRODUCT SPEC	180 DEGREE, CLOSED ENDS, 5.00mm PITCH	
1 PLC ±0.3		APPLICATION SPEC	5.00mm PITCH	
2 PLC ±0.25		WEIGHT	SIZE A2	CAGE CODE C-1546211
3 PLC ±		CUSTOMER DRAWING	SCALE 4:1	SHEET 1 OF 1
4 PLC ±				REV AI
ANGLES ±				
FINISH				

## X-ON Electronics

Largest Supplier of Electrical and Electronic Components

*Click to view similar products for [Pluggable Terminal Blocks](#) category:*

*Click to view products by [TE Connectivity](#) manufacturer:*

Other Similar products are found below :

[57.510.0053](#) [MC 1.5/ 6-ST-3.5 GY AU](#) [734-104](#) [734-302](#) [8-141-P](#) [8426620000](#) [860505](#) [860516](#) [860810](#) [GBPACX-12](#) [93.731.4953.0](#) [PV05-5,08-K](#) [PVP02-5,00](#) [PVP03-3,50](#) [PVP04-3,50](#) [PVS02-5,00](#) [1-1986160-3](#) [1377680000](#) [1531000000](#) [1546228-5](#) [ELFH16150](#) [ELFP03110](#) [ELFP10210](#) [ELFT06250](#) [ELVP03100](#) [1700101](#) [1700410](#) [1700425](#) [1702246](#) [1705229](#) [1710175](#) [1714537](#) [1717806](#) [1719600](#) [1728941](#) [1734692](#) [1734795](#) [1736036](#) [1740194](#) [1740291](#) [1740628](#) [1740990](#) [1746952](#) [1750207](#) [1752441](#) [1752865](#) [1754115](#) [1754144](#) [1756913](#) [1760051](#)