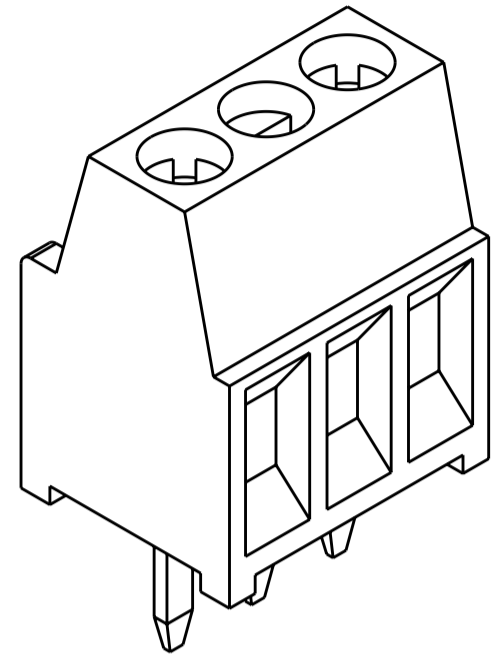
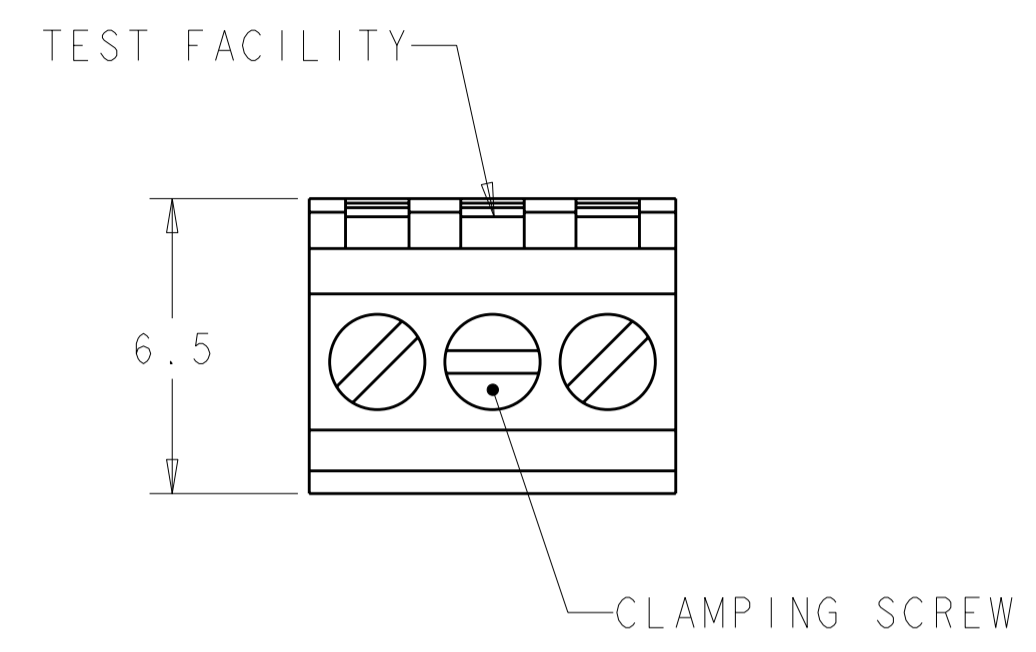


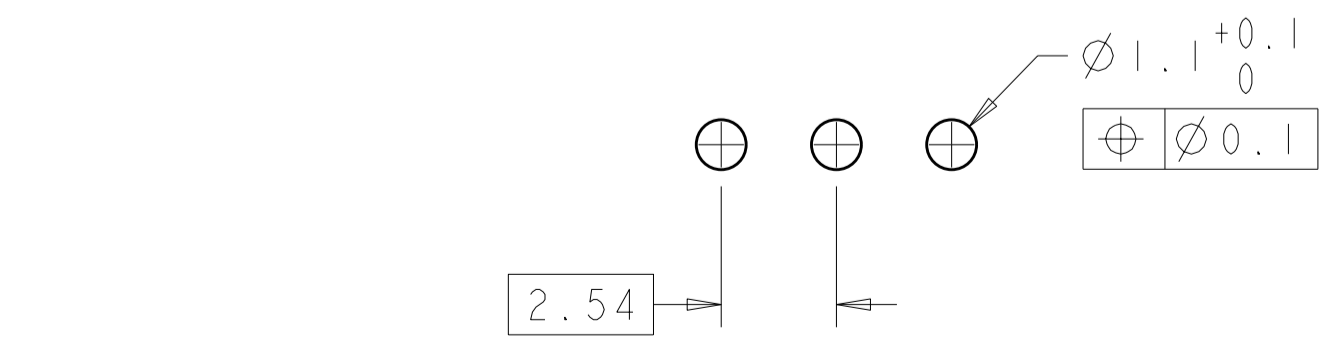
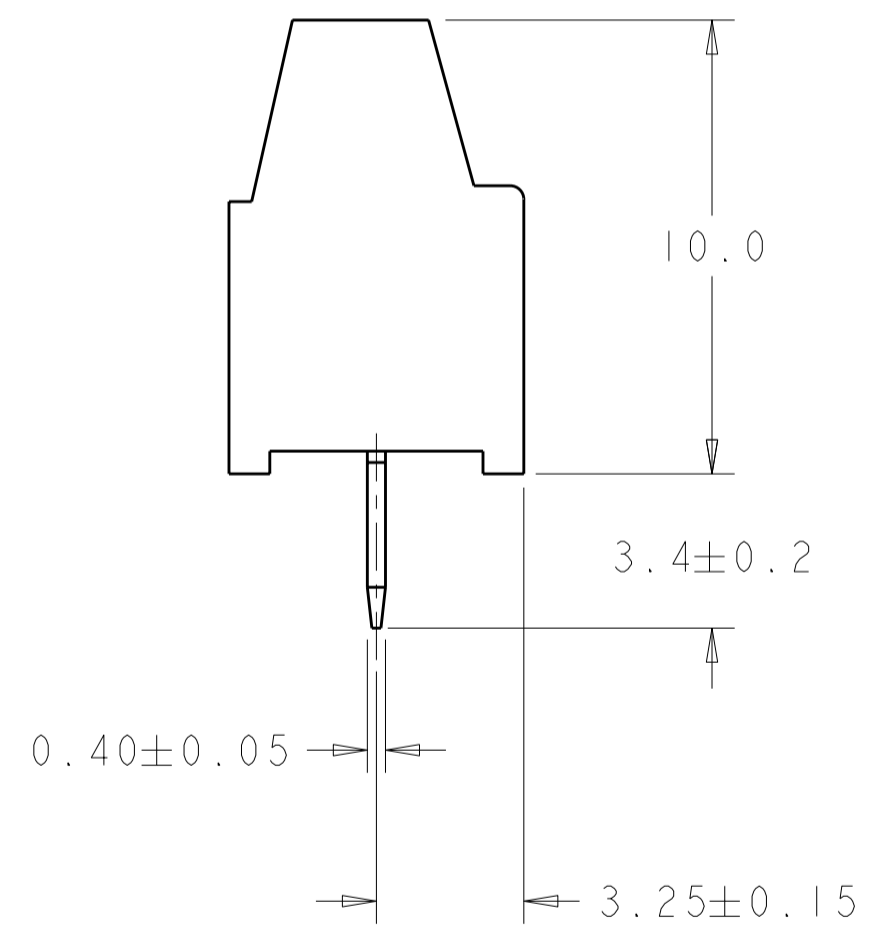
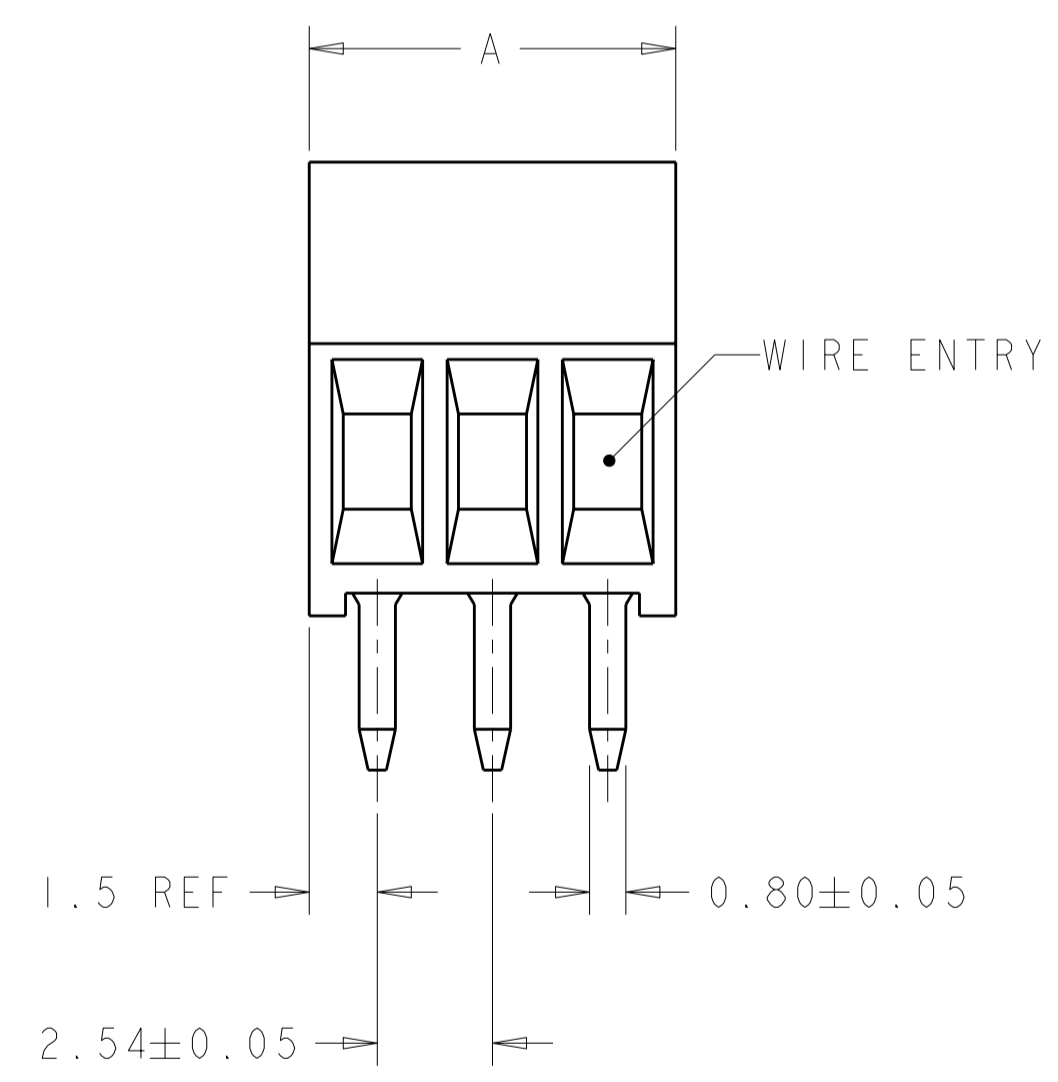
THIS DRAWING IS UNPUBLISHED. RELEASED FOR PUBLICATION 20  
 © COPYRIGHT 20 ALL RIGHTS RESERVED.

LOC	DIST	REVISIONS			
P	LTR	DESCRIPTION	DATE	DWN	APVD
FT	0	AI	REVISED PER ECO-11-007905	15APR2011	HMR CR



1546215-3 AS SHOWN

- ⚠ MATERIAL AND FINISH:  
 HOUSING: PA 6-6, UL 94-V0, COLOR: GRAY.  
 CLAMP: BRASS, NICKEL PLATED.  
 TERMINAL: BRASS, TIN PLATED.  
 CLAMPING SCREW: M1.6, STAINLESS STEEL.
- SUITABLE FOR 1,6-2,4mm PCB BOARD THICKNESS.
  - WIRE RANGE: 16-30 AWG.
  - RECOGNIZED UNDER THE COMPONENT PROGRAM OF UNDERWRITERS LABORATORIES INC. FILE N° E60677.
  - POSSIBILITY TO PUT TWO OR THREE TERMINAL BLOCKS SIDE BY SIDE BY INCREASING THE DIAMETER OF THE PCB HOLES TO MINIMUM 1,3mm.
  - TORQUE: 1.73 in-lbs MAX



RECOMMENDED PC BOARD LAYOUT

30.94	12	1-1546215-2
28.40	11	1-1546215-1
25.86	10	1-1546215-0
23.32	9	1546215-9
20.78	8	1546215-8
18.24	7	1546215-7
15.70	6	1546215-6
13.16	5	1546215-5
10.62	4	1546215-4
8.08	3	1546215-3
5.54	2	1546215-2
A	NO OF POSN	PART NUMBER

THIS DRAWING IS A CONTROLLED DOCUMENT.		DWN S.WELDON 09MAR2004	<b>STE</b> TE Connectivity	
DIMENSIONS: mm		CHK C.RICHARD 09MAR2004		
TOLERANCES UNLESS OTHERWISE SPECIFIED:		APVD C.RICHARD 09MAR2004	NAME TERMINAL BLOCK ASSEMBLY, PCB MOUNT, SIDE WIRE ENTRY, STACKING, 2.54mm PITCH	
0 PLC ±.3		PRODUCT SPEC 108-20166	SIZE CAGE CODE DRAWING NO	
1 PLC ±.25		APPLICATION SPEC 114-20079	A200779C-1546215	
2 PLC ±.25		WEIGHT -	RESTRICTED TO	
3 PLC ±.		CUSTOMER DRAWING	SCALE 5:1 SHEET OF REV AI	
4 PLC ±.				
ANGLES ±2				
FINISH				

## X-ON Electronics

Largest Supplier of Electrical and Electronic Components

*Click to view similar products for [Fixed Terminal Blocks](#) category:*

*Click to view products by [TE Connectivity](#) manufacturer:*

Other Similar products are found below :

[MBE-1512](#) [MBE-154](#) [MBE-156](#) [MBES-153](#) [MBES-156](#) [MH-2512](#) [MHE-132](#) [MHE-163](#) [MI-254 \(35\)](#) [MI-272](#) [880507](#) [MPT-275](#)  
[15602-04-08-21](#) [BA311TU](#) [BA411SU](#) [MV-152](#) [MV-252-D](#) [MV-253/NCNOC](#) [MV-254-D](#) [MV-255](#) [MV-462](#) [MV-493](#) [MVE-252](#) [MVE-253](#)  
[MVE-273](#) [MVEB-153](#) [1700096](#) [1705142](#) [1712417](#) [1713020](#) [1713088](#) [1745195](#) [1760594](#) [1776118-2](#) [1790852](#) [1-796689-8](#) [1-796692-6](#)  
[1800001](#) [1800114](#) [1995279](#) [20020314-C121B01LF](#) [CB2-12](#) [KP03215000J0G](#) [KP04215000J0G](#) [S451](#) [282802-2](#) [29.007](#) [29.116](#) [30.103](#)  
[30.106](#)