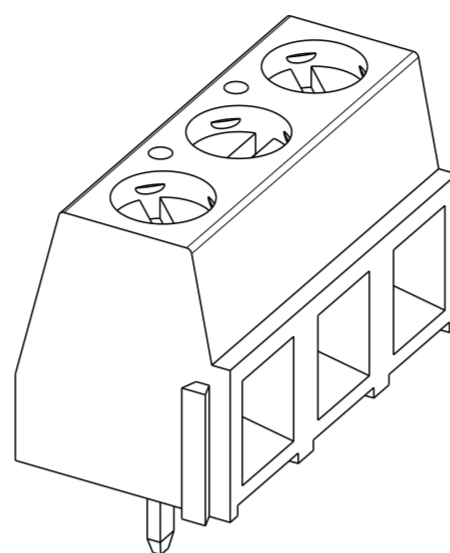
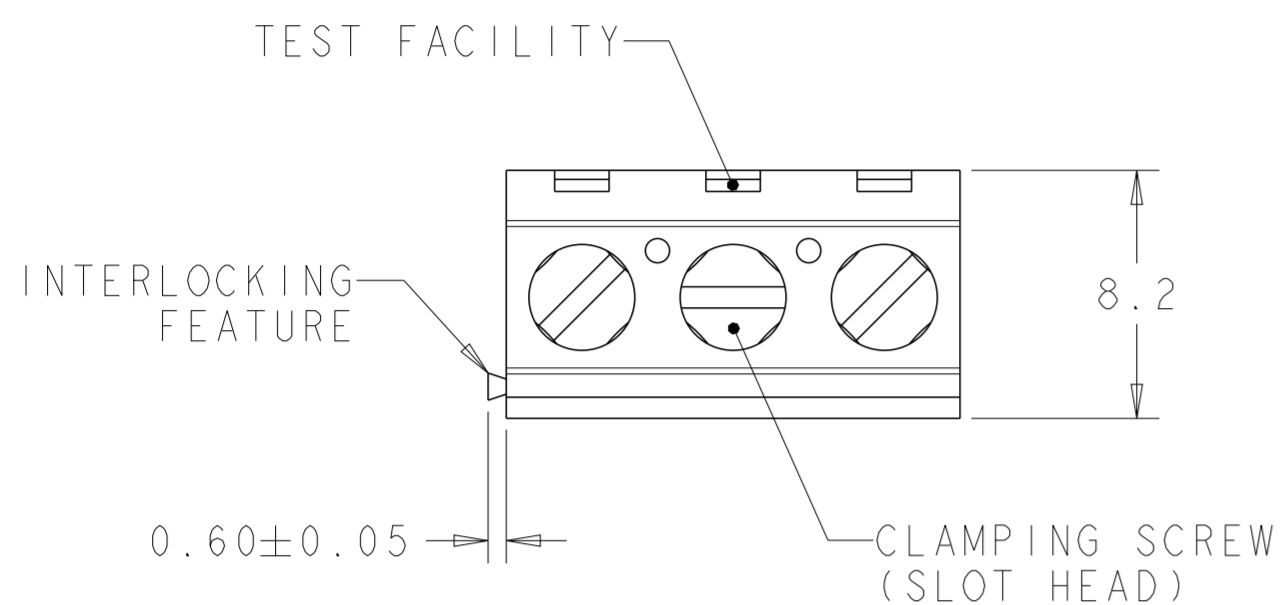
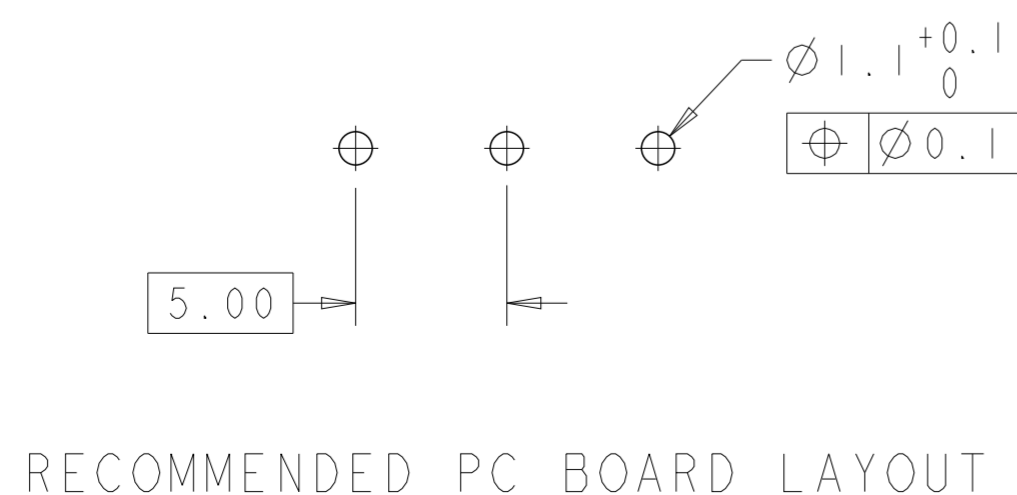
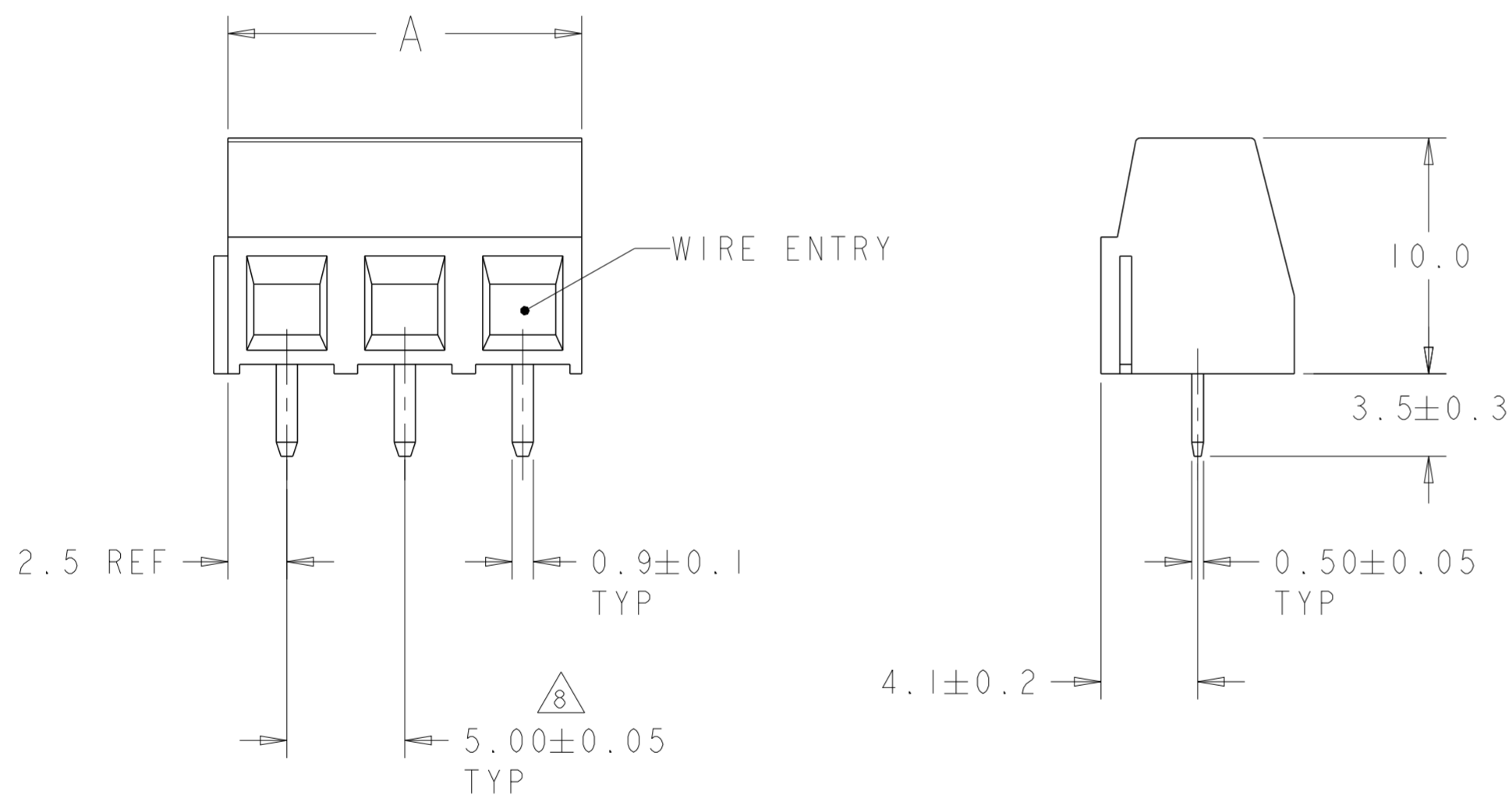
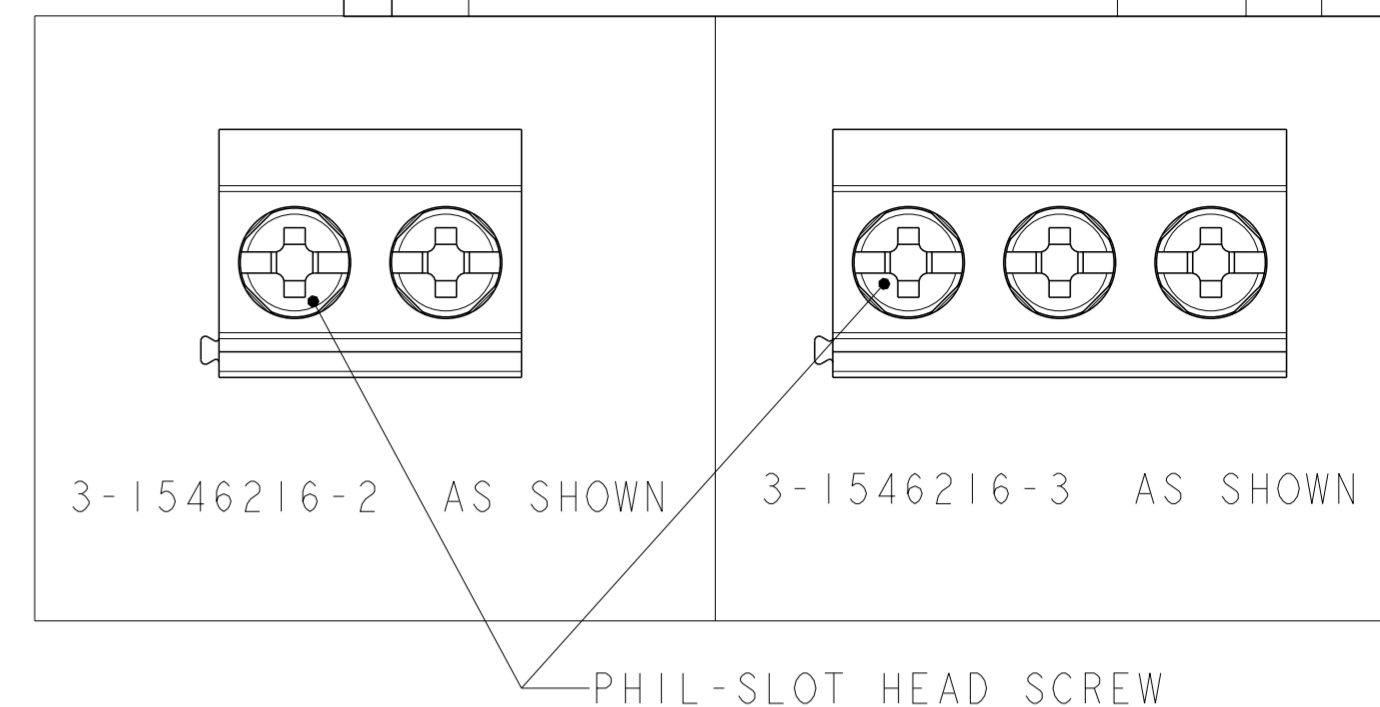


REVISIONS					
P	LTR	DESCRIPTION	DATE	DWN	APVD
	B1	PARTS 3-2 AND 3-3 ARE ADDED	18APR2018	RK	PS



1546216-3 AS SHOWN



OBSOLETE	15.0	3	3-1546216-3
	10.0	2	3-1546216-2
	125.0	25	<del>2-1546216-5</del>
	120.0	24	<del>2-1546216-4</del>
	115.0	23	<del>2-1546216-3</del>
	110.0	22	<del>2-1546216-2</del>
	105.0	21	<del>2-1546216-1</del>
	100.0	20	<del>2-1546216-0</del>
	95.0	19	<del>1-1546216-9</del>
	90.0	18	<del>1-1546216-8</del>
OBSOLETE	85.0	17	<del>1-1546216-7</del>
	80.0	16	<del>1-1546216-6</del>
	75.0	15	<del>1-1546216-5</del>
	70.0	14	<del>1-1546216-4</del>
	65.0	13	<del>1-1546216-3</del>
	60.0	12	<del>1-1546216-2</del>
	55.0	11	<del>1-1546216-1</del>
	50.0	10	<del>1-1546216-0</del>
	45.0	9	<del>1546216-9</del>
	40.0	8	<del>1546216-8</del>
OBSOLETE	35.0	7	<del>1546216-7</del>
	30.0	6	<del>1546216-6</del>
	25.0	5	<del>1546216-5</del>
	20.0	4	<del>1546216-4</del>
	15.0	3	<del>1546216-3</del>
	10.0	2	<del>1546216-2</del>
	A	NO OF POSN	PART NUMBER




THIS DRAWING IS A CONTROLLED DOCUMENT.		DWN S. WELDON 27FEB2004	TE Connectivity	
DIMENSIONS: mm		CHK C. RICHARD 27FEB2004		
TOLERANCES UNLESS OTHERWISE SPECIFIED:		APVD C. RICHARD 27FEB2004		
0 PLC ± 1 PLC ±0.3 2 PLC ±0.25 3 PLC ± 4 PLC ± ANGLES ±2° FINISH		PRODUCT SPEC 108-20166 APPLICATION SPEC 114-20079 WEIGHT - CUSTOMER DRAWING		
		NAME TB, PCB MOUNT, SIDE WIRE ENTRY, STACK W/INTERLOCK, 5.00mm PITCH		SIZE A2 CAGE CODE 00779 DRAWING NO C-1546216 RESTRICTED TO -
SCALE 4:1			SHEET 1 OF 2	REV B1

THIS DRAWING IS UNPUBLISHED. RELEASED FOR PUBLICATION 20  
 © COPYRIGHT 20 BY - ALL RIGHTS RESERVED.

REVISIONS				
P	LTR	DESCRIPTION	DATE	APVD
-		SEE SHEET 1	-	-

NOTES:

- 1. MATERIALS AND FINISH  
 HOUSING: PA 6-6, UL 94-V0, COLOR GRAY.  
 CLAMP: BRASS, NICKEL PLATED.  
 TERMINAL: BRASS, TIN PLATED.  
 CLAMPING SCREW: M3, BRASS, NICKEL PLATED.
- 2. MECHANICAL  
 WIRE STRIPPING LENGTH : 5.0-6.0 mm  
 MIN. PC BOARD HOLES DIAMETER : 1.1 mm  
 MAX. PC BOARD THICKNESS : 2.4 mm  
 RECOMMENDED TIGHTENING TORQUE FOR SCREW: 0.5 Nm.
- 3. ELECTRICAL  
 WIRE SIZE RANGE : 16-30 AWG.  
 MAX. VOLTAGE : 300 V  
 MAX CURRENT : 13.5 A  
 CONTACT RESISTANCE : <15 m Ohm  
 INSULATION RESISTANCE : >1000 M Ohm (500V DC)
- 4. OPERATING TEMPERATURE RANGE: -40°C TO +110°C
- 5. END-TO-END STACKABLE W/INTERLOCK WITHOUT LOSS OF CENTERLINE SPACING.
- 6. RECOGNIZED UNDER THE COMPONENT PROGRAM OF UNDERWRITERS LABORATORIES INC., FILE NO E60677.
- 7. PACKED IN TRAY.
- 8. NOT CUMULATIVE TOLERANCE.
- 9. PHIL-SLOT HEAD SCREW: M3, BRASS, NICKEL PLATED.

THIS DRAWING IS A CONTROLLED DOCUMENT.		DWN S. WELDON 27FEB2004	 TE Connectivity	
DIMENSIONS: mm		CHK C. RICHARD 27FEB2004		
TOLERANCES UNLESS OTHERWISE SPECIFIED:		APVD C. RICHARD 27FEB2004	NAME TB, PCB MOUNT, SIDE WIRE ENTRY, STACK W/INTERLOCK, 5.00mm PITCH	
0 PLC ±-		PRODUCT SPEC 108-20166	RESTRICTED TO -	
1 PLC ±0.3		APPLICATION SPEC 114-20079	SIZE A2	CAGE CODE 00779
2 PLC ±0.25		WEIGHT -	DRAWING NO C-1546216	SCALE 4:1
3 PLC ±-		MATERIAL 	SHEET 2 OF 2	REV B1
4 PLC ±-		FINISH 	CUSTOMER DRAWING	
ANGLES ±2°				

## X-ON Electronics

Largest Supplier of Electrical and Electronic Components

*Click to view similar products for [Fixed Terminal Blocks](#) category:*

*Click to view products by [TE Connectivity](#) manufacturer:*

Other Similar products are found below :

[MBE-1512](#) [MBE-154](#) [MBE-156](#) [MBES-153](#) [MBES-156](#) [MH-2512](#) [MHE-132](#) [MHE-163](#) [MI-254 \(35\)](#) [MI-272](#) [880507](#) [MPT-275](#)  
[15602-04-08-21](#) [ELM023100](#) [BA311TU](#) [BA411SU](#) [MV-152](#) [MV-252-D](#) [MV-253/NCNOC](#) [MV-254-D](#) [MV-255](#) [MV-462](#) [MV-493](#) [MVE-](#)  
[252](#) [MVE-253](#) [MVE-273](#) [MVEB-153](#) [1700096](#) [1705142](#) [1712417](#) [1713020](#) [1713088](#) [1745195](#) [1760594](#) [1776118-2](#) [1790852](#) [1-796689-8](#)  
[1-796692-6](#) [1800001](#) [1800114](#) [1995279](#) [20020314-C121B01LF](#) [CB2-12](#) [KP03215000J0G](#) [KP04215000J0G](#) [S451](#) [282802-2](#) [29.007](#) [29.116](#)  
[30.103](#)