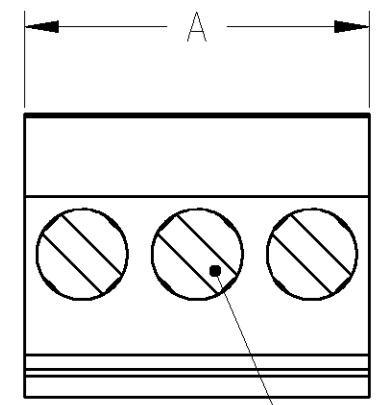


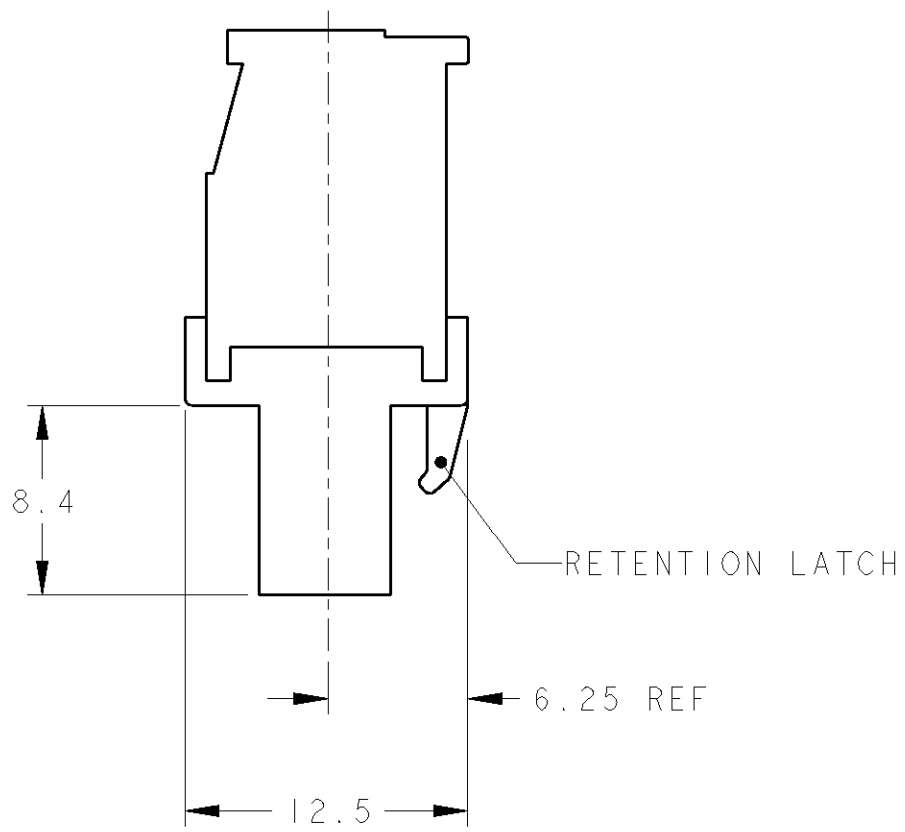
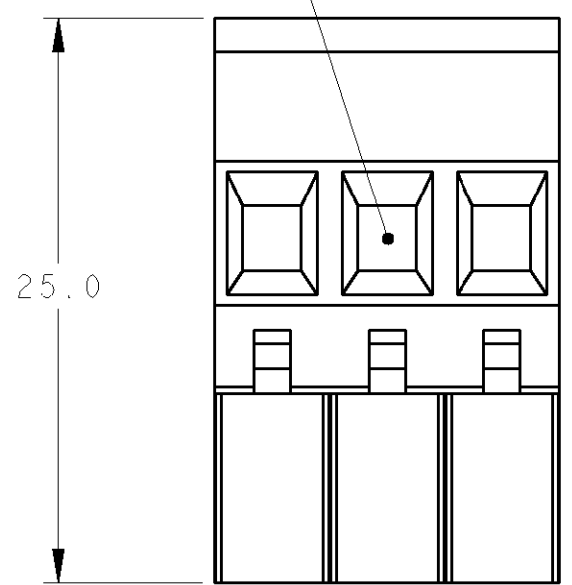
THIS DRAWING IS UNPUBLISHED. RELEASED FOR PUBLICATION 20
 © COPYRIGHT 20 BY TYCO ELECTRONICS CORPORATION. ALL RIGHTS RESERVED.

LOC	DIST	REVISIONS			
P	LTR	DESCRIPTION	DATE	DWN	APVD
	A	RELEASED	03SEP2002	SW	CR

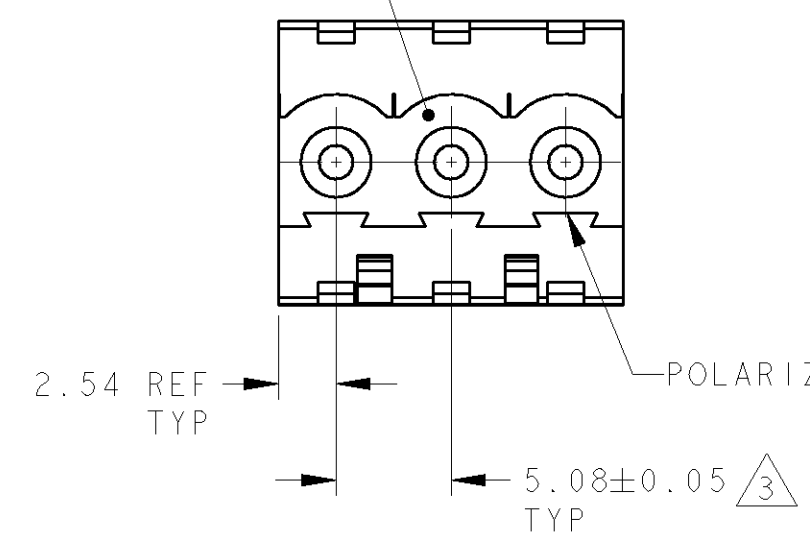


- 1 MATERIALS AND FINISH
 HOUSING: PA 6-6, UL 94-V0, COLOR: GRAY.
 CLAMP: BRASS, NICKEL PLATED.
 CONTACT SPRING : PHOSPHOR BRONZE, TIN PLATED.
 CLAMPING SCREW: M3, BRASS, NICKEL PLATED.
- 2. WIRE SIZE RANGE: 12 - 30 AWG
- 3 NOT CUMULATIVE TOLERANCE.

WIRE ENTRY CLAMPING SCREW



MATING FACE POLARIZATION KEY SLOT



127.00	25	2-1546224-5
121.92	24	2-1546224-4
116.84	23	2-1546224-3
111.76	22	2-1546224-2
106.68	21	2-1546224-1
101.60	20	2-1546224-0
96.52	19	1-1546224-9
91.44	18	1-1546224-8
86.36	17	1-1546224-7
81.28	16	1-1546224-6
76.20	15	1-1546224-5
71.12	14	1-1546224-4
66.04	13	1-1546224-3
60.96	12	1-1546224-2
55.88	11	1-1546224-1
50.80	10	1-1546224-0
45.72	9	1546224-9
40.64	8	1546224-8
35.56	7	1546224-7
30.48	6	1546224-6
25.40	5	1546224-5
20.32	4	1546224-4
15.24	3	1546224-3
10.16	2	1546224-2
A	NO OF POSN	PART NUMBER

THIS DRAWING IS A CONTROLLED DOCUMENT FOR TYCO ELECTRONICS CORPORATION IT IS SUBJECT TO CHANGE AND THE CONTROLLING ENGINEERING ORGANIZATION SHOULD BE CONTACTED FOR THE LATEST REVISION.

DWN	S. WELDON	03SEP2002	BUCHANAN Tyco Electronics Harrisburg, PA 17105-3608
CHK	C. RICHARD	03SEP2002	
APVD	C. RICHARD	03SEP2002	
PRODUCT SPEC			NAME
APPLICATION SPEC			TERMINAL BLOCK VERTICAL PLUG STACKING LEFT HAND 5.08mm PITCH
WEIGHT			RESTRICTED TO
CUSTOMER DRAWING			SCALE 3:1 SHEET 1 OF 1 REV A

X-ON Electronics

Largest Supplier of Electrical and Electronic Components

Click to view similar products for [Pluggable Terminal Blocks](#) category:

Click to view products by [TE Connectivity](#) manufacturer:

Other Similar products are found below :

[57.404.7553](#) [57.504.0053.7](#) [57.510.0053](#) [57.910.6153](#) [01.112.1453](#) [CTB932VE/6](#) [MC 1.5/ 6-ST-3.5 GY AU](#) [ET02015000J0G](#) [734-104](#) [734-302](#) [734-304](#) [8-141-P](#) [FKCT 2.5/ 3-ST KMGY](#) [860505](#) [860508](#) [860516](#) [860810](#) [861908](#) [GBPACX-12](#) [93.731.4953.0](#) [PV05-5,08-K](#) [PVP02-5,00](#) [PVP04-3,50](#) [PVS02-5,00](#) [1-1986160-3](#) [H-10](#) [1546228-5](#) [ELFP03110](#) [ELVP03100](#) [ELXH03100](#) [ELXP041G0](#) [ELXT046G0](#) [1700101](#) [1700410](#) [1703243](#) [1703634](#) [1705229](#) [1710175](#) [1714537](#) [1717806](#) [1719600](#) [1728941](#) [1729386](#) [1734692](#) [1734795](#) [1736036](#) [1740194](#) [1740291](#) [1740628](#) [1740990](#)