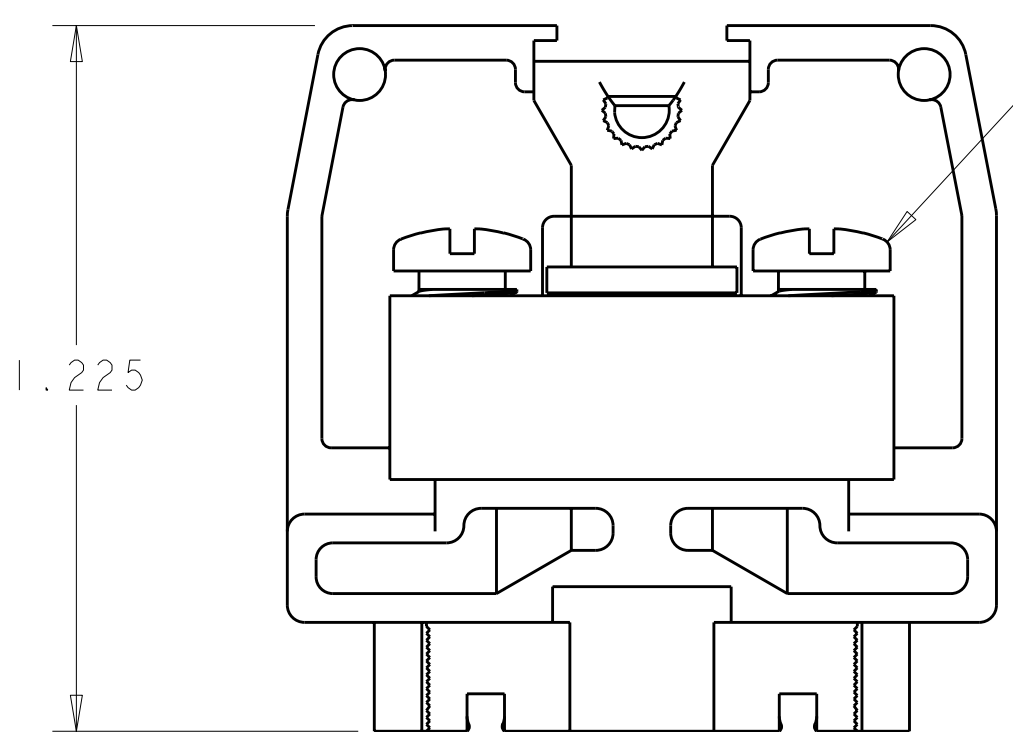
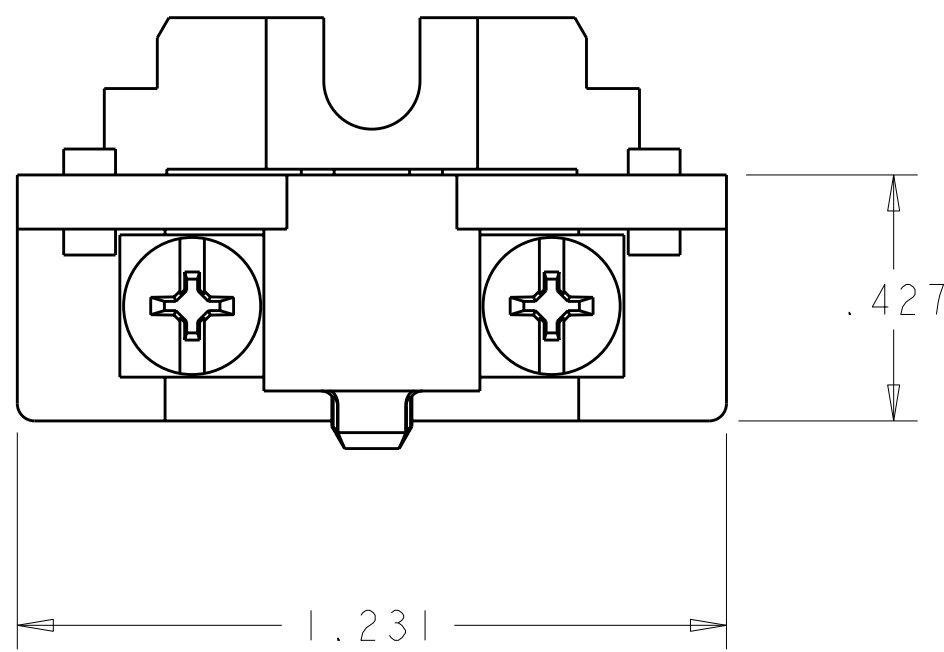


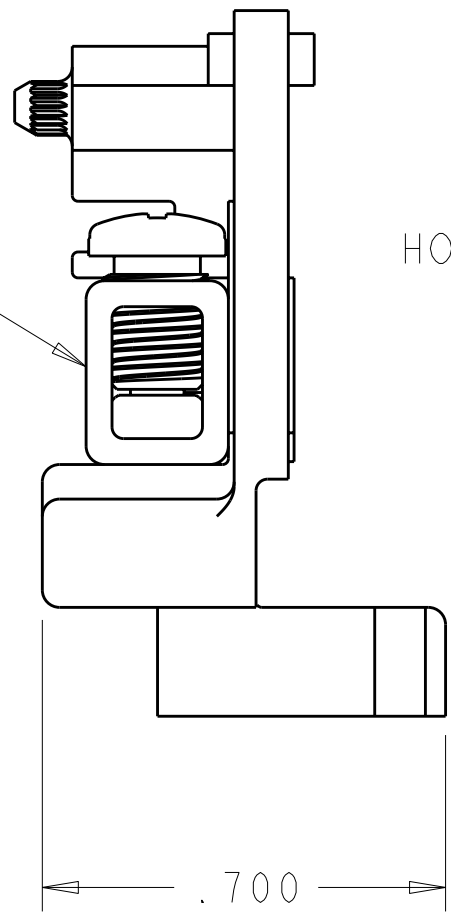
THIS DRAWING IS UNPUBLISHED. RELEASED FOR PUBLICATION 20
 © COPYRIGHT 20 BY - ALL RIGHTS RESERVED.

LOC	DIST	REVISIONS			
P	LTR	DESCRIPTION	DATE	DWN	APVD
FT	0				
		DI	REVISED PER ECO-11-005027	18MAR2011	RK HMR

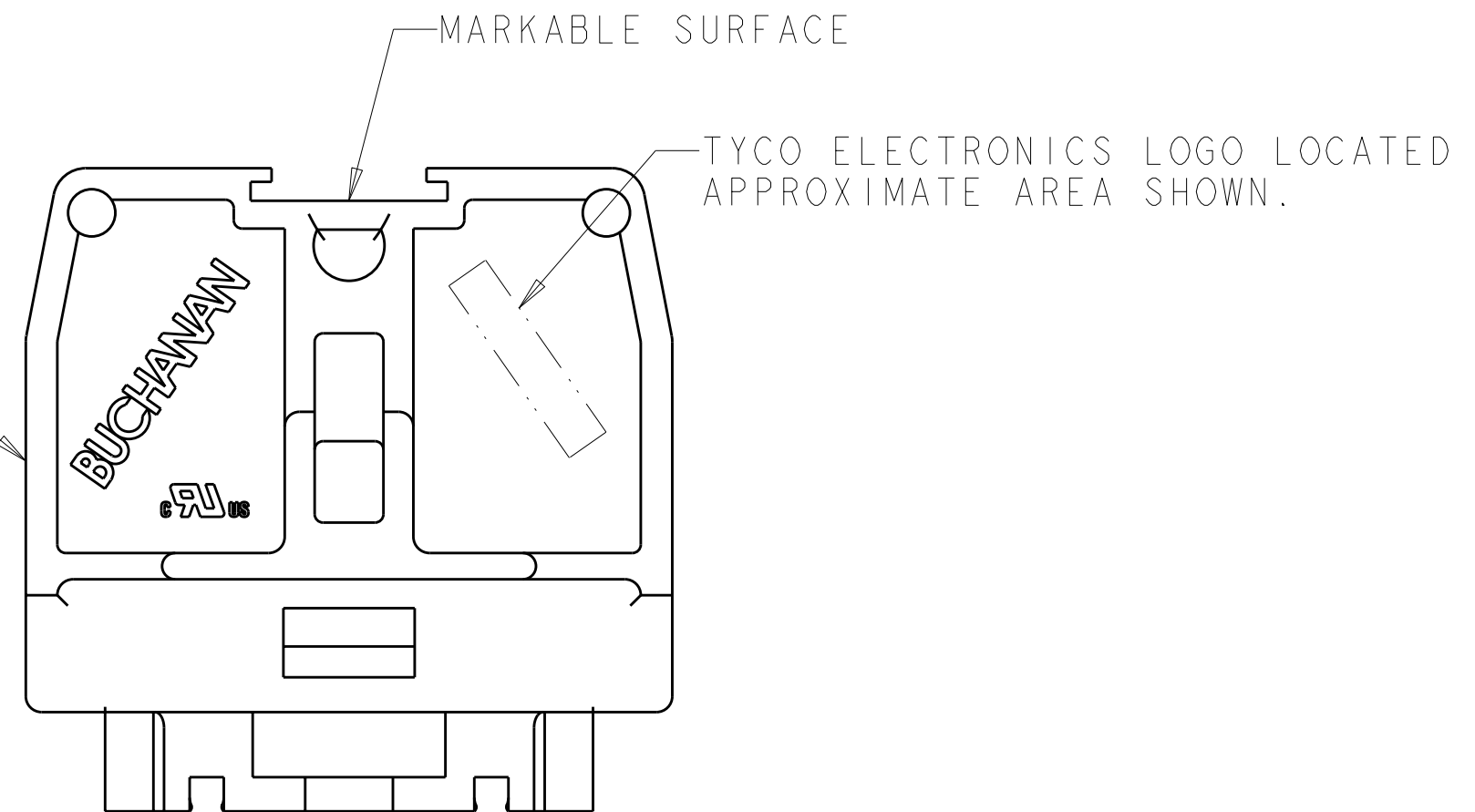


10-32 SCREW ASSY
 QTY: 2

TUBULAR CONTACT



HOUSING



1. PHYSICAL PROPERTIES (STANDARD)
 HOUSING: POLYESTER, UL 94V-0 RATED, COLOR: GRAY.
 TUBULAR CONTACT: COPPER ALLOY, ZINC PLATED.
 SCREW ASSY - SCREW: COPPER ALLOY, ZINC PLATED CLEAR CHROMATE.
 CUP CLAMP: COPPER ALLOY, UNPLATED.

2. PHYSICAL PROPERTIES (DURAMAX)
 HOUSING: POLYESTER, UL 94V-0 RATED, COLOR: GRAY.
 TUBULAR CONTACT: COPPER ALLOY, NICKEL PLATED.
 SCREW ASSY - SCREW: COPPER ALLOY, NICKEL PLATED.
 CUP CLAMP: COPPER ALLOY, NICKEL PLATED.

3. MECHANICAL
 PITCH: .375
 MOUNTING: DIRECT MOUNT OR MINIATURE CHANNEL.
 OPERATING TEMPERATURE: 150°C MAX.
 TORQUE: RECOMMENDED TIGHTENING TORQUE IS 8 IN-LBS.

4. ELECTRICAL
 MAXIMUM CURRENT: 30A
 OPERATING VOLTAGE: 600 V
 WIRE RANGE: 10-22 AWG.

2	1546234-2
1	1546234-1
MATERIAL / FINISH	PART NUMBER

THIS DRAWING IS A CONTROLLED DOCUMENT.		DWN S. WELDON 15JAN2002	STE TE Connectivity	
DIMENSIONS: INCHES		CHK S. YODER 15JAN2002		
TOLERANCES UNLESS OTHERWISE SPECIFIED:		APVD S. YODER 15JAN2002	NAME ASSEMBLY, TERMINAL BLOCK, NEMA, FLAT BASE, MEDIUM DUTY, TUBULAR CLAMP	
0 PLC ±		PRODUCT SPEC	SIZE CAGE CODE DRAWING NO RESTRICTED TO	
1 PLC ±		APPLICATION SPEC	A200779 C-1546234	
2 PLC ±		WEIGHT	SCALE 3:1 SHEET 1 OF 1 REV DI	
3 PLC ±.010				
4 PLC ±				
ANGLES ±				
FINISH				
SEE TABLE		CUSTOMER DRAWING		

X-ON Electronics

Largest Supplier of Electrical and Electronic Components

Click to view similar products for [Fixed Terminal Blocks](#) category:

Click to view products by [TE Connectivity](#) manufacturer:

Other Similar products are found below :

[MBE-1512](#) [MBE-154](#) [MBE-156](#) [MBES-153](#) [MBES-156](#) [MH-2512](#) [MHE-132](#) [MHE-163](#) [MI-254 \(35\)](#) [MI-272](#) [880507](#) [MPT-275](#)
[15602-04-08-21](#) [ELM023100](#) [BA311TU](#) [BA411SU](#) [MV-152](#) [MV-252-D](#) [MV-253/NCNOC](#) [MV-254-D](#) [MV-255](#) [MV-462](#) [MV-493](#) [MVE-](#)
[252](#) [MVE-253](#) [MVE-273](#) [MVEB-153](#) [1700096](#) [1705142](#) [1712417](#) [1713020](#) [1713088](#) [1745195](#) [1760594](#) [1776118-2](#) [1790852](#) [1-796689-8](#)
[1-796692-6](#) [1800001](#) [1800114](#) [1995279](#) [20020314-C121B01LF](#) [CB2-12](#) [KP03215000J0G](#) [KP04215000J0G](#) [S451](#) [282802-2](#) [29.007](#) [29.116](#)
[30.103](#)