

THIS DRAWING IS UNPUBLISHED. RELEASED FOR PUBLICATION
 © COPYRIGHT - By - ALL RIGHTS RESERVED.

| LOC | | DIST | | REVISIONS | | | |
|-----|-----|---------------------------|--|-----------|-----|------|--|
| P | LTR | DESCRIPTION | | DATE | DWN | APVD | |
| H2 | | REVISED PER ECO-11-004587 | | 11MAR11 | RK | HMR | |

| LOC | DIST | P | LTR | DESCRIPTION | DATE | DWN | APVD | DIM B | DIM A | NO. OF POS. | PART NO. |
|------|------|---|-----|-------------|------|-----|------|-------|-------|-------------|-------------|
| - | - | - | - | - | - | - | - | 180.7 | 188.2 | 18 | 1-1546306-8 |
| - | - | - | - | - | - | - | - | 171.2 | 178.7 | 17 | 1-1546306-7 |
| - | - | - | - | - | - | - | - | 161.7 | 169.2 | 16 | 1-1546306-6 |
| △△△△ | - | - | - | - | - | - | - | 152.2 | 159.7 | 15 | 6-1546306-2 |
| - | - | - | - | - | - | - | - | 152.2 | 159.7 | 15 | 1-1546306-5 |
| - | - | - | - | - | - | - | - | 142.7 | 150.2 | 14 | 1-1546306-4 |
| - | - | - | - | - | - | - | - | 133.2 | 140.7 | 13 | 1-1546306-3 |
| △△ | - | - | - | - | - | - | - | 123.7 | 131.2 | 12 | 4-1546306-0 |
| △△ | - | - | - | - | - | - | - | 123.7 | 131.2 | 12 | 3-1546306-3 |
| - | - | - | - | - | - | - | - | 123.7 | 131.2 | 12 | 1-1546306-2 |
| △ | - | - | - | 11 | - | - | - | 114.2 | 121.7 | 11 | 5-1546306-2 |
| △△ | - | - | - | - | 2 | - | - | 114.2 | 121.7 | 11 | 3-1546306-4 |
| △ | - | - | - | - | - | - | - | 114.2 | 121.7 | 11 | 3-1546306-1 |
| - | - | - | - | - | - | - | - | 114.2 | 121.7 | 11 | 1-1546306-1 |
| △ | - | - | - | - | - | - | 10 | 104.7 | 112.2 | 10 | 6-1546306-0 |
| △△ | - | - | - | - | - | - | - | 104.7 | 112.2 | 10 | 5-1546306-8 |
| - | - | - | - | - | - | - | - | 104.7 | 112.2 | 10 | 1-1546306-0 |
| △△△ | - | 4 | 9 | - | - | - | - | 95.2 | 102.7 | 9 | 6-1546306-3 |
| △△ | - | - | - | - | - | - | - | 95.2 | 102.7 | 9 | 5-1546306-6 |
| - | - | - | - | - | - | - | - | 95.2 | 102.7 | 9 | 1546306-9 |
| - | - | - | - | - | - | - | 8 | 85.7 | 93.2 | 8 | 5-1546306-9 |
| △△ | - | - | - | - | - | - | - | 85.7 | 93.2 | 8 | 3-1546306-9 |
| - | - | - | - | - | - | - | - | 85.7 | 93.2 | 8 | 1546306-8 |
| △△ | - | - | - | - | - | - | - | 76.2 | 83.7 | 7 | 5-1546306-5 |
| △ | - | - | - | 1 | - | - | 7 | 76.2 | 83.7 | 7 | 5-1546306-0 |
| - | - | - | - | - | - | - | - | 76.2 | 83.7 | 7 | 4-1546306-5 |
| △ | - | - | - | - | - | - | - | 76.2 | 83.7 | 7 | 3-1546306-7 |
| - | - | - | - | - | - | - | - | 76.2 | 83.7 | 7 | 1546306-7 |
| △△ | - | - | - | - | - | - | - | 66.7 | 74.2 | 6 | 5-1546306-4 |
| △△ | - | - | - | - | - | 1 | 6 | 66.7 | 74.2 | 6 | 4-1546306-9 |
| - | - | - | - | - | 6 | - | - | 66.7 | 74.2 | 6 | 4-1546306-8 |
| - | - | - | - | - | - | - | - | 66.7 | 74.2 | 6 | 4-1546306-4 |
| △ | - | - | - | - | - | - | 6 | 66.7 | 74.2 | 6 | 3-1546306-6 |
| - | - | - | - | - | - | - | - | 66.7 | 74.2 | 6 | 1546306-6 |
| △ | - | - | - | - | - | - | 5 | 57.2 | 64.7 | 5 | 5-1546306-7 |
| △ | - | 5 | 5 | - | - | - | - | 57.2 | 64.7 | 5 | 5-1546306-3 |
| △△ | - | - | - | - | - | - | - | 57.2 | 64.7 | 5 | 4-1546306-7 |
| - | - | - | - | - | - | - | - | 57.2 | 64.7 | 5 | 4-1546306-3 |
| △ | - | - | - | - | - | - | - | 57.2 | 64.7 | 5 | 3-1546306-5 |
| - | - | - | - | - | - | - | - | 57.2 | 64.7 | 5 | 1546306-5 |
| - | - | - | - | - | - | - | - | 57.2 | 64.7 | 5 | 4-1546306-2 |
| △△ | - | - | - | - | - | - | - | 47.7 | 55.2 | 4 | 3-1546306-8 |
| - | - | - | - | - | - | - | - | 47.7 | 55.2 | 4 | 1546306-4 |
| - | - | 3 | 3 | - | - | - | - | 38.2 | 45.7 | 3 | 6-1546306-1 |
| - | - | - | - | - | - | - | - | 38.2 | 45.7 | 3 | 5-1546306-1 |
| - | - | - | - | - | - | - | - | 38.2 | 45.7 | 3 | 1546306-3 |
| △ | - | - | - | - | - | 2 | 2 | 28.7 | 36.2 | 2 | 4-1546306-6 |
| - | - | - | - | - | 2 | 2 | 2 | 28.7 | 36.2 | 2 | 4-1546306-1 |
| - | - | - | - | - | - | - | - | 28.7 | 36.2 | 2 | 1546306-2 |

△△ SCREW ON ONE SIDE

| | | | | | | | | | | | | | | | | | |
|-------|-----------------------|-----------------------|----------------------|----------|----------------------------|----------------------------|-----------------------------|----------------------------|----------------------------|-----------------------------|------------------------|----------------------------|-----------------------------|-------|-------|-------------|----------|
| NOTES | ⑬ QC TAB .187 SS FLAT | ⑫ QC TAB .187 SS FLAT | ⑪ QC TAB .187 SS 90° | ⑩ JUMPER | ⑨ QC TAB DBL SIDE 90° .250 | ⑧ QC TAB DBL SIDE 45° .250 | ⑦ QC TAB DBL SIDE FLAT .250 | ⑥ QC TAB DBL SIDE 90° .187 | ⑤ QC TAB DBL SIDE 45° .187 | ④ QC TAB DBL SIDE FLAT .187 | ③ QC TAB SGL SIDE .250 | ② QC TAB SGL SIDE 45° .250 | ① QC TAB SGL SIDE FLAT .250 | DIM B | DIM A | NO. OF POS. | PART NO. |
|-------|-----------------------|-----------------------|----------------------|----------|----------------------------|----------------------------|-----------------------------|----------------------------|----------------------------|-----------------------------|------------------------|----------------------------|-----------------------------|-------|-------|-------------|----------|

THIS DRAWING IS A CONTROLLED DOCUMENT.

| | | |
|------------------|--|--------------|
| DWN | S SCHLEGEL | 20AUG2002 |
| CHK | C RICHARD | 8/20/02 |
| APVD | C RICHARD | 8/20/02 |
| PRODUCT SPEC | 9.50MM (.374) DBL ROW BARRIER STRIP W/O WASHER | |
| APPLICATION SPEC | - | |
| WEIGHT | - | - |
| CUSTOMER DRAWING | SCALE NTS | SHEET 1 OF 3 |

SIZE A2 CAGE CODE 00779 DRAWING NO. C=1546306 RESTRICTED TO -

THIS DRAWING IS UNPUBLISHED. RELEASED FOR PUBLICATION
 © COPYRIGHT - By - ALL RIGHTS RESERVED.

| LOC | DIST | REVISIONS | | | |
|-----|------|-------------|------|-----|------|
| P | LTR | DESCRIPTION | DATE | DWN | APVD |
| - | - | SEE SHEET 1 | - | - | - |

PHYSICAL PROPERTIES:
 HOUSING MATERIAL: THERMOPLASTIC, PC
 FLAMMABILITY: UL94V-0 COLOR: BLACK
 MAX BOW/WARP: .0056 IN/IN.

TERMINAL:
 TERMINALS: BRASS, TIN PLATED
 SCREWS: 6-32, STEEL, NICKEL PLATED

MECHANICAL:
 PITCH (TERMINAL SPACING): 9.50mm(.374")
 WIRE RANGE: 12-22 AWG
 RECOMMENDED TIGHTENING TORQUE: 12IN-LBS MAX.

ELECTRICAL PROPERTIES:
 MAXIMUM CURRENT: 20A
 OPERATING VOLTAGE: 300V

ENVIRONMENTAL PROPERTIES:
 OPERATING TEMP RANGE: -40°C TO +120°C.


- ① SEE FIGURE.
- ② MARKED WITH WHITE INK.
- ③ PRELIMINARY PART NUMBER.
- ④ SCREWS AND TERMINALS ARE NICKEL PLATED BRASS.
- ⑤ STAINLESS STEEL SCREWS.
- ⑥ SCREWS ARE NICKEL PLATED BRASS.
- ⑦ WIRE CLAMP SCREWS TO BE USED ONLY ON SIDE OPPOSITE QC TABS.
- ⑧ TE CONNECTIVITY LOGO LOCATED APPROXIMATE AREA SHOWN.

-- SELECT LOAD CHART --

| | | | | | | | | | | | | | |
|-----------------------|----------------------|----------|----------------------------|----------------------------|-----------------------------|----------------------------|----------------------------|-----------------------------|----------------------------|----------------------------|-----------------------------|-------------|-------------|
| - | - | 4-5,5-6 | - | - | - | - | ALL | - | - | - | - | 11 | 3-1546306-4 |
| - | - | - | - | - | - | - | ALL | 1-3 | - | - | - | 10 | 6-1546306-0 |
| - | - | 1,2 | - | - | - | ALL | - | - | - | - | - | 7 | 5-1546306-0 |
| - | - | - | - | - | 1 | ALL | - | - | - | - | - | 6 | 4-1546306-9 |
| ⑫ QC TAB .187 SS FLAT | ⑪ QC TAB .187 SS 90° | ⑩ JUMPER | ⑨ QC TAB DBL SIDE 90° .250 | ⑧ QC TAB DBL SIDE 45° .250 | ⑦ QC TAB DBL SIDE FLAT .250 | ⑥ QC TAB DBL SIDE 90° .187 | ⑤ QC TAB DBL SIDE 45° .187 | ④ QC TAB DBL SIDE FLAT .187 | ③ QC TAB SGL SIDE 90° .250 | ② QC TAB SGL SIDE 45° .250 | ① QC TAB SGL SIDE FLAT .250 | NO. OF POS. | PART NUMBER |
| POSITIONS LOADED | | | | | | | | | | | | | |

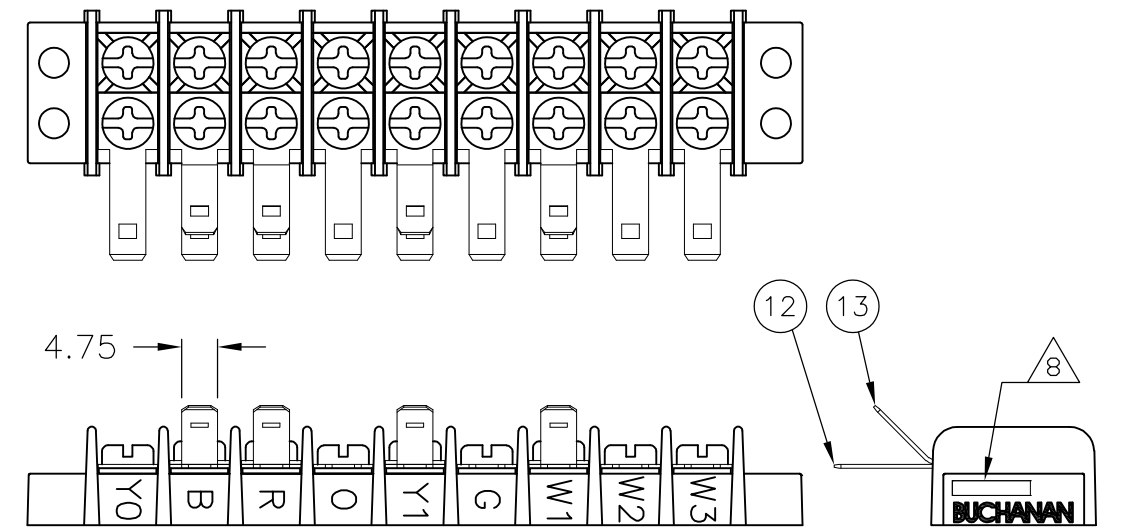
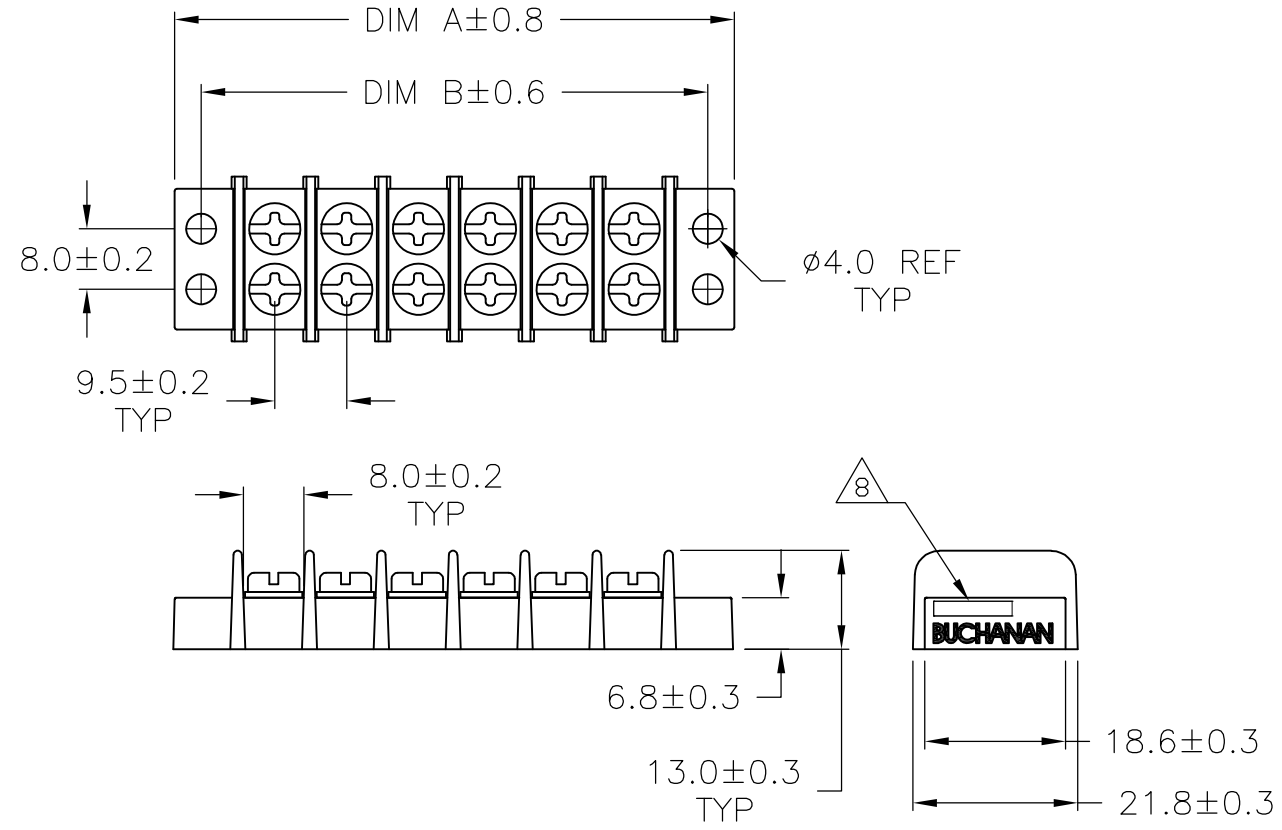
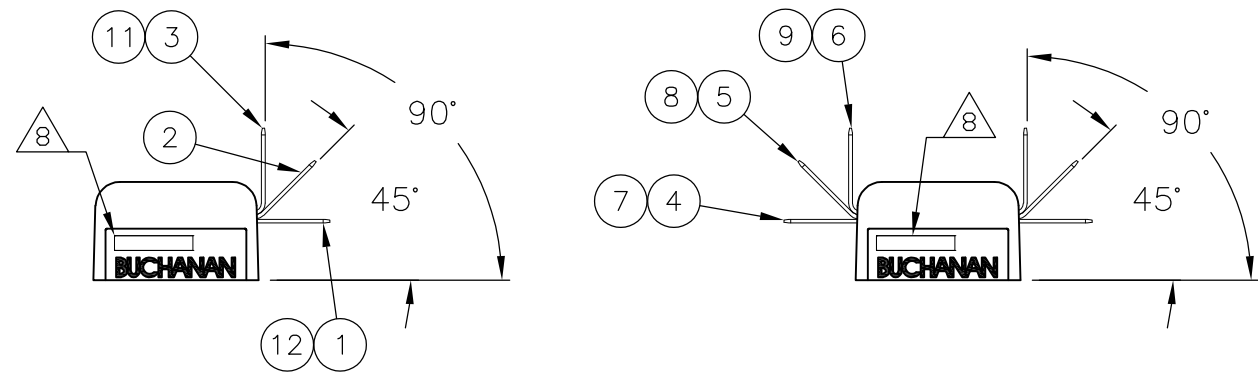
| | | | | | | | | | | | | | | | | | |
|----------------|-----------------------|-----------------------|----------------------|----------|----------------------------|----------------------------|-----------------------------|----------------------------|----------------------------|-----------------------------|----------------------------|----------------------------|-----------------------------|-------|-------|-------------|-------------|
| - | - | - | - | - | - | - | - | - | - | - | - | - | - | 294.7 | 302.2 | 30 | 3-1546306-0 |
| - | - | - | - | - | - | - | - | - | - | - | - | - | - | 285.2 | 292.7 | 29 | 2-1546306-9 |
| - | - | - | - | - | - | - | - | - | - | - | - | - | - | 275.7 | 283.2 | 28 | 2-1546306-8 |
| - | - | - | - | - | - | - | - | - | - | - | - | - | - | 266.2 | 273.7 | 27 | 2-1546306-7 |
| - | - | - | - | - | - | - | - | - | - | - | - | - | - | 256.7 | 264.2 | 26 | 2-1546306-6 |
| - | - | - | - | - | - | - | - | - | - | - | - | - | - | 247.2 | 254.7 | 25 | 2-1546306-5 |
| - | - | - | - | - | - | - | - | - | - | - | - | - | - | 237.7 | 245.2 | 24 | 2-1546306-4 |
| - | - | - | - | - | - | - | - | - | - | - | - | - | - | 228.2 | 235.7 | 23 | 2-1546306-3 |
| - | - | - | - | - | - | - | - | - | - | - | - | - | - | 218.7 | 226.2 | 22 | 2-1546306-2 |
| - | - | - | - | - | - | - | - | - | - | - | - | - | - | 209.2 | 216.7 | 21 | 2-1546306-1 |
| ①② SPL MARKING | - | - | - | - | - | - | - | - | - | - | - | - | - | 199.7 | 207.2 | 20 | 3-1546306-2 |
| - | - | - | - | - | - | - | - | - | - | - | - | - | - | 199.7 | 207.2 | 20 | 2-1546306-0 |
| - | - | - | - | - | - | - | - | - | - | - | - | - | - | 190.2 | 197.7 | 19 | 1-1546306-9 |
| NOTES | ⑬ QC TAB .187 SS FLAT | ⑫ QC TAB .187 SS FLAT | ⑪ QC TAB .187 SS 90° | ⑩ JUMPER | ⑨ QC TAB DBL SIDE 90° .250 | ⑧ QC TAB DBL SIDE 45° .250 | ⑦ QC TAB DBL SIDE FLAT .250 | ⑥ QC TAB DBL SIDE 90° .187 | ⑤ QC TAB DBL SIDE 45° .187 | ④ QC TAB DBL SIDE FLAT .187 | ③ QC TAB SGL SIDE 90° .250 | ② QC TAB SGL SIDE 45° .250 | ① QC TAB SGL SIDE FLAT .250 | DIM B | DIM A | NO. OF POS. | PART NO. |

THIS DRAWING IS A CONTROLLED DOCUMENT.

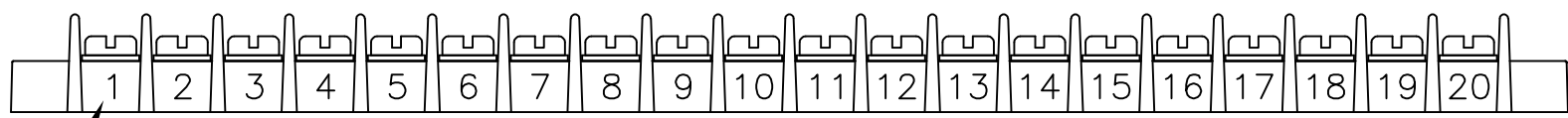
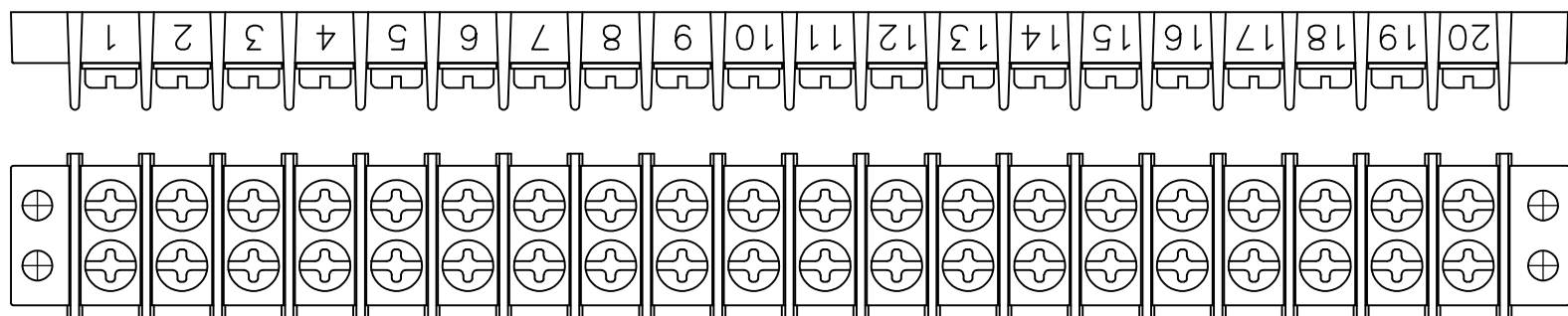
| | |
|--------------------------------|---|
| DWN S SCHLEGEL 20AUG2002 |  TE Connectivity |
| CHK C RICHARD 8/20/02 | |
| APVD C RICHARD 8/20/02 | |
| PRODUCT SPEC | |
| APPLICATION SPEC | NAME 9.50MM (.374) DBL ROW BARRIER STRIP W/O WASHER |
| WEIGHT - | SIZE A2 |
| CUSTOMER DRAWING | CAGE CODE 00779 |
| | DRAWING NO 1546306 |
| | RESTRICTED TO - |
| | SCALE NTS |
| | SHEET 2 of 3 |
| | REV H2 |

THIS DRAWING IS UNPUBLISHED. RELEASED FOR PUBLICATION
 © COPYRIGHT - By - ALL RIGHTS RESERVED.

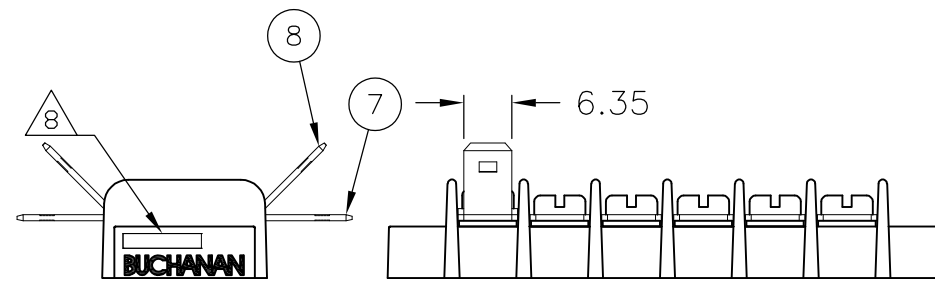
| LOC | | DIST | | REVISIONS | | | |
|-----|-----|-------------|------|-----------|------|--|--|
| P | LTR | DESCRIPTION | DATE | DWN | APVD | | |
| - | - | SEE SHEET 1 | - | - | - | | |



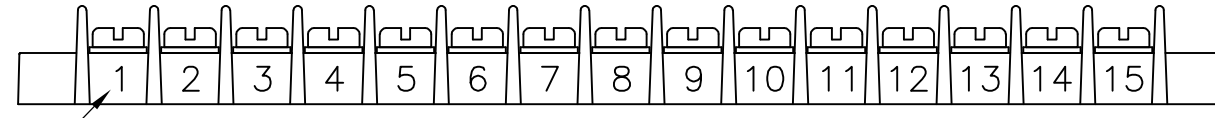
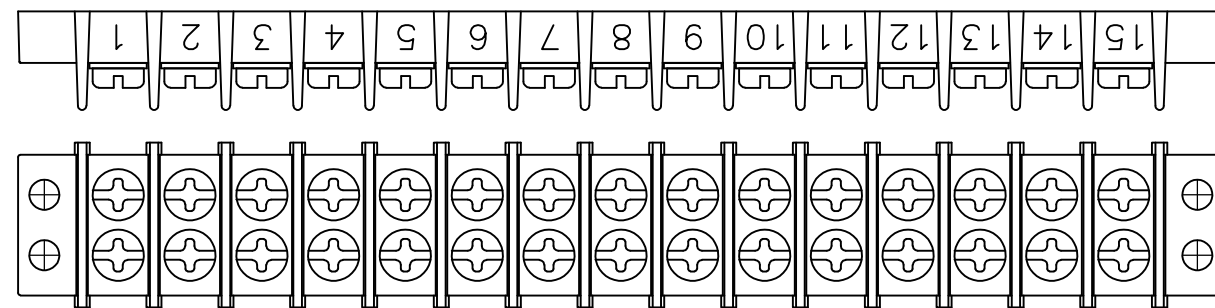
6-1546306-3



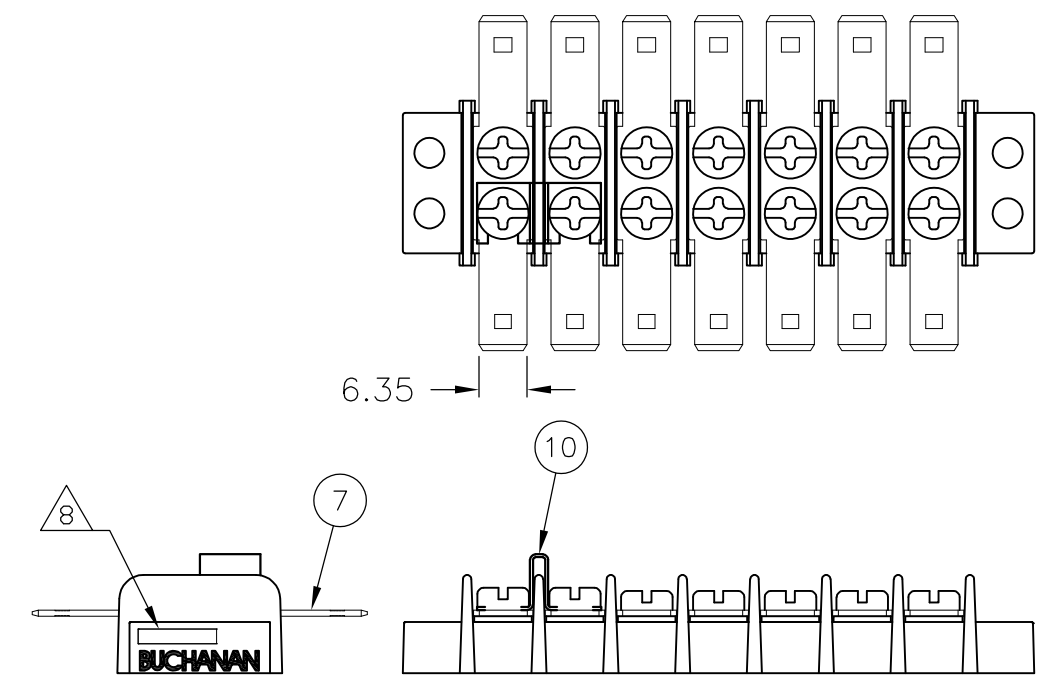
3-1546306-2



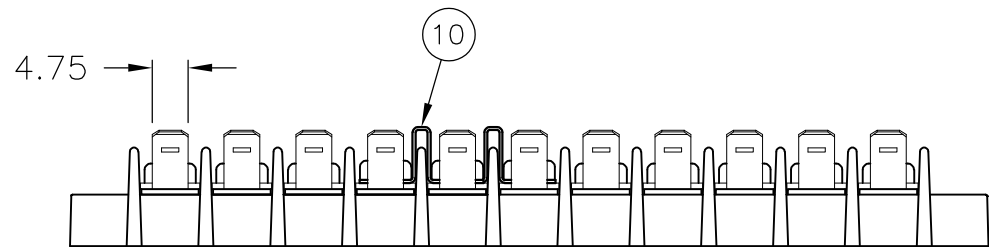
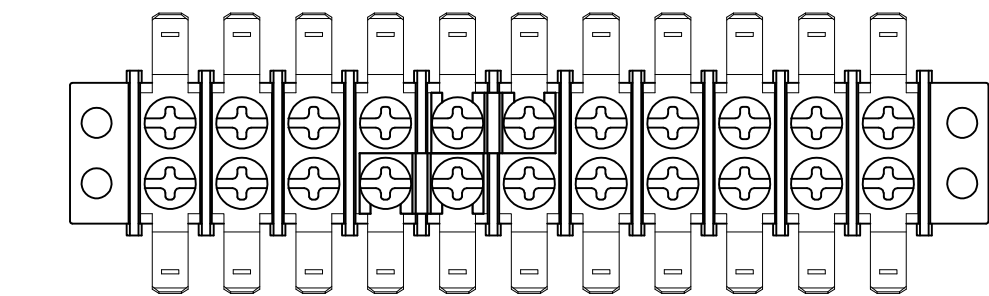
4-1546306-9



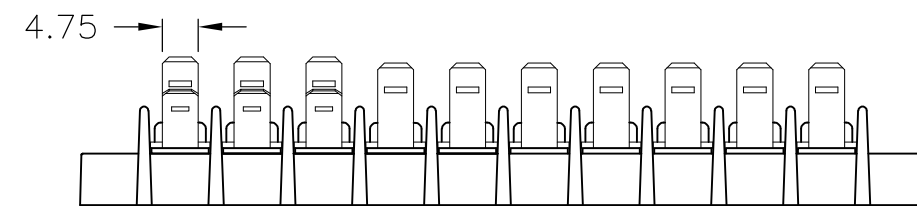
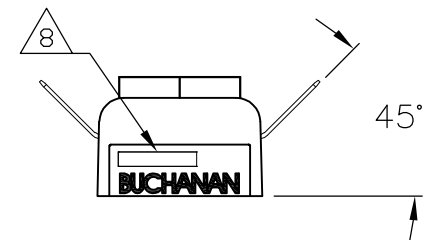
6-1546306-2



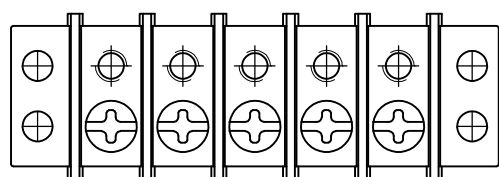
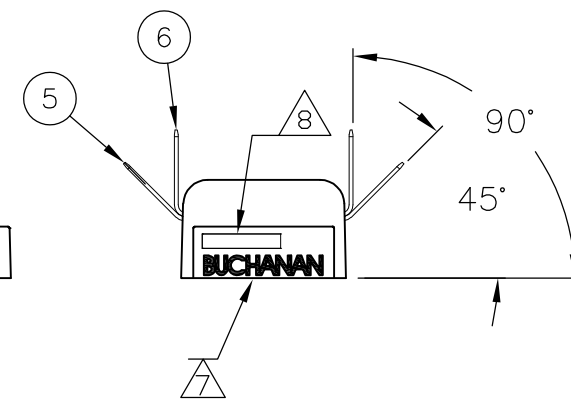
5-1546306-0



3-1546306-4



6-1546306-0



4-1546306-7

| | | | | | |
|--|--|------------------|-----------|--|--|
| THIS DRAWING IS A CONTROLLED DOCUMENT. | | DWN | 20AUG2002 | TE TE Connectivity | |
| DIMENSIONS: MM | | S | SCHLEGEL | | |
| TOLERANCES UNLESS OTHERWISE SPECIFIED: | | CHK | 8/20/02 | NAME 9.50MM (.374) DBL ROW BARRIER STRIP W/O WASHER | |
| 0 PLC ± - | | C | RICHARD | | |
| 1 PLC ± 0.3 | | APVD | 8/20/02 | SIZE A2 | |
| 2 PLC ± 0.25 | | PRODUCT SPEC | | | |
| 3 PLC ± - | | APPLICATION SPEC | | CAGE CODE 00779 | |
| 4 PLC ± - | | | | | |
| ANGLES ± 2° | | WEIGHT | - | DRAWING NO C=1546306 | |
| FINISH | | | | | |
| MATERIAL | | CUSTOMER DRAWING | | RESTRICTED TO - | |
| | | | | | |
| | | SCALE | NTS | SHEET 3 OF 3 | |
| | | | | REV H2 | |

X-ON Electronics

Largest Supplier of Electrical and Electronic Components

Click to view similar products for [Barrier Terminal Blocks](#) category:

Click to view products by [TE Connectivity](#) manufacturer:

Other Similar products are found below :

[CR151D20104](#) [670A-RZ-15-KT20](#) [6C1N03](#) [6PCR-02](#) [6PCR-02-008](#) [6PCR-05-008](#) [6PCR-08-008](#) [6PCR-09-008](#) [6PCR-13-006](#) [6PCR-15-006](#) [6PCR-21-006](#) [6PCV-06-008](#) [6PCV-06-716](#) [6PCV-09-001](#) [6PCV-10-009](#) [6PCV-15-008](#) [6PCV-17-1206](#) [6PCV-20-323](#) [6PCV-30-006](#) [6STR-06-006](#) [6STR-08-006](#) [6STR-12-008](#) [6STR-13-006](#) [6STR-14-008](#) [6STR-16-008](#) [6STR-17-008](#) [6STR-21-008](#) [6STR-25-008](#) [6STR-27-008](#) [6STV-03-006](#) [6STV-03-008](#) [6STV-04-006](#) [6STV-09-006](#) [6STV-10-006](#) [6WWR-03-693](#) [6WWV-12-008](#) [6WWV-16-008](#) [72212603](#) [72504-C-50](#) [72506-C](#) [72507-C-50](#) [73203](#) [75505-C](#) [75505-C-50](#) [75510-C](#) [77010-50](#) [7C1N08](#) [812-GP-3/4ST-09](#) [8-1437402-5](#) [8-1437402-7](#)