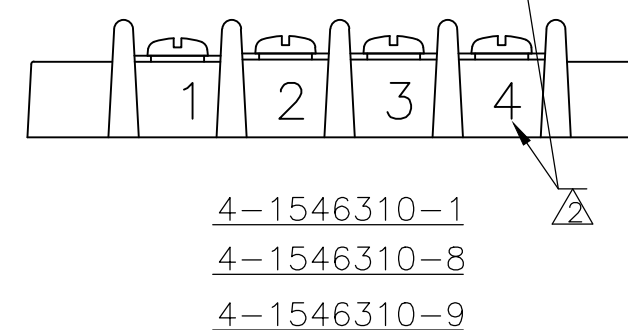
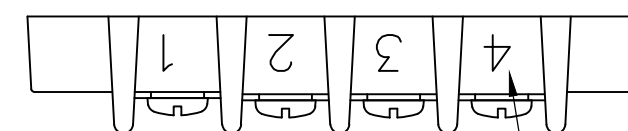
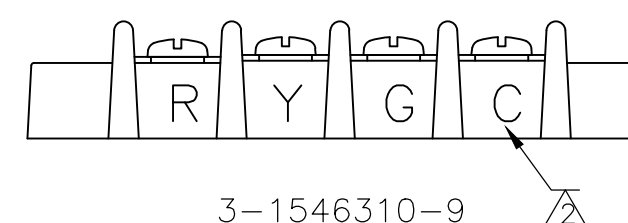
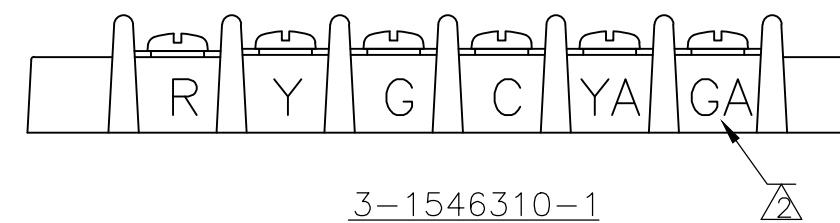
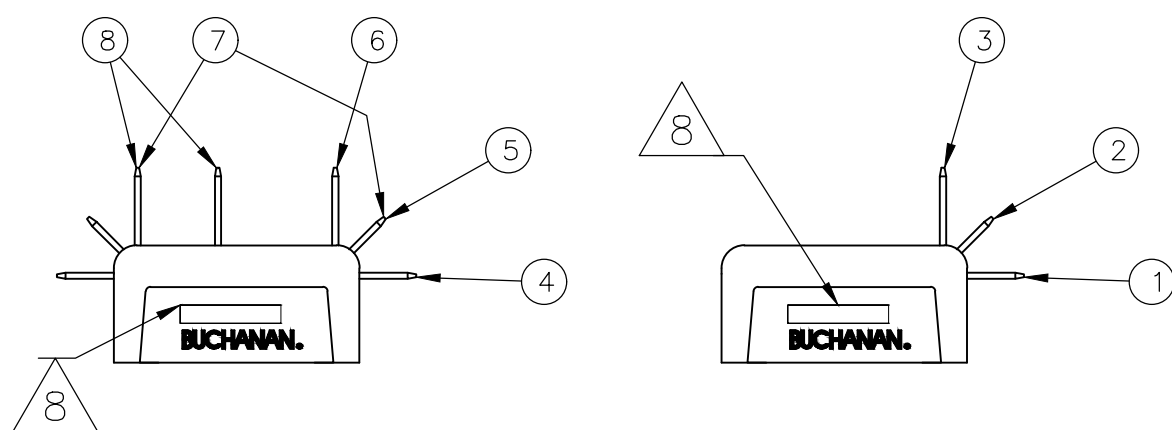
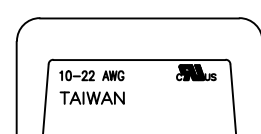
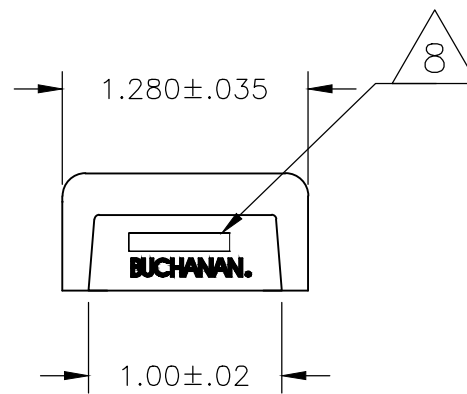
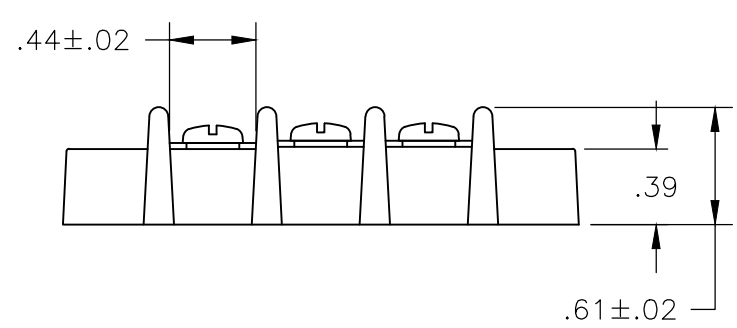
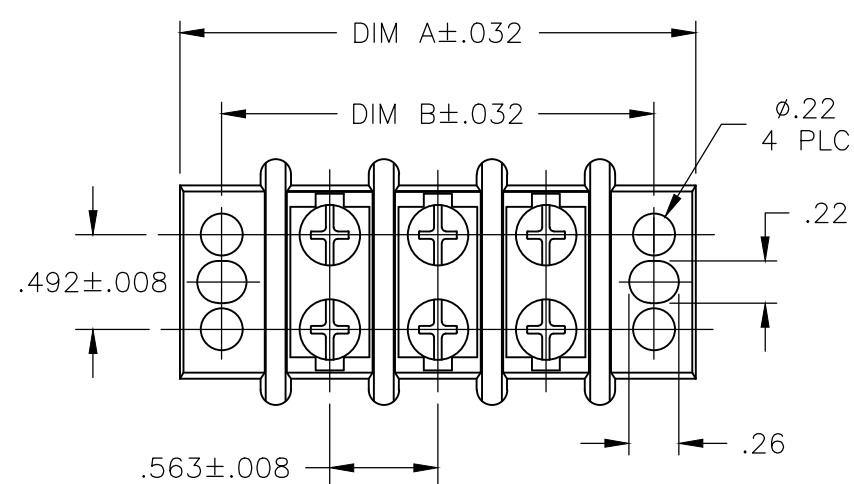


THIS DRAWING IS UNPUBLISHED. RELEASED FOR PUBLICATION
 © COPYRIGHT - By - ALL RIGHTS RESERVED.

REVISIONS				
P	LTR	DESCRIPTION	DATE	APVD
-	-	SEE SHEET 1	-	-



REV	DESCRIPTION	DATE	BY	CHKD	APVD	QTY	POSN	DIM B	DIM A	NO. OF POSN	PART NUMBER
2						2		1.693	2.130		5-1546310-1
								10.701	11.138	18	1-1546310-8
								10.138	10.575	17	1-1546310-7
								9.575	10.012	16	1-1546310-6
								9.012	9.449	15	1-1546310-5
6						14	14	8.449	8.886	14	4-1546310-9
								8.449	8.886	14	1-1546310-4
NOTES	9 OTB JUMPER	8 .250 QC TAB 90° DOUBLE SIDE	7 .250 QC TAB 90°/45° DOUBLE SIDE	6 .250 QC TAB 90° DOUBLE SIDE	5 .250 QC TAB 45° DOUBLE SIDE	4 .250 QC TAB STRAIGHT DOUBLE SIDE	3 .250 QC TAB 90° SINGLE SIDE	2 .250 QC TAB 45° SINGLE SIDE	1 .250 QC TAB STRAIGHT SINGLE SIDE		

THIS DRAWING IS A CONTROLLED DOCUMENT.

DIMENSIONS: INCHES

TOLERANCES UNLESS OTHERWISE SPECIFIED:

0 PLC	± -
1 PLC	± -
2 PLC	± -
3 PLC	± -
4 PLC	± -
ANGLES	± -

MATERIAL: - FINISH: -

APPROVALS:

DWN	S SCHLEGEL	16FEB2007
CHK	S YODER	2/16/07
APVD	S YODER	2/16/07

PRODUCT SPEC: - APPLICATION SPEC: - WEIGHT: -

CUSTOMER DRAWING

TE Connectivity Ltd.

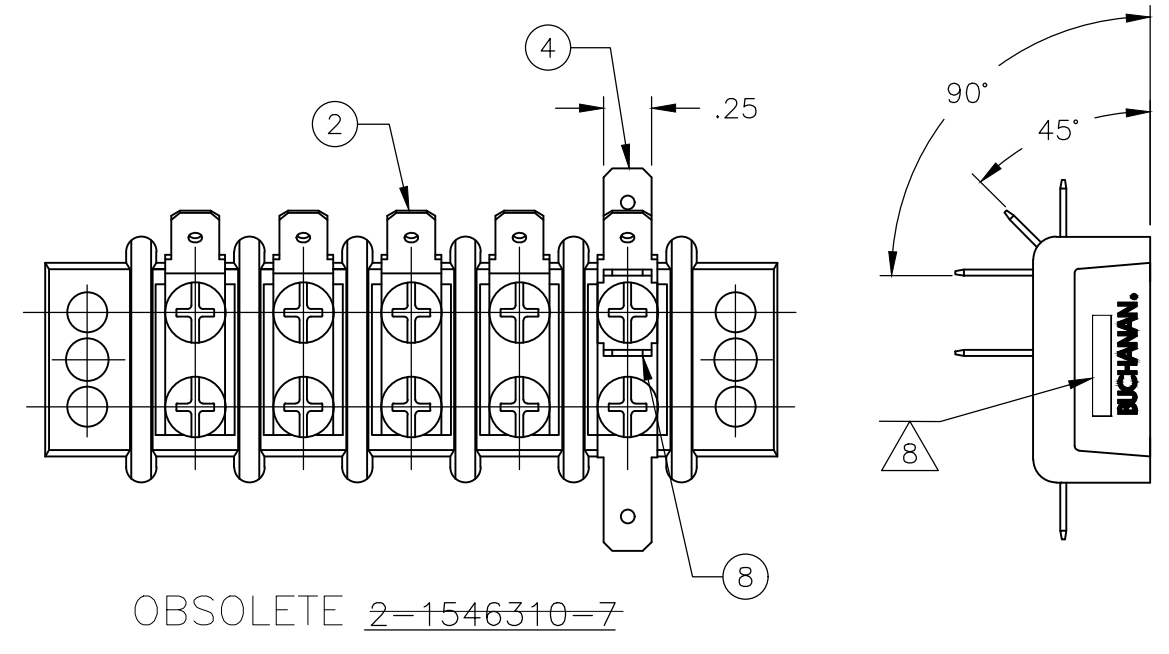
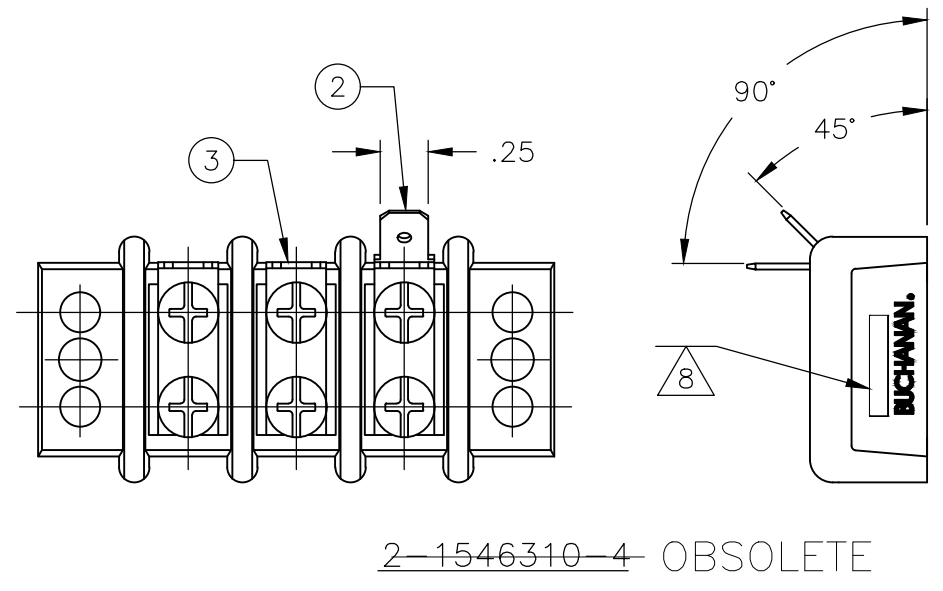
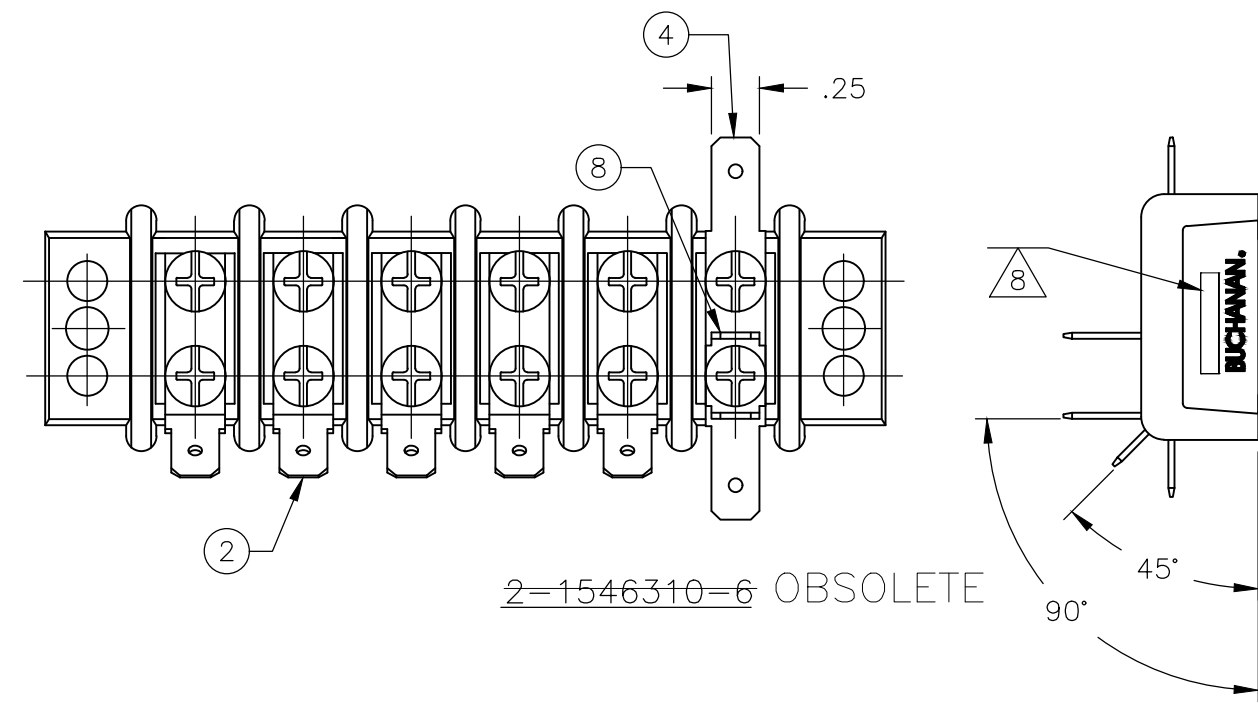
14.3 (.563) DBL ROW BARRIER STRIP W/O WASHER

SIZE: A2 CAGE CODE: 00779 DRAWING NO: C=1546310 RESTRICTED TO: -


SCALE: NTS SHEET: 2 OF 4 REV: T5

THIS DRAWING IS UNPUBLISHED. RELEASED FOR PUBLICATION
 © COPYRIGHT - By - ALL RIGHTS RESERVED.

REVISIONS					
P	LTR	DESCRIPTION	DATE	DWN	APVD
-	-	SEE SHEET 1	-	-	-



1546310

THIS DRAWING IS A CONTROLLED DOCUMENT.		DWN S SCHLEGEL 16FEB2007	 TE Connectivity Ltd.	
DIMENSIONS: INCHES		CHK S YODER 2/16/07		
TOLERANCES UNLESS OTHERWISE SPECIFIED:		APVD S YODER 2/16/07	NAME 14.3 (.563) DBL ROW BARRIER STRIP W/O WASHER	
0 PLC ± - 1 PLC ± - 2 PLC ± - 3 PLC ± - 4 PLC ± - ANGLES ± -		PRODUCT SPEC -	SIZE A2	CAGE CODE 00779
MATERIAL -		FINISH -	DRAWING NO C=1546310	RESTRICTED TO -
CUSTOMER DRAWING		WEIGHT -	SCALE NTS	SHEET 3 OF 4
			REV T5	

4

3

2


1

THIS DRAWING IS UNPUBLISHED. RELEASED FOR PUBLICATION
 © COPYRIGHT - By - ALL RIGHTS RESERVED.

REVISIONS				
P	LTR	DESCRIPTION	DATE	APVD
-	-	SEE SHEET 1	-	-

4-1546310-7 OBSOLETE

5-1546310-1

THIS DRAWING IS A CONTROLLED DOCUMENT.		DWN S SCHLEGEL 16FEB2007	 TE Connectivity Ltd.																			
DIMENSIONS: INCHES		CHK S YODER 2/16/07																				
TOLERANCES UNLESS OTHERWISE SPECIFIED:		APVD S YODER 2/16/07	NAME 14.3 (.563) DBL ROW BARRIER STRIP W/O WASHER																			
<table border="1"> <tr> <td>0 PLC</td> <td>±</td> <td>-</td> </tr> <tr> <td>1 PLC</td> <td>±</td> <td>-</td> </tr> <tr> <td>2 PLC</td> <td>±</td> <td>-</td> </tr> <tr> <td>3 PLC</td> <td>±</td> <td>-</td> </tr> <tr> <td>4 PLC</td> <td>±</td> <td>-</td> </tr> <tr> <td>ANGLES</td> <td>±</td> <td>-</td> </tr> </table>		0 PLC	±	-	1 PLC	±	-	2 PLC	±	-	3 PLC	±	-	4 PLC	±	-	ANGLES	±	-	PRODUCT SPEC -	SIZE A2	
0 PLC	±	-																				
1 PLC	±	-																				
2 PLC	±	-																				
3 PLC	±	-																				
4 PLC	±	-																				
ANGLES	±	-																				
MATERIAL -		FINISH -	APPLICATION SPEC -	CAGE CODE 00779																		
		WEIGHT -	DRAWING NO C=1546310	RESTRICTED TO -																		
CUSTOMER DRAWING			SCALE NTS	SHEET 4 OF 4																		
			REV T5																			

1471-9 (1/15)

1546310

□

A

X-ON Electronics

Largest Supplier of Electrical and Electronic Components

Click to view similar products for [Barrier Terminal Blocks](#) category:

Click to view products by [TE Connectivity](#) manufacturer:

Other Similar products are found below :

[CR151D20104](#) [670A-RZ-15-KT20](#) [6C1N03](#) [6PCR-02](#) [6PCR-02-008](#) [6PCR-05-008](#) [6PCR-08-008](#) [6PCR-09-008](#) [6PCR-13-006](#) [6PCR-15-006](#) [6PCR-21-006](#) [6PCV-06-008](#) [6PCV-06-716](#) [6PCV-09-001](#) [6PCV-10-009](#) [6PCV-15-008](#) [6PCV-17-1206](#) [6PCV-20-323](#) [6PCV-20-720](#) [6PCV-30-006](#) [6STR-06-006](#) [6STR-08-006](#) [6STR-12-008](#) [6STR-13-006](#) [6STR-14-008](#) [6STR-16-008](#) [6STR-17-008](#) [6STR-21-008](#) [6STR-25-008](#) [6STR-27-008](#) [6STV-03-006](#) [6STV-03-008](#) [6STV-04-006](#) [6STV-09-006](#) [6STV-10-006](#) [6WWR-03-693](#) [6WWV-12-008](#) [72212603](#) [72504-C-50](#) [72506-C](#) [72507-C-50](#) [73203](#) [75505-C](#) [75505-C-50](#) [75510-C](#) [77010-50](#) [7C1N08](#) [812-GP-3/4ST-09](#) [8-1437402-5](#) [8PCR-06-006](#)